



HOLMBURY
PRODUCT CATALOGUE
Quick Release Couplings

www.holmbury.com



Introducing our Product Catalogue

Quick Release Couplings & Valves

The Holmbury Group is a family-run hydraulics company with our head office located in Tonbridge, United Kingdom. Holmbury was established in 1984 by David French and quickly became recognised for our high quality and reliable products. The company is best known for its innovative flat face coupling design, launched in 1984, which became the preferred quick release coupling solution for many heavy construction equipment OEMs. The flat face design limits the inclusion of air and contaminants, whilst preventing fluid loss during disconnection.

Today Holmbury is a global provider of hydraulic quick release couplings, valves and other hydraulic components. In 2003, driven by the need to respond rapidly to worldwide customer demand, Holmbury set up their North American operation, now located in Eastlake, Ohio. In 2021 Holmbury opened up a new warehouse facility, in the Netherlands, to enhance service to their European customers.

WHY CHOOSE HOLMBURY?



Design and Engineering

Holmbury's products are designed by engineers with years of experience, insight and know-how. Holmbury maintains strict control of manufacturing function, and meets even the most demanding customer specifications. Holmbury utilises the advantages of global manufacturing expertise to provide customers with timely, precise and cost-effective solutions.



Quality Certifications

All Holmbury products are subject to rigorous laboratory and field testing, and each product conforms to strict manufacturing standards.



Delivery

Holmbury is dedicated to supplying quality products to our customers as quickly as possible by offering next-day service domestically and world-wide shipping via our international logistics partners.



Stock/Inventory

Holmbury prides itself on holding extensive stock of our fast-moving items at sites throughout the world. The global market place has varying and fluctuating demands, therefore, not all products are available from stock and may also be specific to a region.

| HOLMBURY | | 2 |
|-----------------------------|--|----------|
| Quick Reference Glossary | | 4 |
| Safety Do's and Don'ts | | 5 |
| Seals and Temperature Range | | 6 |
| Materials | | 6 |
| Accessories | | 7 |
| Holmbury Part Coding System | | 8 |
| Recommended Torque Settings | | 10 |

| FLAT FACE COUPLINGS | | 12 |
|----------------------------|--|-----------|
| HQ Series | | 14 |
| HSS Series | | 18 |
| HCP Series | | 22 |
| H90/HQ90 Series | | 24 |
| H45 Series | | 26 |
| HP Series | | 28 |
| FFC Series | | 30 |
| EZFFC Series | | 32 |
| HDB Series | | 34 |
| HDSL Series | | 36 |
| DTP Series | | 38 |

| MULTI-COUPLING | | 40 |
|-----------------------|--|-----------|
| MC Series | | 40 |

| POPPET / BALL TYPE COUPLINGS | | 42 |
|-------------------------------------|--|-----------|
| IA, IAZ Series | | 44 |
| IAS Series | | 47 |
| IB, IBZ Series | | 50 |
| IBB Series | | 53 |
| IBS Series | | 56 |
| F (Nordic) Series | | 58 |
| FS Series | | 60 |
| HTN Series | | 62 |
| KM 115, KM 116 Series | | 64 |

| AGRICULTURAL COUPLINGS | | 66 |
|-------------------------------|--|-----------|
| DINV, DNVZ Series | | 68 |
| DINB, DNBZ Series | | 70 |
| PCP, PPB, PPV Series | | 72 |
| P-Clamp Series | | 74 |
| P Series | | 76 |
| IAP Series | | 78 |
| IAPC Series | | 80 |
| TB Series | | 82 |

| SCREW TO CONNECT | | 84 |
|-------------------------|--|-----------|
| HFT Series | | 86 |
| FSC Series | | 90 |
| RK Series | | 92 |
| HSC Series | | 96 |
| HS Series | | 98 |
| SHS Series | | 100 |
| PSP, PSB Series | | 102 |
| PLC Series | | 104 |
| PTC Series | | 106 |
| PTS Series | | 109 |
| SP, SPS Series | | 112 |
| TC Series | | 114 |
| WSC Series | | 116 |
| LC Series | | 118 |

| PRESSURE WASHER COUPLINGS | | 120 |
|----------------------------------|--|------------|
| PWC Series | | 122 |
| PWS Series | | 124 |
| HFB, HFS, HFC, Series | | 126 |

| ROTARY COUPLINGS & SWIVEL JOINTS | | 128 |
|---|--|------------|
| CRIL Series | | 130 |
| CR90 Series | | 132 |
| SSIL Series | | 134 |
| SS90 Series | | 136 |

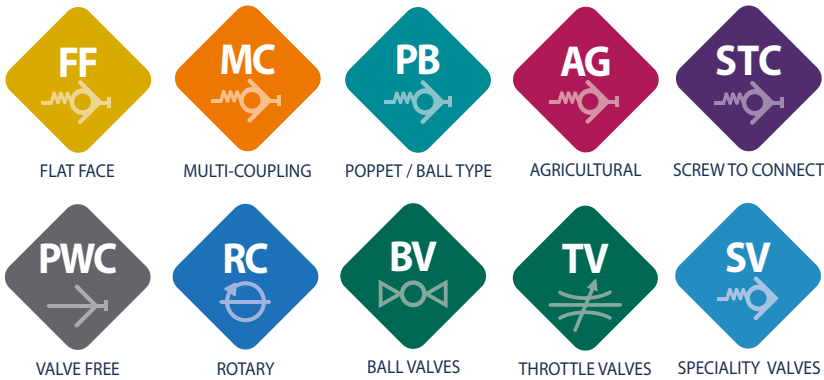
| HOLMBURY | | 138 |
|----------------------|--|------------|
| Terms and Conditions | | 138 |

QUICK REFERENCE ICON GLOSSARY

APPLICATIONS



PRODUCTS

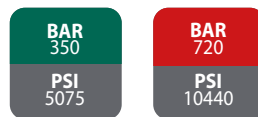


For further information about Holmbury Valve range contact sales office.

MATERIALS



PRESSURE



Colour of icon represents:
■ MEDIUM PRESSURE
■ HIGH PRESSURE

GLOSSARY TECH



STANDARD



BODY



THREAD



SIZE



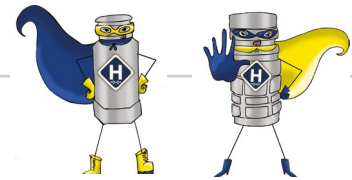
ACCESSORIES

(Colour of icon represents)



- DUST CAPS & PLUGS
- PARKING STATIONS
- SEAL KITS
- REPAIR KITS
- VALVE HANDLES & LOCKING NUTS
- MOUNTING FLANGES

Note: Some product images shown in this catalogue are a digital representation and therefore the finished product appearance may differ slightly to that supplied.



SAFETY GUIDELINES - DO'S AND DON'TS

THE ESSENTIAL DO'S



- **ALWAYS** wipe the two mating faces clean before connecting.
- **ALWAYS** use genuine Holmbury Dust Caps and Plugs when the couplings are disconnected.
- **ALWAYS** check that pressure has been released before connecting or disconnecting.
- **ALWAYS** align the external locking ball (if fitted) with notch in the locking sleeve and then pull the locking sleeve back fully to disconnect. Sticking is normally caused by dirt in the coupling or physical damage due to abuse.
- **ALWAYS** connect and disconnect new couplings two or three times to work the seals. Sometimes a new coupling will stick if the seals have not been worked.
- **ALWAYS** apply the spanner or grips only to the hexagon/flats and nowhere else when fitting couplings.
- **ALWAYS** avoid damage to the coupling faces. Burrs and scratches cause damage to the seals and cause leaks. They can also impede connection and disconnection of the couplings.
- **ALWAYS** periodically lubricate the internal locking balls on the female half of the coupling with silicone grease.
- **ALWAYS** protect your hydraulic system with a good quality filter. Adequate filtration ensures the oil remains free of contaminants that can damage internal seals of couplings.

THE ESSENTIAL DONT'S



- **NEVER** connect and disconnect with pressure in the line, unless the coupling type is specifically designed to do so.
- **NEVER** attempt to reconnect using a damaged half coupling as this will destroy the seals in the mating half and necessitate replacement of both halves.
- **NEVER** leave the coupling where it may be run over by a vehicle or otherwise crushed. This will distort the sleeve and prevent connection and disconnection.
- **NEVER** try to turn the sleeve when the coupling is disconnected since this may cause the locking ball to jam under the locking sleeve and damage the coupling.
- **NEVER** try to strip a flat faced coupling down. There are no user serviceable parts. If the coupling is damaged it should be replaced with a new coupling.
- **NEVER** hit the centre poppet of the coupling to try and release locked in pressure. This can cause irreparable damage to the coupling and serious injury. For applications with trapped in pressure consult Holmbury.
- **NEVER** clamp on the sleeve of the female or nose of the male when fitting couplings - this will cause distortion and damage.
- **NEVER** subject the couplings to external forces, especially side load. This can reduce the life of the coupling or cause failure.
- **NEVER** allow hose torsional forces to act on the couplings. Utilise Holmbury rotary couplings.
- **NEVER** use a coupling as a blank or pressurise disconnected.

IMPORTANT!

FOR THE CARE AND OPERATION OF HOLMBURY QUICK RELEASE COUPLINGS

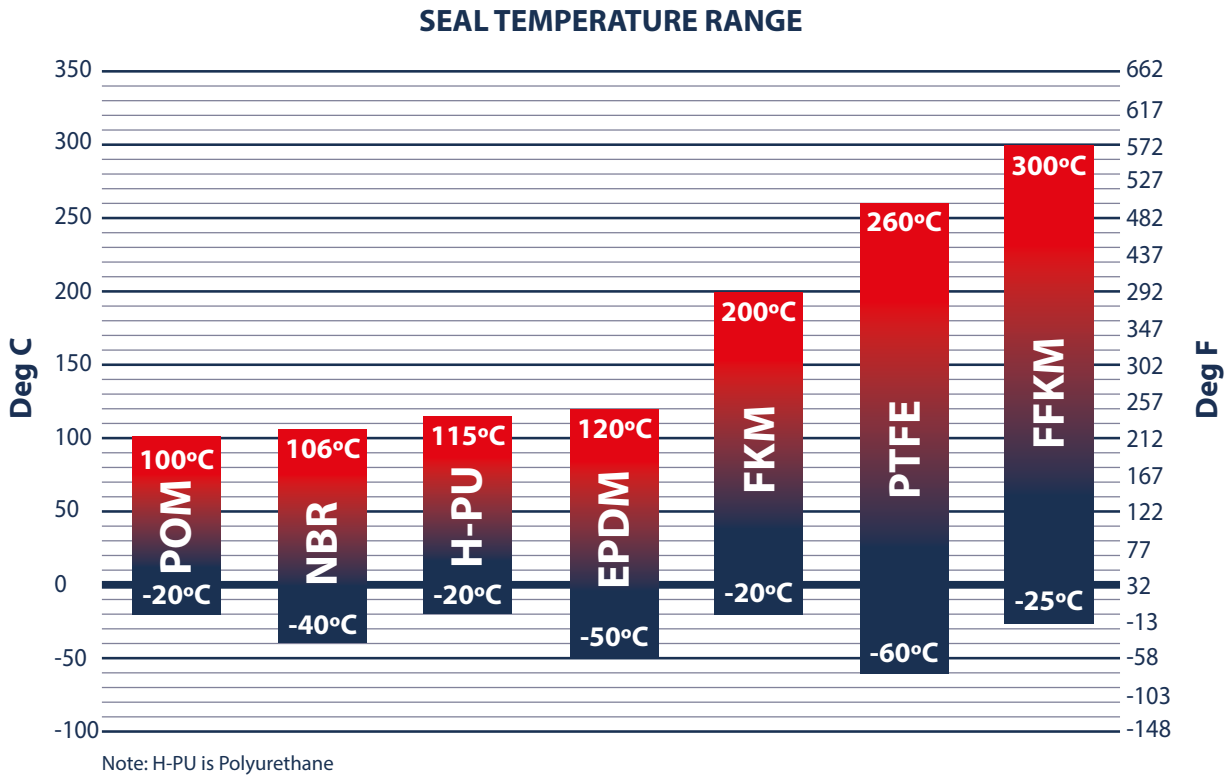
CAUTION: It is important that users of the Quick Release Couplings read the following safety guidelines. Improper use of the Holmbury products can lead to severe injury and damage to equipment.

Since Holmbury has no control over the use and application of its products it cannot accept liability for any injury, loss or damage arising directly or indirectly from the use of its products. Information taken from this brochure is intended to serve as a guide only.

Customers should, through appropriate tests, satisfy themselves that the products are suitable for their intended use.

AVAILABLE SEALS AND TEMPERATURE RANGE

All carbon steel products have NBR Butadiene Rubber (NBR) seals fitted as standard.
 All stainless steel products have FKM seals fitted as standard.



MATERIALS

Holmbury products are supplied in range of materials proven to meet the demanding environments of our customers and their applications. Exotic materials such as Monel and others available on request (subject to minimum manufacturing quantities).

CARBON STEEL TRIVALENT Carbon steel with trivalent plating provides a wide temperature range, excellent chemical resistance and prevents red rust for up to 100 hours.

BRASS Brass offers excellent corrosion resistance. A wide temperature range and non-sparking properties are additional benefits.

CARBON STEEL ZINC NICKEL Carbon steel with superior zinc nickel plating, provides a wide temperature range, excellent chemical resistance and prevents red rust for over 1200 hours.

STAINLESS STEEL Stainless steel has exceptional corrosion resistance, a wide temperature range, excellent chemical resistance and an aesthetically pleasing surface finish.

ALL PERFORMANCE CHARACTERISTICS STATED ARE IN ACCORDANCE WITH ISO 18869.

ACCESSORIES INFORMATION

DUST CAPS AND PLUGS

Dust Caps and Plugs are available in either PVC, aluminium, or stainless steel. Dust Caps and Plugs protect the couplings and valves from ingress of dirt and contaminants.



PARKING STATIONS

Constructed from trivalent plated carbon steel. Parking Stations are used to safely secure one half of the coupling to equipment when not connected.



SEAL KITS

Seal Kits supplied in a range of materials including FKM, NBR and FFKM, dependent on Series. Enabling the user to replace or upgrade existing seals to increase the lifespan of the coupling.



REPAIR KITS

Repair Kits for the HSC Series. These kits enable all components within the HSC Series to be replaced, increasing the coupling lifespan. The Repair Kits include replacement poppets, springs, seals and collets. Appropriate tools are also provided to fit the replacement parts. See the Holmbury website for instructional videos on replacing parts.



MOUNTING FLANGES

The flanges are either made from machined or pressed plated steel, dependant on body size. Designed for mounting the male half onto bulkheads.



VALVE ACCESSORIES

Valve Handles for a range of Ball Valve Series and sizes.

Replacement straight, offset or customised handles are available.

Valve Locking Kits for a range of Ball Valve Series and sizes. These are used to lock the handle in a set position so that it cannot be tampered with.



HOLMBURY PART CODING SYSTEM

The Holmbury part identification system provides a means of categorising parts by product series within the International Standards Organisation for hydraulic components. Primarily devised for quick release couplings the system has been adapted to other product series offered by the Holmbury Group.

This Part Coding System is for standard materials and seal type by Product Series.

See the specific Product Series pages for alternative materials, seals and thread types such as bulkhead connections.

The Holmbury part identification system adheres to the following format: **PSBS-G-TS-TT-TG** (as shown below).

| Product Code Configurator Options | | | | | |
|---|---|--------|--|---|------------------|
| PS | BS | G | TS | TT | TG |
| Product Series (Product Code) | Body Size* | Gender | Thread Size* | Thread Type | Thread Gender |
| Flat Face (HQ, HSS, HCP, H90, HQ90, H45, HP, FFC, EZFFC, HDB, HDSL, DTP, MC) | 04 = 1/8 06 = 1/4 08 = 5/16 10 = 3/8 12 = 1/2 16 = 5/8 19 = 3/4 25 = 1 32 = 1 1/4 40 = 1 1/2 50 = 2 | F M | 02 = 1/8 04 = 1/4 06 = 3/8 08 = 1/2 10 = 5/8 12 = 3/4 16 = 1 20 = 1 1/4 24 = 1 1/2 32 = 2 | G = BSPP N = NPTF S = SAE J = JIC FS = ORFS R = BSPT M = Metric | F= Blank M |
| Poppet / Ball (IA, IAZ, IAS, IB, IBZ, IBB, IBS, F, FS, HTN, KM) | | | | | |
| Agricultural (DINV, DNVZ, DINB, DNBZ, IAP, P, TB, IAPC) | | | | | |
| Screw to Connect (HFT, RK, HSC, HS, SHS, PSP, PSB, PLC, PTC, PTS, SP, SPS, TC, WSC, LC) | | | | | |
| Pressure Washing (PWC, PWS, HFB, HFS, HFC) | | | | | |
| Rotary Couplings (CRIL, CR90, SSIL, SS90) | | | | | |

* Thread size availability is dependent on suitable body size.

HOLMBURY PART CODING SYSTEM

| | |
|-----------------|---|
| Product Series: | See each page for specific product code. |
| Body Size: | Specified as a metric value (Equivalent to Imperial Sizing). |
| Gender: | Specified as Female (F) or Male (M). The Female half is the receiving side and is commonly known as the coupling or socket. The Male half is known as the nipple, probe or plug side. (Based on national and cultural convention). On most Screw to Connect solutions this is NOT based on the gender of the thread but which half receives the poppet (For example the HS or RK series). |
| Thread Size: | Specified by numerical characters relating to the thread size which, with the exception of metric threads, is based on the dash system. |
| Thread Type: | Specified by characters relating to the thread type. |
| Thread Gender: | Specified as Male (M) as the Female is assumed (Blank). |

HOLMBURY PART CODING SYSTEM EXAMPLE

| Example: HCP12-M-08SM | | | | | |
|-----------------------|-----------|--------|-------------|-------------|---------------|
| Product Series | Body Size | Gender | Thread Size | Thread Type | Thread Gender |
| HCP | 12 | M | 8 | SAE | M |



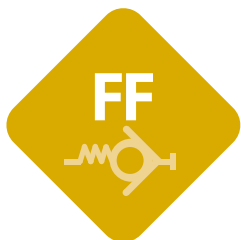
RECOMMENDED TORQUE SETTINGS

| Metric Hydraulic Connections | | | JIC & SAE Hydraulic Connections | | |
|------------------------------|-------------------|--------|---------------------------------|-------------------|--------|
| BSP Size | Tightening Torque | | Thread | Tightening Torque | |
| | Nm | lbs/ft | | Nm | lbs/ft |
| M10 | 18 | 13 | 5/16-24 | 10 | 7 |
| M12 | 20 | 15 | 3/8-24 | 10 | 7 |
| M14 | 25 | 19 | 7/16-20 | 14 | 10 |
| M16 | 45 | 33 | 1/2-20 | 20 | 15 |
| M18 | 50 | 37 | 9/16-18 | 22 | 20 |
| M20 | 70 | 52 | 5/8-18 | 27 | 20 |
| M22 | 75 | 55 | 3/4-16 | 48 | 35 |
| M26 | 110 | 81 | 7/8-14 | 81 | 60 |
| M27 | 130 | 96 | 1 1/16-12 | 108 | 79 |
| M33 | 220 | 162 | 1 3/16-12 | 136 | 100 |
| M42 | 230 | 170 | 1 5/16-12 | 148 | 108 |
| M48 | 350 | 258 | 1 5/8-12 | 173 | 127 |
| - | - | - | 1 7/8-12 | 216 | 158 |
| - | - | - | 2 1/2-12 | 334 | 245 |

| BSP Hydraulic Connections | | | O.R.F.S Hydraulic Connections | | | | |
|---------------------------|-------------------|--------|-------------------------------|------------|---------------------|-------------------|--------|
| BSP Size | Tightening Torque | | SAE Dash | Thread | Equivalent BSP Size | Tightening Torque | |
| | Nm | lbs/ft | | | | Nm | lbs/ft |
| 1/8 | 17 | 12 | -4 | 9/16-18 | 1/4 | 24 | 18 |
| 1/4 | 34 | 25 | -6 | 11/16-16 | 3/8 | 33 | 24 |
| 3/8 | 47 | 35 | -8 | 13/16-16 | 1/2 | 44 | 35 |
| 1/2 | 102 | 75 | -10 | 1-14 | 5/8 | 58 | 43 |
| 5/8 | 122 | 90 | -12 | 1 3/16-12 | 3/4 | 84 | 62 |
| 3/4 | 149 | 110 | -16 | 1 7/16-12 | 1 | 115 | 85 |
| 1 | 203 | 150 | -20 | 1 11/16-12 | 1 1/4 | 189 | 140 |
| 1 1/4 | 305 | 225 | -24 | 2-12 | 1 1/2 | 244 | 180 |
| 1 1/2 | 305 | 225 | - | - | - | - | - |
| 2 | 400 | 296 | - | - | - | - | - |

Torque settings stated are for steel components with lightly oiled threads. Figures stated should be used as a guide only. Holmbury Ltd & Holmbury Inc accept no liability with the use of these settings during installation.

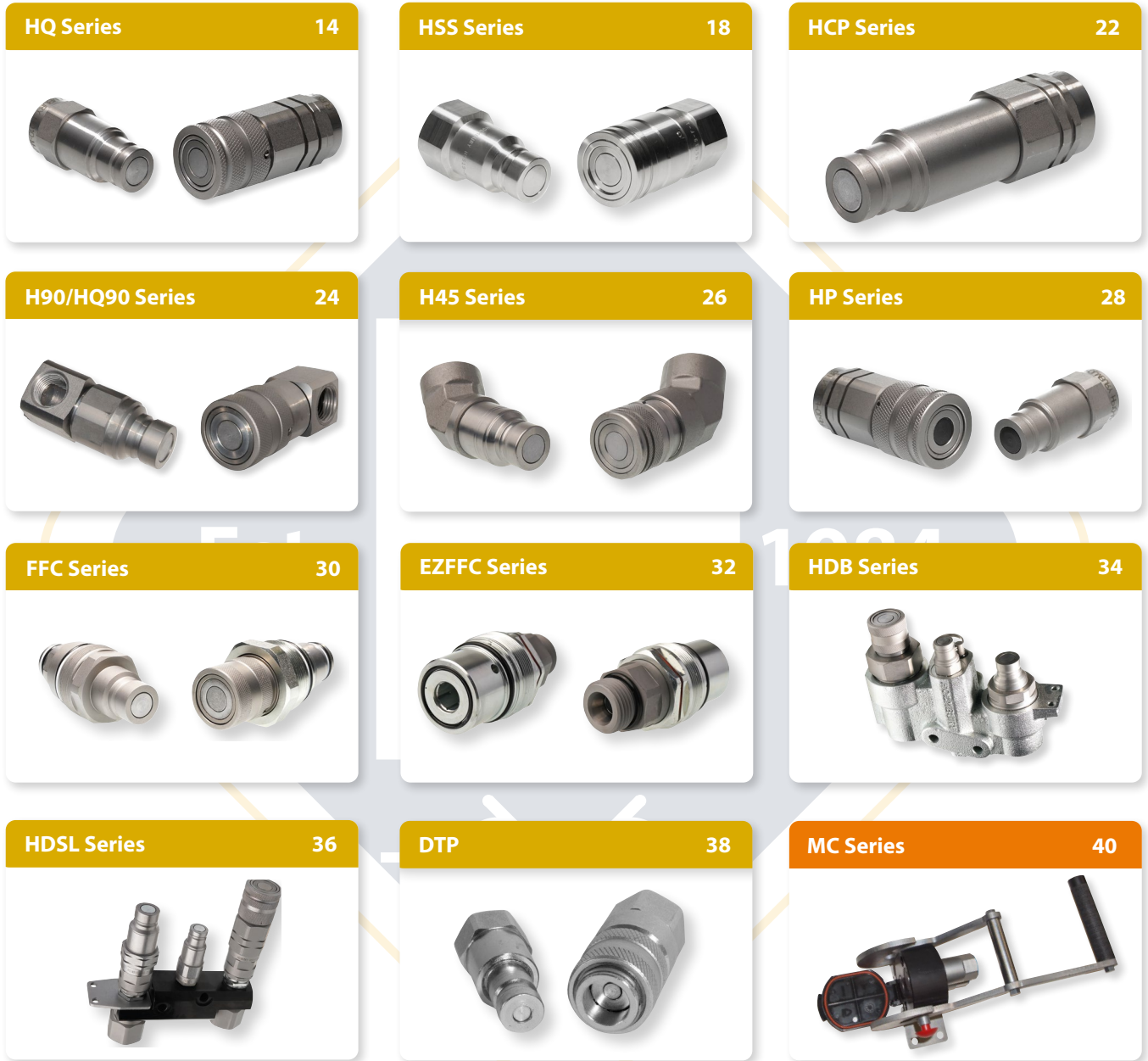




FLAT FACE COUPLINGS

Flat face couplings, including Holmbury's flagship HQ series, are renowned for high performance and easy wipe clean faces. Minimal fluid loss on disconnection. Minimal air or contaminant inclusion during connection. Safety locking sleeves included on most variants. The choice of many global OEMs.





Flat faced range of couplings for multiple applications



Flat face couplings made to the ISO 16028 Standard

HQ Series



INTRODUCTION

The HQ Series flat face couplings are Holmbury's flagship products, known globally for their leak free performance across multiple applications. The preferred choice for many global OEMs.



04-40

1/8"-2"

BSPP
NPTF
METRIC
SAE/JIC

BAR
450
PSI
6525

ISO
16028

CARBON
STEEL
ZINC
NICKEL

*Size 1/8" is not covered by the ISO 16028 Standard. Please check with office for compatibility.

CONSTRUCTION

- Carbon steel with zinc nickel plating (1200 hours with no red rust in salt spray tests)
- Fitted with NBR seals (FKM seals available)
- Also available in AISI 316 stainless steel (See HSS Series)

FEATURES

- Safety locking sleeve fitted as standard to prevent accidental disconnection
- Flat faces are easily wiped clean
- Minimal inclusion of air and contaminants during connection
- Flat face design prevents fluid loss during disconnection
- Bidirectional flow

ACCESSORIES

- Dust caps are available for the HQ Series

SPECIFICATIONS

- Operating temperatures (With NBR seals): -40°C (-40°F) to 106°C (223°F), (With FKM seals): -20°C (-4°F) to 200°C (392°F)
- Couplings have been tested to the ISO 18869 Standard

APPLICATIONS

- High pressure pulse applications
- Leak free environments
- Construction plant
- Mobile equipment
- General industrial
- Agricultural
- Skid steer loaders

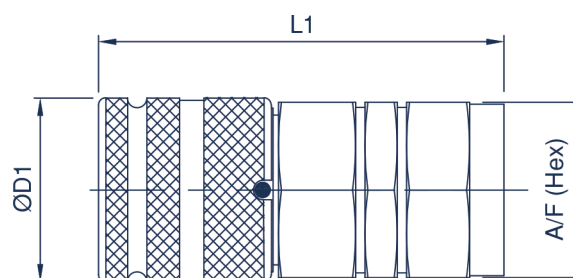
HQ PERFORMANCE CHARACTERISTICS

| Body Size | HQ04 | HQ06 | HQ10 | HQ12 | HQ16 | HQ19 | HQ25 | HQ32 | HQ40 |
|------------------------------------|-------------------------------|---------------|---------------|---------------|---------------|---------------|---------------|---------------|---------------|
| | Pressure in bar - Flow in LPM | | | | | | | | |
| | Pressure in PSI - Flow in GPM | | | | | | | | |
| Maximum working pressure (Coupled) | 450 6525 | 400 5800 | 375 5438 | 350 5075 | 350 5075 | 350 5075 | 315 4568 | 250 3625 | 250 3625 |
| Burst pressure (Coupled) | 1750 25380 | 1600 23200 | 1550 22475 | 1400 20300 | 1500 21750 | 1450 21025 | 1000 14500 | 1100 15950 | 1000 14500 |
| Burst pressure (Male) | 1750 25380 | 1850 26825 | 1200 17400 | 1300 18850 | 1200 17400 | 1100 15950 | 1000 14500 | 1200 17400 | 1000 14500 |
| Burst pressure (Female) | 1750 25380 | 1220 17690 | 1050 15225 | 1000 14500 | 1050 15225 | 1050 15225 | 1000 14500 | 1200 17400 | 1000 14500 |
| Rated flow | 3 0.8 | 12 3.2 | 23 6.1 | 45 12 | 74 19.5 | 100 26.4 | 189 50 | 250 66 | 379 100 |

CAPS ACCESSORIES

| FEMALE CAPS | MALE CAPS |
|-------------|------------|
| HQ06-F-CAP | HQ06-M-CAP |
| HQ10-F-CAP | HQ10-M-CAP |
| HQ12-F-CAP | HQ12-M-CAP |
| HQ16-F-CAP | HQ16-M-CAP |
| HQ19-F-CAP | HQ19-M-CAP |
| HQ25-F-CAP | HQ25-M-CAP |

Standard colour is red pvc, other colours available upon request



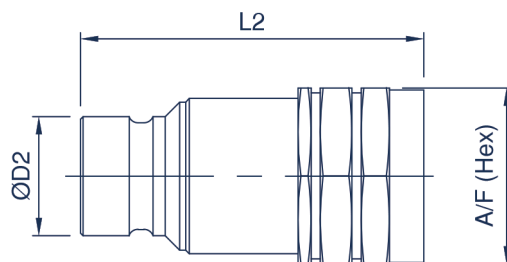
HQ FEMALE COUPLING

| Body Size | Part Number | Thread Size | D1 | | L1 | | A/F | |
|------------|-------------|--------------|-------|------|-------|------|------|------|
| | | | mm | inch | mm | inch | mm | inch |
| 04 (1/8) | HQ04-F-02G | 1/8 BSPP | 20.4 | 0.80 | 40.2 | 1.58 | 17.0 | 0.67 |
| | HQ04-F-02N | 1/8 NPTF | 20.4 | 0.80 | 40.2 | 1.58 | 17.0 | 0.67 |
| | HQ04-F-04S | 7/16-20 UNF | 20.4 | 0.80 | 40.2 | 1.58 | 17.0 | 0.67 |
| 06 (1/4) | HQ06-F-04G | 1/4 BSPP | 28.0 | 1.10 | 54.0 | 2.13 | 27.0 | 1.06 |
| | HQ06-F-04N | 1/4 NPTF | 28.0 | 1.10 | 54.0 | 2.13 | 27.0 | 1.06 |
| | HQ06-F-06S | 9/16-18 UNF | 28.0 | 1.10 | 54.0 | 2.13 | 27.0 | 1.06 |
| 10 (3/8) | HQ10-F-06G | 3/8 BSPP | 32.0 | 1.26 | 69.0 | 2.72 | 30.0 | 1.18 |
| | HQ10-F-06N | 3/8 NPTF | 32.0 | 1.26 | 69.0 | 2.72 | 30.0 | 1.18 |
| | HQ10-F-06S | 9/16-18 UNF | 32.0 | 1.26 | 69.0 | 2.72 | 30.0 | 1.18 |
| | HQ10-F-08G | 1/2 BSPP | 32.0 | 1.26 | 74.0 | 2.91 | 30.0 | 1.18 |
| | HQ10-F-08N | 1/2 NPTF | 32.0 | 1.26 | 74.0 | 2.91 | 30.0 | 1.18 |
| 12 (1/2) | HQ10-F-08S | 3/4-16 UNF | 32.0 | 1.26 | 74.0 | 2.91 | 30.0 | 1.18 |
| | HQ12-F-08G | 1/2 BSPP | 38.0 | 1.50 | 83.8 | 3.30 | 36.0 | 1.42 |
| | HQ12-F-08N | 1/2 NPTF | 38.0 | 1.50 | 83.8 | 3.30 | 36.0 | 1.42 |
| | HQ12-F-08S | 3/4-16 UNF | 38.0 | 1.50 | 83.8 | 3.30 | 36.0 | 1.42 |
| | HQ12-F-10S | 7/8-14 UNF | 38.0 | 1.50 | 83.8 | 3.30 | 36.0 | 1.42 |
| | HQ12-F-12G | 3/4 BSPP | 38.0 | 1.50 | 83.8 | 3.30 | 36.0 | 1.42 |
| 16 (5/8) | HQ12-F-12N | 3/4 NPTF | 38.0 | 1.50 | 83.8 | 3.30 | 36.0 | 1.42 |
| | HQ12-F-12S | 1 1/16-12 UN | 38.0 | 1.50 | 83.8 | 3.30 | 36.0 | 1.42 |
| | HQ16-F-12G | 3/4 BSPP | 42.0 | 1.65 | 83.8 | 3.30 | 41.0 | 1.61 |
| | HQ16-F-12N | 3/4 NPTF | 42.0 | 1.65 | 83.8 | 3.30 | 41.0 | 1.61 |
| 19 (3/4) | HQ16-F-12S | 1 1/16-12 UN | 42.0 | 1.65 | 83.8 | 3.30 | 41.0 | 1.61 |
| | HQ19-F-12G | 3/4 BSPP | 48.0 | 1.89 | 99.0 | 3.90 | 46.0 | 1.81 |
| | HQ19-F-12N | 3/4 NPTF | 48.0 | 1.89 | 99.0 | 3.90 | 46.0 | 1.81 |
| | HQ19-F-12S | 1 1/16-12 UN | 48.0 | 1.89 | 99.0 | 3.90 | 46.0 | 1.81 |
| | HQ19-F-16G | 1 BSPP | 48.0 | 1.89 | 99.0 | 3.90 | 46.0 | 1.81 |
| 25 (1) | HQ19-F-16N | 1 NPTF | 48.0 | 1.89 | 99.0 | 3.90 | 46.0 | 1.81 |
| | HQ19-F-16S | 1 5/16-12 UN | 48.0 | 1.89 | 99.0 | 3.90 | 46.0 | 1.81 |
| | HQ25-F-16G | 1 BSPP | 55.0 | 2.17 | 108.5 | 4.27 | 55.0 | 2.17 |
| | HQ25-F-16N | 1 NPTF | 55.0 | 2.17 | 108.5 | 4.27 | 55.0 | 2.17 |
| | HQ25-F-16S | 1 5/16-12 UN | 55.0 | 2.17 | 108.5 | 4.27 | 55.0 | 2.17 |
| | HQ25-F-20G | 1 1/4 BSPP | 55.0 | 2.17 | 111.5 | 4.39 | 55.0 | 2.17 |
| 32 (1 1/4) | HQ25-F-20N | 1 1/4 NPTF | 55.0 | 2.17 | 111.5 | 4.39 | 55.0 | 2.17 |
| | HQ25-F-20S | 1 5/8-12 UN | 55.0 | 2.17 | 111.5 | 4.39 | 55.0 | 2.17 |
| | HQ32-F-24G | 1 1/2 BSPP | 80.0 | 3.15 | 132.2 | 5.20 | 70.0 | 2.76 |
| 40 (1 1/2) | HQ32-F-24N | 1 1/2 NPTF | 80.0 | 3.15 | 132.2 | 5.20 | 70.0 | 2.76 |
| | HQ32-F-24S | 1 7/8-12 UN | 80.0 | 3.15 | 132.2 | 5.20 | 70.0 | 2.76 |
| | HQ40-F-32G | 2 BSPP | 102.8 | 4.05 | 147.3 | 5.80 | 80.0 | 3.15 |
| 40 (1 1/2) | HQ40-F-32N | 2 NPTF | 102.8 | 4.05 | 147.3 | 5.80 | 80.0 | 3.15 |
| | HQ40-F-32S | 2 1/2-12 UN | 102.8 | 4.05 | 147.3 | 5.80 | 80.0 | 3.15 |

For all other configurations or thread types please contact the sales office.



Flat face couplings made to the ISO 16028 Standard



HQ MALE COUPLING

| Body Size | Part Number | Thread Size | D2 | | L2 | | A/F | |
|------------|-------------|--------------|------|------|-------|------|------|------|
| | | | mm | inch | mm | inch | mm | inch |
| 04 (1/8) | HQ04-M-02G | 1/8 BSPP | 11.6 | 0.46 | 36.5 | 1.44 | 17.0 | 0.67 |
| | HQ04-M-02N | 1/8 NPTF | 11.6 | 0.46 | 36.5 | 1.44 | 17.0 | 0.67 |
| | HQ04-M-04S | 7/16-20 UNF | 11.6 | 0.46 | 36.5 | 1.44 | 17.0 | 0.67 |
| 06 (1/4) | HQ06-M-04G | 1/4 BSPP | 16.1 | 0.64 | 53.5 | 2.11 | 27.0 | 1.06 |
| | HQ06-M-04N | 1/4 NPTF | 16.1 | 0.64 | 53.5 | 2.11 | 27.0 | 1.06 |
| | HQ06-M-06S | 9/16-18 UNF | 16.1 | 0.64 | 53.5 | 2.11 | 27.0 | 1.06 |
| 10 (3/8) | HQ10-M-06G | 3/8 BSPP | 19.7 | 0.78 | 60.0 | 2.36 | 27.0 | 1.06 |
| | HQ10-M-06N | 3/8 NPTF | 19.7 | 0.78 | 60.0 | 2.36 | 27.0 | 1.06 |
| | HQ10-M-06S | 9/16-18 UNF | 19.7 | 0.78 | 60.0 | 2.36 | 27.0 | 1.06 |
| | HQ10-M-08G | 1/2 BSPP | 19.7 | 0.78 | 63.0 | 2.48 | 27.0 | 1.06 |
| | HQ10-M-08N | 1/2 NPTF | 19.7 | 0.78 | 63.0 | 2.48 | 27.0 | 1.06 |
| | HQ10-M-08S | 3/4-16 UNF | 19.7 | 0.78 | 63.0 | 2.48 | 27.0 | 1.06 |
| 12 (1/2) | HQ12-M-08G | 1/2 BSPP | 24.5 | 0.97 | 71.0 | 2.80 | 36.0 | 1.42 |
| | HQ12-M-08N | 1/2 NPTF | 24.5 | 0.97 | 71.0 | 2.80 | 36.0 | 1.42 |
| | HQ12-M-08S | 3/4-16 UNF | 24.5 | 0.97 | 71.0 | 2.80 | 36.0 | 1.42 |
| | HQ12-M-10S | 7/8-14 UNF | 24.5 | 0.97 | 71.0 | 2.80 | 36.0 | 1.42 |
| | HQ12-M-12G | 3/4 BSPP | 24.5 | 0.97 | 71.0 | 2.80 | 36.0 | 1.42 |
| | HQ12-M-12N | 3/4 NPTF | 24.5 | 0.97 | 71.0 | 2.80 | 36.0 | 1.42 |
| 16 (5/8) | HQ12-M-12S | 1 1/16-12 UN | 24.5 | 0.97 | 71.0 | 2.80 | 36.0 | 1.42 |
| | HQ16-M-12G | 3/4 BSPP | 27.0 | 1.06 | 73.0 | 2.87 | 36.0 | 1.42 |
| | HQ16-M-12N | 3/4 NPTF | 27.0 | 1.06 | 73.0 | 2.87 | 36.0 | 1.42 |
| 19 (3/4) | HQ16-M-12S | 1 1/16-12 UN | 27.0 | 1.06 | 73.0 | 2.87 | 36.0 | 1.42 |
| | HQ19-M-12G | 3/4 BSPP | 29.9 | 1.18 | 84.0 | 3.31 | 46.0 | 1.81 |
| | HQ19-M-12N | 3/4 NPTF | 29.9 | 1.18 | 84.0 | 3.31 | 46.0 | 1.81 |
| | HQ19-M-12S | 1 1/16-12 UN | 29.9 | 1.18 | 84.0 | 3.31 | 46.0 | 1.81 |
| | HQ19-M-16G | 1 BSPP | 29.9 | 1.18 | 84.0 | 3.31 | 46.0 | 1.81 |
| | HQ19-M-16N | 1 NPTF | 29.9 | 1.18 | 84.0 | 3.31 | 46.0 | 1.81 |
| 25 (1) | HQ19-M-16S | 1 5/16-12 UN | 29.9 | 1.18 | 84.0 | 3.31 | 46.0 | 1.81 |
| | HQ25-M-16G | 1 BSPP | 36.0 | 1.42 | 97.0 | 3.82 | 55.0 | 2.17 |
| | HQ25-M-16N | 1 NPTF | 36.0 | 1.42 | 97.0 | 3.82 | 55.0 | 2.17 |
| | HQ25-M-16S | 1 5/16-12 UN | 36.0 | 1.42 | 97.0 | 3.82 | 55.0 | 2.17 |
| | HQ25-M-20G | 1 1/4 BSPP | 36.0 | 1.42 | 90.4 | 3.56 | 55.0 | 2.17 |
| | HQ25-M-20N | 1 1/4 NPTF | 36.0 | 1.42 | 90.4 | 3.56 | 55.0 | 2.17 |
| 32 (1 1/4) | HQ25-M-20S | 1 5/8-12 UN | 36.0 | 1.42 | 90.4 | 3.56 | 55.0 | 2.17 |
| | HQ32-M-24G | 1 1/2 BSPP | 57.0 | 2.24 | 119.7 | 4.71 | 70.0 | 2.76 |
| | HQ32-M-24N | 1 1/2 NPTF | 57.0 | 2.24 | 119.7 | 4.71 | 70.0 | 2.76 |
| 40 (1 1/2) | HQ32-M-24S | 1 7/8-12 UN | 57.0 | 2.24 | 119.7 | 4.71 | 70.0 | 2.76 |
| | HQ40-M-32G | 2 BSPP | 72.9 | 2.87 | 173.2 | 6.82 | 80.0 | 3.15 |
| | HQ40-M-32S | 2 NPTF | 72.9 | 2.87 | 173.2 | 6.82 | 80.0 | 3.15 |
| | HQ40-M-32N | 2 1/2-12 UN | 72.9 | 2.87 | 173.2 | 6.82 | 80.0 | 3.15 |

For all other configurations or thread types please contact the sales office.





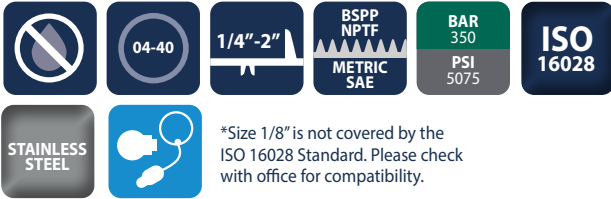
Stainless steel flat face couplings made to the ISO 16028 Standard

HSS Series



INTRODUCTION

Holmbury's HSS Series stainless steel flat face couplings incorporate all the benefits of the carbon steel HQ Series couplings, whilst being perfectly suited for corrosive fluids and environments.



*Size 1/8" is not covered by the ISO 16028 Standard. Please check with office for compatibility.



CONSTRUCTION

- AISI 316 stainless steel
- Fitted with FKM seals (Other seals available on request)
- Also available in carbon steel (See HQ Series)

FEATURES

- Safety locking sleeve fitted as standard to prevent accidental disconnection
- Flat faces are easily wiped clean
- Allows for minimal inclusion of air and contaminants during connection
- Flat face design prevents fluid loss during disconnection
- Bidirectional flow

ACCESSORIES

- Dust caps are available for the HSS Series

SPECIFICATIONS

- Operating temperatures (With FKM seals): -20°C (-4°F) to 200°C (392°F)

APPLICATIONS

- Corrosive fluids and environments
- Marine
- Offshore/onshore
- Chemical
- Pharmaceutical

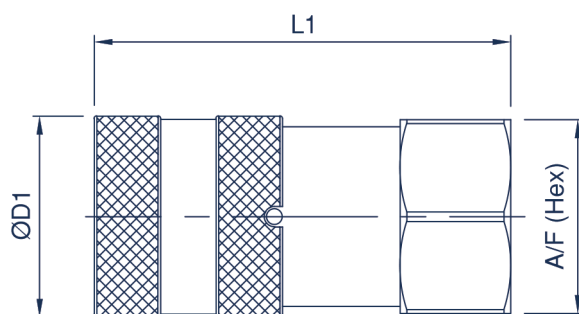
HSS PERFORMANCE CHARACTERISTICS

| Body Size | HSS06 | HSS10 | HSS12 | HSS16 | HSS19 | HSS25 | HSS32 | HSS40 |
|------------------------------------|-------|-------|-------|-------|-------|-------|-------|-------|
| | | | | | | | | |
| Pressure in PSI - Flow in GPM | | | | | | | | |
| Maximum working pressure (Coupled) | 350 | 350 | 350 | 350 | 350 | 350 | 250 | 175 |
| | 5075 | 5075 | 5075 | 5075 | 5075 | 5075 | 3625 | 2538 |
| Burst pressure (Coupled) | 1300 | 1900 | 1600 | 1400 | 1400 | 1000 | 600 | 450 |
| | 18850 | 27550 | 23200 | 20300 | 20300 | 14500 | 8700 | 6525 |
| Burst pressure (Male) | 2600 | 1400 | 1100 | 1100 | 1100 | 1000 | 600 | 450 |
| | 37700 | 20300 | 15950 | 15950 | 15950 | 14500 | 8700 | 6525 |
| Burst pressure (Female) | 1600 | 1000 | 1000 | 1000 | 1000 | 1000 | 600 | 450 |
| | 23200 | 14500 | 14500 | 14500 | 14500 | 14500 | 8700 | 6525 |
| Rated flow | 12 | 23 | 45 | 74 | 100 | 189 | 250 | 379 |
| | 3.2 | 6.1 | 12 | 19.5 | 26.4 | 50 | 66 | 100 |

CAPS ACCESSORIES

| FEMALE CAPS | MALE CAPS |
|-------------|------------|
| HQ06-F-CAP | HQ06-M-CAP |
| HQ10-F-CAP | HQ10-M-CAP |
| HQ12-F-CAP | HQ12-M-CAP |
| HQ16-F-CAP | HQ16-M-CAP |
| HQ19-F-CAP | HQ19-M-CAP |
| HQ25-F-CAP | HQ25-M-CAP |

Standard colour is red pvc, other colours available upon request



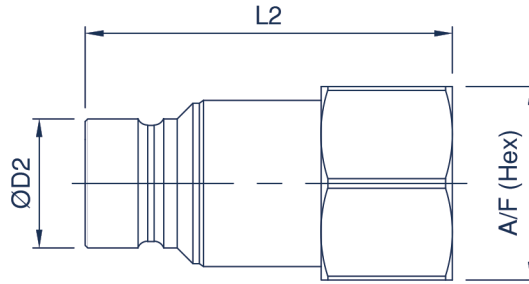
HSS FEMALE COUPLING

| Body Size | Part Number | Thread Size | D1 | | L1 | | A/F | |
|------------|-------------|--------------|-------|------|-------|------|------|------|
| | | | mm | inch | mm | inch | mm | inch |
| 06 (1/4) | HSS06-F-04G | 1/4 BSPP | 28.0 | 1.10 | 54.0 | 2.13 | 27.0 | 1.06 |
| | HSS06-F-04N | 1/4NPTF | 28.0 | 1.10 | 54.0 | 2.13 | 27.0 | 1.06 |
| | HSS06-F-06S | 9/16-18 UNF | 28.0 | 1.10 | 54.0 | 2.13 | 27.0 | 1.06 |
| 10 (3/8) | HSS10-F-06G | 3/8 BSPP | 32.0 | 1.26 | 69.0 | 2.72 | 30.0 | 1.18 |
| | HSS10-F-06N | 3/8 NPTF | 32.0 | 1.26 | 69.0 | 2.72 | 30.0 | 1.18 |
| | HSS10-F-06S | 9/16-18 UNF | 32.0 | 1.26 | 69.0 | 2.72 | 30.0 | 1.18 |
| | HSS10-F-08G | 1/2 BSPP | 32.0 | 1.26 | 74.0 | 2.91 | 30.0 | 1.18 |
| | HSS10-F-08N | 1/2 NPTF | 32.0 | 1.26 | 74.0 | 2.91 | 30.0 | 1.18 |
| | HSS10-F-08S | 3/4-16 UNF | 32.0 | 1.26 | 74.0 | 2.91 | 30.0 | 1.18 |
| | HSS12-F-08G | 1/2 BSPP | 38.0 | 1.50 | 83.8 | 3.30 | 36.0 | 1.42 |
| 12 (1/2) | HSS12-F-08N | 1/2 NPTF | 38.0 | 1.50 | 83.8 | 3.30 | 36.0 | 1.42 |
| | HSS12-F-08S | 3/4-16 UNF | 38.0 | 1.50 | 83.8 | 3.30 | 36.0 | 1.42 |
| | HSS12-F-10S | 7/8-14 UNF | 38.0 | 1.50 | 83.8 | 3.30 | 36.0 | 1.42 |
| | HSS12-F-12G | 3/4 BSPP | 38.0 | 1.50 | 83.8 | 3.30 | 36.0 | 1.42 |
| | HSS12-F-12N | 3/4 NPTF | 38.0 | 1.50 | 83.8 | 3.30 | 36.0 | 1.42 |
| | HSS12-F-12S | 1 1/16-12 UN | 38.0 | 1.50 | 83.8 | 3.30 | 36.0 | 1.42 |
| 16 (5/8) | HSS16-F-12G | 3/4 BSPP | 42.0 | 1.65 | 83.8 | 3.30 | 41.0 | 1.61 |
| | HSS16-F-12N | 3/4 NPTF | 42.0 | 1.65 | 83.8 | 3.30 | 41.0 | 1.61 |
| | HSS16-F-12S | 1 1/16-12 UN | 42.0 | 1.65 | 83.8 | 3.30 | 41.0 | 1.61 |
| 19 (3/4) | HSS19-F-12G | 3/4 BSPP | 48.0 | 1.89 | 99.0 | 3.90 | 46.0 | 1.81 |
| | HSS19-F-12N | 3/4 NPTF | 48.0 | 1.89 | 99.0 | 3.90 | 46.0 | 1.81 |
| | HSS19-F-12S | 1 1/16-12 UN | 48.0 | 1.89 | 99.0 | 3.90 | 46.0 | 1.81 |
| | HSS19-F-16G | 1 BSPP | 48.0 | 1.89 | 99.0 | 3.90 | 46.0 | 1.81 |
| | HSS19-F-16N | 1 NPTF | 48.0 | 1.89 | 99.0 | 3.90 | 46.0 | 1.81 |
| | HSS19-F-16S | 1 5/16-12 UN | 48.0 | 1.89 | 99.0 | 3.90 | 46.0 | 1.81 |
| 25 (1) | HSS25-F-16G | 1 BSPP | 55.0 | 2.17 | 108.5 | 4.27 | 55.0 | 2.17 |
| | HSS25-F-16N | 1 NPTF | 55.0 | 2.17 | 108.5 | 4.27 | 55.0 | 2.17 |
| | HSS25-F-16S | 1 5/16-12 UN | 55.0 | 2.17 | 108.5 | 4.27 | 55.0 | 2.17 |
| | HSS25-F-20G | 1 1/4 BSPP | 55.0 | 2.17 | 111.5 | 4.39 | 55.0 | 2.17 |
| | HSS25-F-20N | 1 1/4 NPTF | 55.0 | 2.17 | 111.5 | 4.39 | 55.0 | 2.17 |
| | HSS25-F-20S | 1 5/8-12 UN | 55.0 | 2.17 | 111.5 | 4.39 | 55.0 | 2.17 |
| 32 (1 1/4) | HSS32-F-24G | 1 1/2 BSPP | 80.0 | 3.15 | 132.2 | 5.20 | 70.0 | 2.76 |
| | HSS32-F-24N | 1 1/2 NPTF | 80.0 | 3.15 | 132.2 | 5.20 | 70.0 | 2.76 |
| | HSS32-F-24S | 1 7/8-12 UN | 80.0 | 3.15 | 132.2 | 5.20 | 70.0 | 2.76 |
| 40 (1 1/2) | HSS40-F-32G | 2 BSPP | 102.8 | 4.05 | 147.3 | 5.80 | 80.0 | 3.15 |
| | HSS40-F-32N | 2 NPTF | 102.8 | 4.05 | 147.3 | 5.80 | 80.0 | 3.15 |
| | HSS40-F-32S | 2 1/2-12 UN | 102.8 | 4.05 | 147.3 | 5.80 | 80.0 | 3.15 |

For all other configurations or thread types please contact the sales office.



Flat face couplings made to the ISO 16028 Standard



HSS MALE COUPLING

| Body Size | Part Number | Thread Size | D2 | | L2 | | A/F | |
|-------------------|-------------|--------------|------|------|-------|------|------|------|
| | | | mm | inch | mm | inch | mm | inch |
| 06 (1/4) | HSS06-M-04G | 1/4 BSPP | 16.1 | 0.64 | 53.5 | 2.11 | 27.0 | 1.06 |
| | HSS06-M-04N | 1/4 NPTF | 16.1 | 0.64 | 53.5 | 2.11 | 27.0 | 1.06 |
| | HSS06-M-06S | 9/16-18 UNF | 16.1 | 0.64 | 53.5 | 2.11 | 27.0 | 1.06 |
| 10 (3/8) | HSS10-M-06G | 3/8 BSPP | 19.7 | 0.78 | 60.0 | 2.36 | 27.0 | 1.06 |
| | HSS10-M-06N | 3/8 NPTF | 19.7 | 0.78 | 60.0 | 2.36 | 27.0 | 1.06 |
| | HSS10-M-06S | 9/16-18 UNF | 19.7 | 0.78 | 60.0 | 2.36 | 27.0 | 1.06 |
| | HSS10-M-08G | 1/2 BSPP | 19.7 | 0.78 | 63.0 | 2.48 | 27.0 | 1.06 |
| | HSS10-M-08N | 1/2 NPTF | 19.7 | 0.78 | 63.0 | 2.48 | 27.0 | 1.06 |
| | HSS10-M-08S | 3/4-16 UNF | 19.7 | 0.78 | 63.0 | 2.48 | 27.0 | 1.06 |
| | HSS12-M-08G | 1/2 BSPP | 24.5 | 0.97 | 71.0 | 2.80 | 36.0 | 1.42 |
| 12 (1/2) | HSS12-M-08N | 1/2 NPTF | 24.5 | 0.97 | 71.0 | 2.80 | 36.0 | 1.42 |
| | HSS12-M-08S | 3/4-16 UNF | 24.5 | 0.97 | 71.0 | 2.80 | 36.0 | 1.42 |
| | HSS12-M-10S | 7/8-14 UNF | 24.5 | 0.97 | 71.0 | 2.80 | 36.0 | 1.42 |
| | HSS12-M-12G | 3/4 BSPP | 24.5 | 0.97 | 71.0 | 2.80 | 36.0 | 1.42 |
| | HSS12-M-12N | 3/4 NPTF | 24.5 | 0.97 | 71.0 | 2.80 | 36.0 | 1.42 |
| | HSS12-M-12S | 1 1/16-12 UN | 24.5 | 0.97 | 71.0 | 2.80 | 36.0 | 1.42 |
| 16 (5/8) | HSS16-M-12G | 3/4 BSPP | 27.0 | 1.06 | 73.0 | 2.87 | 36.0 | 1.42 |
| | HSS16-M-12N | 3/4 NPTF | 27.0 | 1.06 | 73.0 | 2.87 | 36.0 | 1.42 |
| | HSS16-M-12S | 1 1/16-12 UN | 27.0 | 1.06 | 73.0 | 2.87 | 36.0 | 1.42 |
| 19 (3/4) | HSS19-M-12G | 3/4 BSPP | 29.9 | 1.18 | 84.0 | 3.31 | 46.0 | 1.81 |
| | HSS19-M-12N | 3/4 NPTF | 29.9 | 1.18 | 84.0 | 3.31 | 46.0 | 1.81 |
| | HSS19-M-12S | 1 1/16-12 UN | 29.9 | 1.18 | 84.0 | 3.31 | 46.0 | 1.81 |
| | HSS19-M-16G | 1 BSPP | 29.9 | 1.18 | 84.0 | 3.31 | 46.0 | 1.81 |
| | HSS19-M-16N | 1 NPTF | 29.9 | 1.18 | 84.0 | 3.31 | 46.0 | 1.81 |
| | HSS19-M-16S | 1 5/16-12 UN | 29.9 | 1.18 | 84.0 | 3.31 | 46.0 | 1.81 |
| 25 (1) | HSS25-M-16G | 1 BSPP | 36.0 | 1.42 | 97.0 | 3.82 | 55.0 | 2.17 |
| | HSS25-M-16N | 1 NPTF | 36.0 | 1.42 | 97.0 | 3.82 | 55.0 | 2.17 |
| | HSS25-M-16S | 1 5/16-12 UN | 36.0 | 1.42 | 97.0 | 3.82 | 55.0 | 2.17 |
| | HSS25-M-20G | 1 1/4 BSPP | 36.0 | 1.42 | 90.4 | 3.56 | 55.0 | 2.17 |
| | HSS25-M-20N | 1 1/4 NPTF | 36.0 | 1.42 | 90.4 | 3.56 | 55.0 | 2.17 |
| | HSS25-M-20S | 1 5/8-12 UN | 36.0 | 1.42 | 90.4 | 3.56 | 55.0 | 2.17 |
| 32 (1 1/4) | HSS32-M-24G | 1 1/2 BSPP | 57.0 | 2.24 | 119.7 | 4.71 | 70.0 | 2.76 |
| | HSS32-M-24N | 1 1/2 NPTF | 57.0 | 2.24 | 119.7 | 4.71 | 70.0 | 2.76 |
| | HSS32-M-24S | 1 7/8-12 UN | 57.0 | 2.24 | 119.7 | 4.71 | 70.0 | 2.76 |
| 40 (1 1/2) | HSS40-M-32G | 2 BSPP | 72.9 | 2.87 | 173.2 | 6.82 | 80.0 | 3.15 |
| | HSS40-M-32S | 2 1/2-12 UN | 72.9 | 2.87 | 173.2 | 6.82 | 80.0 | 3.15 |
| | HSS40-M-32N | 2 NPTF | 72.9 | 2.87 | 173.2 | 6.82 | 80.0 | 3.15 |

For all other configurations or thread types please contact the sales office.





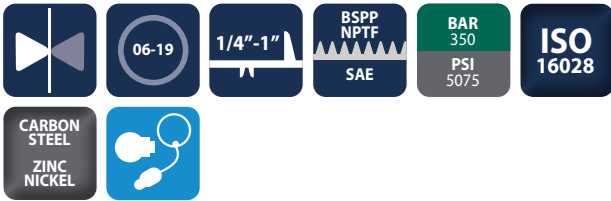
Connect under pressure flat face couplings made to the ISO 16028 Standard

HCP Series



INTRODUCTION

Holmbury's HCP Series couplings are designed to connect under pressure by hand with up to 350 bar (5075 psi) locked in the male half, making it an ideal choice for applications where the ability to connect under pressure is essential. The HCP Series also benefits from all the key features of the HQ Series flat face couplings.



CONSTRUCTION

- Carbon steel with zinc nickel plating (1200 hours with no red rust in salt spray tests)
- Fitted with NBR seals

FEATURES

- Designed to connect with the HQ Series
- Flat faces are easily wiped clean
- Allows for minimal inclusion of air and contaminants during connection
- Flat face design prevents fluid loss during disconnection
- Bidirectional flow
- Connect under pressure with up to 350 bar (5075 psi) locked in the male half
- Female or male of HQ Series must have zero pressure when connecting to HCP range when under pressure

ACCESSORIES

- Dust caps are available for the HCP Series

SPECIFICATIONS

- Operating temperatures (With NBR seals): -40°C (-40°F) to 106°C (223°F)

APPLICATIONS

- Hot environments where thermal expansion of trapped oil may take place
- High pressure pulse applications
- Leak free environments
- Construction plant
- Mobile equipment
- General industrial
- Agricultural
- Skid steer loaders

HCP PERFORMANCE CHARACTERISTICS

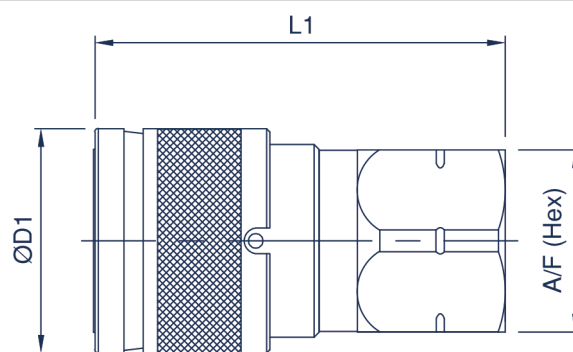
| Body Size | HCP06M | HCP10M | HCP10F | HCP12M | HCP12F | HCP19M |
|------------------------------------|-------------------------------|---------------|---------------|---------------|---------------|---------------|
| | Pressure in bar - Flow in LPM | | | | | |
| | Pressure in PSI - Flow in GPM | | | | | |
| Maximum working pressure (Coupled) | 350 5075 | 350 5075 | 300 4350 | 350 5075 | 290 4200 | 350 5075 |
| Burst pressure (Coupled) | 1330 18850 | 1700 24650 | 1220 17695 | 1500 21400 | 1160 16820 | 1600 23200 |
| Burst pressure (Male *) | 1300 18850 | 1500 21750 | - - | 1400 20300 | - - | 1600 23200 |
| Burst pressure (Female **) | - - | - - | 1040 15080 | - - | 1010 14650 | - - |
| Rated flow | 12 3.2 | 23 6.1 | 23 6.1 | 45 12 | 45 12 | 100 26.4 |

CAPS ACCESSORIES

| FEMALE CAPS | MALE CAPS |
|-------------|------------|
| NA | HQ06-M-CAP |
| HQ10-F-CAP | HQ10-M-CAP |
| HQ12-F-CAP | HQ12-M-CAP |
| NA | HQ19-M-CAP |

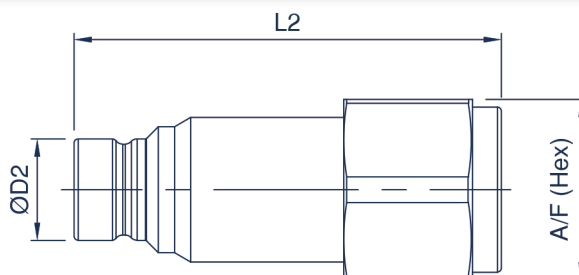
Standard colour is red pvc, other colours available upon request

**Coupled to standard female coupling *Coupled to standard male coupling



HCP FEMALE COUPLING

| Body Size | Part Number | Thread Size | D1 | | L1 | | A/F | |
|-----------|-------------|--------------|------|------|------|------|------|------|
| | | | mm | inch | mm | inch | mm | inch |
| 10 (3/8) | HCP10-F-06G | 3/8 BSPP | 30.0 | 1.18 | 56.2 | 2.21 | 23.8 | 0.94 |
| | HCP10-F-06N | 3/8 NPTF | 30.0 | 1.18 | 57.1 | 2.25 | 23.8 | 0.94 |
| | HCP10-F-06S | 9/16-18 UNF | 30.0 | 1.18 | 56.3 | 2.22 | 23.8 | 0.94 |
| | HCP10-F-08G | 1/2 BSPP | 30.0 | 1.18 | 57.8 | 2.28 | 25.4 | 1.00 |
| | HCP10-F-08N | 1/2 NPTF | 30.0 | 1.18 | 58.8 | 2.31 | 25.4 | 1.00 |
| | HCP10-F-08S | 3/4-16 UNF | 30.0 | 1.18 | 58.1 | 2.29 | 23.8 | 0.94 |
| 12 (1/2) | HCP12-F-08G | 1/2 BSPP | 34.9 | 1.37 | 64.2 | 2.53 | 28.6 | 1.13 |
| | HCP12-F-08N | 1/2 NPTF | 34.9 | 1.37 | 64.2 | 2.53 | 28.6 | 1.13 |
| | HCP12-F-08S | 3/4-16 UNF | 34.9 | 1.37 | 64.4 | 2.54 | 28.6 | 1.13 |
| | HCP12-F-10S | 7/8-14 UNF | 34.9 | 1.37 | 64.7 | 2.55 | 28.6 | 1.13 |
| | HCP12-F-12G | 3/4 BSPP | 34.9 | 1.37 | 64.9 | 2.56 | 33.3 | 1.31 |
| | HCP12-F-12N | 3/4 NPTF | 34.9 | 1.37 | 66.1 | 2.60 | 31.8 | 1.25 |
| | HCP12-F-12S | 1 1/16-12 UN | 34.9 | 1.37 | 66.7 | 2.63 | 33.3 | 1.31 |



HCP MALE COUPLING

| Body Size | Part Number | Thread Size | D2 | | L2 | | A/F | |
|-----------|-------------|--------------|------|------|-------|------|------|------|
| | | | mm | inch | mm | inch | mm | inch |
| 06 (1/4) | HCP06-M-06S | 9/16-18 UNF | 16.1 | 0.64 | 84.7 | 3.34 | 27.9 | 1.06 |
| 10 (3/8) | HCP10-M-06G | 3/8 BSPP | 19.7 | 0.78 | 87.0 | 3.43 | 30.0 | 1.18 |
| | HCP10-M-06N | 3/8 NPTF | 19.7 | 0.78 | 87.0 | 3.43 | 30.0 | 1.18 |
| | HCP10-M-06S | 9/16-18 UNF | 19.7 | 0.78 | 87.0 | 3.43 | 30.0 | 1.18 |
| | HCP10-M-08G | 1/2 BSPP | 19.7 | 0.78 | 87.0 | 3.43 | 30.0 | 1.18 |
| | HCP10-M-08N | 1/2 NPTF | 19.7 | 0.78 | 87.0 | 3.43 | 30.0 | 1.18 |
| | HCP10-M-08S | 3/4-16 UNF | 19.7 | 0.78 | 87.0 | 3.43 | 30.0 | 1.18 |
| 12 (1/2) | HCP12-M-08G | 1/2 BSPP | 24.5 | 0.97 | 98.0 | 3.86 | 41.0 | 1.61 |
| | HCP12-M-08N | 1/2 NPTF | 24.5 | 0.97 | 98.0 | 3.86 | 41.0 | 1.61 |
| | HCP12-M-08S | 3/4-16 UNF | 24.5 | 0.97 | 98.0 | 3.86 | 41.0 | 1.61 |
| | HCP12-M-10S | 7/8-14 UNF | 24.5 | 0.97 | 98.0 | 3.86 | 41.0 | 1.61 |
| | HCP12-M-12G | 3/4 BSPP | 24.5 | 0.97 | 104.0 | 4.09 | 41.0 | 1.61 |
| | HCP12-M-12N | 3/4 NPTF | 24.5 | 0.97 | 104.0 | 4.09 | 41.0 | 1.61 |
| | HCP12-M-12S | 1 1/16-12 UN | 24.5 | 0.97 | 104.0 | 4.09 | 41.0 | 1.61 |
| 19 (3/4) | HCP19-M-12G | 3/4 BSPP | 29.9 | 1.18 | 114.0 | 4.49 | 46.0 | 1.81 |
| | HCP19-M-12N | 3/4 NPTF | 29.9 | 1.18 | 114.0 | 4.49 | 46.0 | 1.81 |
| | HCP19-M-12S | 1 1/16 UN | 29.9 | 1.18 | 114.0 | 4.49 | 46.0 | 1.81 |
| | HCP19-M-16G | 1 BSPP | 29.9 | 1.18 | 114.0 | 4.49 | 46.0 | 1.81 |
| | HCP19-M-16N | 1 NPTF | 29.9 | 1.18 | 114.0 | 4.49 | 46.0 | 1.81 |
| | HCP19-M-16S | 1 5/16-12 UN | 29.9 | 1.18 | 114.0 | 4.49 | 46.0 | 1.81 |

For all other configurations or thread types please contact the sales office.



90° flat face couplings made to the ISO 16028 Standard

H90/HQ90 Series



INTRODUCTION

Holmbury's H90 and HQ90 Series is designed for use in applications that require a 90° elbow in the hydraulic circuit, such as digger booms. The right angle design allows for easy mounting without the need for additional fittings, reducing potential leakage paths and cost.



CONSTRUCTION

- Carbon steel with zinc nickel plating (1200 hours with no red rust in salt spray tests)
- Fitted with NBR seals

FEATURES

- The H90 and HQ90 Series is designed to connect with the HQ and HCP Series flat face couplings
- 90° elbow incorporated into the coupling
- The HQ90 benefits from a reduced size back end, allowing installation into tighter spaces
- Flat faces are easily wiped clean
- Allows for minimal inclusion of air and contaminants during connection
- Flat face design prevents fluid loss during disconnection
- Bidirectional flow

ACCESSORIES

- Dust caps are available for the H90 and HQ90 Series

SPECIFICATIONS

- Operating temperatures (With NBR seals): -40°C (-40°F) to 106°C (223°F)

APPLICATIONS

- Leak free environments
- Construction attachments
- Mobile equipment
- General industrial
- Agricultural
- Skid steer loaders

H90/HQ90 PERFORMANCE CHARACTERISTICS

| Body Size | H9012/HQ9012 | |
|------------------------------------|-------------------------------|--|
| | Pressure in bar - Flow in LPM | |
| | Pressure in PSI - Flow in GPM | |
| Maximum working pressure (Coupled) | 350 | |
| | 5075 | |
| Burst pressure (Coupled) | 1400 | |
| | 20300 | |
| Burst pressure (Male) | 1300 | |
| | 18850 | |
| Burst pressure (Female) | 1000 | |
| | 14500 | |
| Rated flow | 45 | |
| | 12 | |

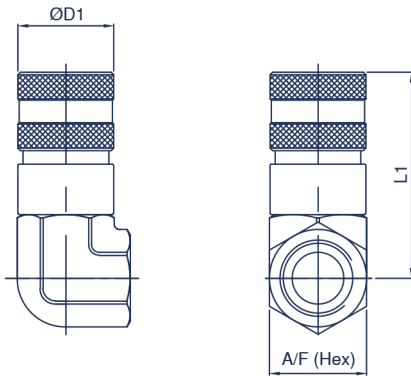
CAPS ACCESSORIES

| FEMALE CAPS | MALE CAPS |
|-------------|------------|
| HQ12-F-CAP | HQ12-M-CAP |

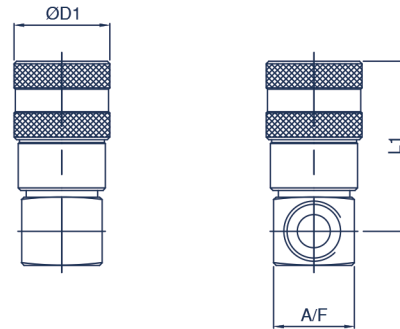
Standard colour is red pvc, other colours available upon request

H90/HQ90 Series

H90



HQ90



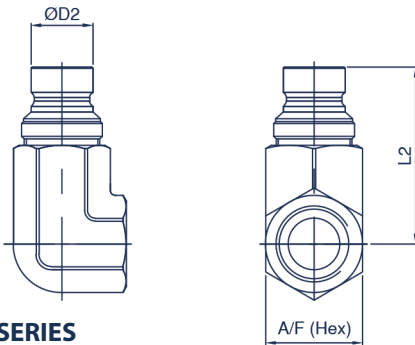
H90 FEMALE SERIES

| Body Size | Part Number | Thread Size | D1 | | L1 | | A/F | |
|-----------|---------------|--------------|------|------|------|------|------|------|
| | | | mm | inch | mm | inch | mm | inch |
| 12 (1/2) | H12-F-06JM-90 | 9/16-18 UNF | 38.0 | 1.50 | 81.7 | 3.22 | 34.0 | 1.34 |
| | H12-F-08S-90 | 3/4-16 UNF | 38.0 | 1.50 | 81.7 | 3.22 | 34.0 | 1.34 |
| | H12-F-12JM-90 | 1 1/16-12 UN | 38.0 | 1.50 | 81.7 | 3.22 | 34.0 | 1.34 |

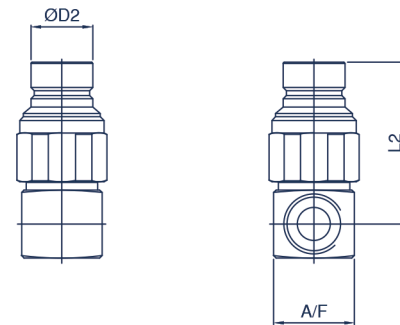
HQ90 FEMALE SERIES

| Body Size | Part Number | Thread Size | D1 | | L1 | | A/F | |
|-----------|---------------|-------------|------|------|------|------|------|------|
| | | | mm | inch | mm | inch | mm | inch |
| 12 (1/2) | HQ12-F-04S-90 | 7/16-20 UNF | 38.0 | 1.50 | 64.3 | 2.53 | 32.0 | 1.26 |
| | HQ12-F-06-90 | 9/16-18 UNF | 38.0 | 1.50 | 64.3 | 2.53 | 32.0 | 1.26 |
| | HQ12-F-08N-90 | 1/2 NPTF | 38.0 | 1.50 | 70.8 | 2.79 | 32.0 | 1.26 |
| | HQ12-F-08S-90 | 3/4-16 UNF | 38.0 | 1.50 | 66.9 | 2.63 | 32.0 | 1.26 |

H90



HQ90



H90 MALE SERIES

| Body Size | Part Number | Thread Size | D2 | | L2 | | A/F | |
|-----------|---------------|--------------|------|------|------|------|------|------|
| | | | mm | inch | mm | inch | mm | inch |
| 12 (1/2) | H12-M-06JM-90 | 9/16-18 UNF | 24.5 | 0.97 | 68.2 | 2.69 | 34.0 | 1.34 |
| | H12-M-08S-90 | 3/4-16 UNF | 24.5 | 0.97 | 68.2 | 2.69 | 34.0 | 1.34 |
| | H12-M-12JM-90 | 1 1/16-12 UN | 24.5 | 0.97 | 68.2 | 2.69 | 34.0 | 1.34 |

HQ90 MALE SERIES

| Body Size | Part Number | Thread Size | D2 | | L2 | | A/F | |
|-----------|---------------|-------------|------|------|------|------|------|------|
| | | | mm | inch | mm | inch | mm | inch |
| 12 (1/2) | HQ12-M-04S-90 | 7/16-20 UNF | 24.5 | 0.97 | 61.0 | 2.40 | 32.0 | 1.26 |
| | HQ12-M-06-90 | 9/16-18 UNF | 24.5 | 0.97 | 61.0 | 2.40 | 32.0 | 1.26 |
| | HQ12-M-08N-90 | 1/2 NPTF | 24.5 | 0.97 | 67.9 | 2.67 | 32.0 | 1.26 |
| | HQ12-M-08S-90 | 3/4-16 UNF | 24.5 | 0.97 | 63.3 | 2.49 | 32.0 | 1.26 |

For all other configurations or thread types please contact the sales office.



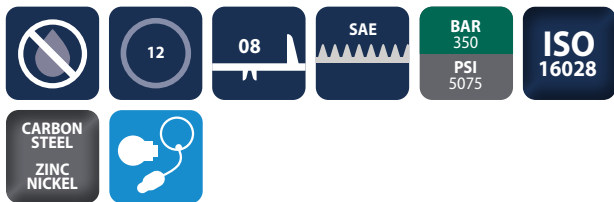
Flat face 45° couplings made to the ISO 16028 Standard

H45 Series



INTRODUCTION

Holmbury's H45 Series is designed for use in applications that require a 45° elbow in the hydraulic circuit, such as digger booms. The angled design allows for easy mounting without the need for additional fittings, reducing potential leakage paths and cost.



CONSTRUCTION

- Carbon steel with zinc nickel plating (1200 hours with no red rust in salt spray tests)
- Fitted with NBR seals

FEATURES

- The H45 Series is designed to connect with the HQ and HCP Series flat face couplings
- Flat faces are easily wiped clean
- Allows for minimal inclusion of air and contaminants during connection
- Flat face design prevents fluid loss during disconnection
- Bidirectional flow

ACCESSORIES

- Dust caps are available for the H45 Series

SPECIFICATIONS

- Operating temperatures (With NBR seals): -40°C (-40°F) to 106°C (223°F)

APPLICATIONS

- High pressure pulse applications
- Leak free environments
- Construction plant
- Mobile equipment
- General industrial
- Agricultural
- Skid steer loaders

H45 PERFORMANCE CHARACTERISTICS

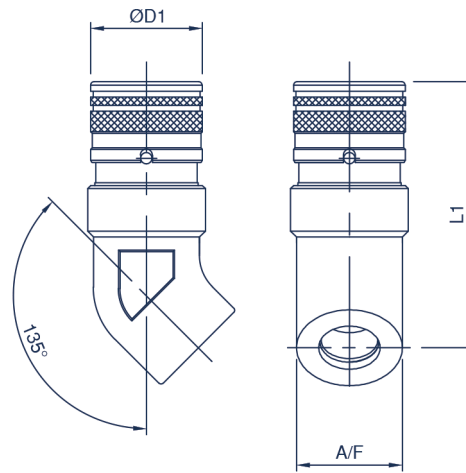
| Body Size | H4512 | |
|------------------------------------|-------------------------------|-------------------------------|
| | Pressure in bar - Flow in LPM | Pressure in PSI - Flow in GPM |
| Maximum working pressure (Coupled) | 350 | 5075 |
| Burst pressure (Coupled) | 1400 | 20300 |
| Burst pressure (Male) | 1300 | 18850 |
| Burst pressure (Female) | 1000 | 14500 |
| Rated flow | 45 | 12 |

CAPS ACCESSORIES

| FEMALE CAPS | MALE CAPS |
|-------------|------------|
| HQ12-F-CAP | HQ12-M-CAP |

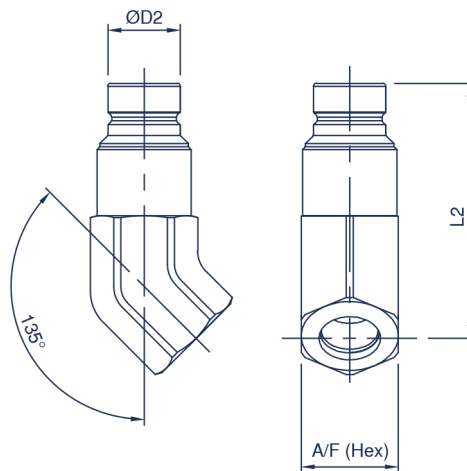
Standard colour is red pvc, other colours available upon request

H45 Series



H45 FEMALE COUPLING

| Body Size | Part Number | Thread Size | D1 | | L1 | | A/F | |
|-----------------|--------------|-------------|------|------|------|------|------|------|
| | | | mm | inch | mm | inch | mm | inch |
| 12 (1/2) | H12-F-08S-45 | 3/4-16 UNF | 38.0 | 1.50 | 72.8 | 2.87 | 36.0 | 1.42 |



H45 MALE COUPLING

| Body Size | Part Number | Thread Size | D2 | | L2 | | A/F | |
|-----------------|--------------|-------------|------|------|------|------|------|------|
| | | | mm | inch | mm | inch | mm | inch |
| 12 (1/2) | H12-M-08S-45 | 3/4-16 UNF | 24.5 | 0.97 | 69.0 | 2.72 | 33.0 | 1.30 |

Other thread sizes and configurations available on request



High pressure flat face couplings fitted with a safety locking sleeve

HP Series



INTRODUCTION

Holmbury's HP Series flat face couplings provide a leak free solution for high pressure applications up to 720 bar (10440 psi). The safety locking sleeve prevents accidental disconnection and can only be disconnected when the release notch and locking ball align.

* Not interchangeable with the Holmbury HQ range, ISO 16028 couplings or those of another manufacturer



CONSTRUCTION

- Carbon steel with zinc nickel plating (1200 hours with no red rust in salt spray tests)
- Fitted with NBR seals

FEATURES

- Spring loaded safety locking sleeve fitted to prevent accidental disconnection, which automatically rotates through 90° when connected
- Flat faces are easily wiped clean
- Allows for minimal inclusion of air and contaminants during connection
- Flat face design prevents fluid loss during disconnection
- Bidirectional flow

ACCESSORIES

- Not applicable

SPECIFICATIONS

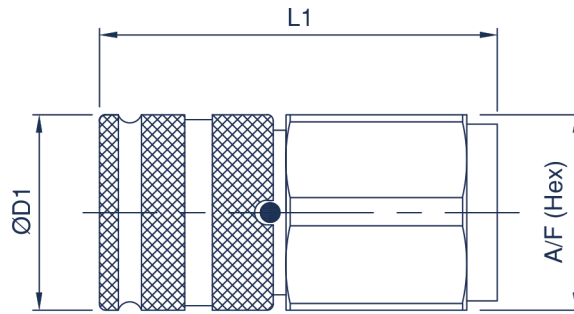
- Operating temperatures (With NBR seals): -40°C (-40°F) to 106°C (223°F)

APPLICATIONS

- Rail industries; especially on de-stressing kits
- Bolt tensioning
- Cutting tools
- Jacking applications
- Leak free environments
- High pressure plant and equipment
- High pressure pulse applications

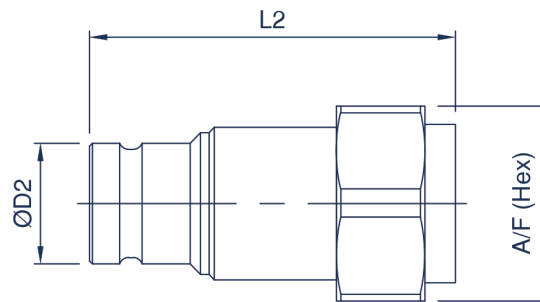
HP PERFORMANCE CHARACTERISTICS

| Body Size | HP10 | |
|------------------------------------|-------------------------------|-------------------------------|
| | Pressure in bar - Flow in LPM | Pressure in PSI - Flow in GPM |
| Maximum working pressure (Coupled) | 720 | 10440 |
| | | |
| Burst pressure (Coupled) | 2000 | 29000 |
| | | |
| Burst pressure (Male) | 2000 | 29000 |
| | | |
| Burst pressure (Female) | 1500 | 21750 |
| | | |
| Rated flow | 23 | 6 |
| | | |



HP FEMALE COUPLING

| Body Size | Part Number | Thread Size | D1 | | L1 | | A/F | |
|-----------------|-------------|-------------|------|------|------|------|------|------|
| | | | mm | inch | mm | inch | mm | inch |
| 10 (3/8) | HP10-F-06N | 3/8 NPTF | 34.0 | 1.34 | 70.0 | 1.34 | 30.0 | 1.18 |



HP MALE COUPLING

| Body Size | Part Number | Thread Size | D2 | | L2 | | A/F | |
|-----------------|-------------|-------------|------|------|-------|------|------|------|
| | | | mm | inch | mm | inch | mm | inch |
| 10 (3/8) | HP10-M-06N | 3/8 NPTF | 19.5 | 0.77 | 60.00 | 2.36 | 27.0 | 1.06 |

For all other configurations or thread types please contact the sales office.



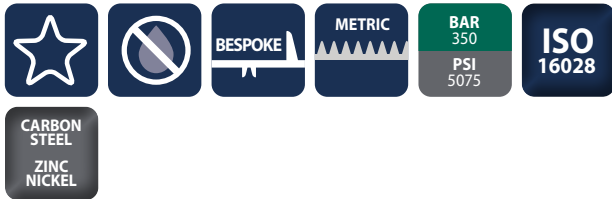
Replacement cartridge couplings for the Faster 4BD4FH/4BD4FI

FFC Series



INTRODUCTION

Holmbury's FFC Series is a replacement flat face cartridge coupling for the Faster 4BD4FH and 4BD4FI blocks.



CONSTRUCTION

- Carbon steel with zinc nickel plating (1200 hours with no red rust in salt spray tests)
- Currently available in size 12 body
- Fitted with NBR and Polyurethane seals

FEATURES

- Internal design allows the female half to always be depressurised when disconnected
- Male has built-in connect under pressure functionality
- Couplings are flat face and are designed to the ISO 16028 Standard
- Low profile coupling design minimises side loading

ACCESSORIES

- Not applicable

SPECIFICATIONS

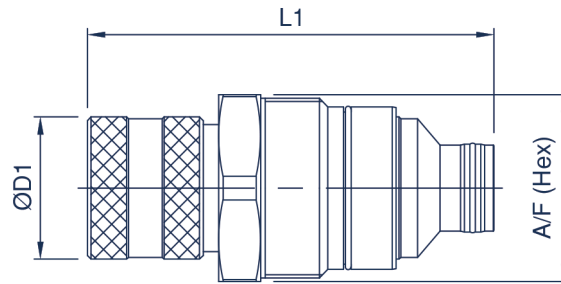
- Operating temperatures (With NBR seals): -40°C (-40°F) to 106°C (223°F)
- Maximum working pressure 350 bar

APPLICATIONS

- Quick changeover of construction equipment attachments
- Skid steer loaders
- Track loaders
- Excavators
- Compact loaders
- Utility vehicles

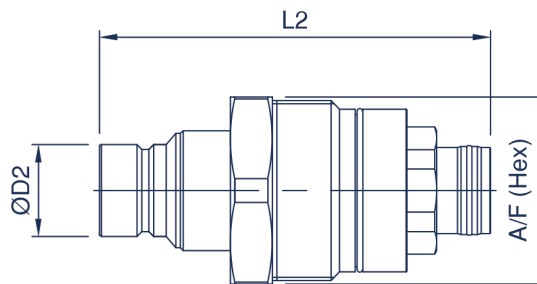
FFC PERFORMANCE CHARACTERISTICS

| Body Size | FFC12 | |
|------------------------------------|-------------------------------|-------------------------------|
| | Pressure in bar - Flow in LPM | Pressure in PSI - Flow in GPM |
| Maximum working pressure (Coupled) | 350 | 5075 |
| | | |
| Burst pressure (Coupled) | 1400 | 20300 |
| | | |
| Burst pressure (Male) | 1300 | 18850 |
| | | |
| Burst pressure (Female) | 1000 | 14500 |
| | | |
| Rated flow | 45 | 12 |
| | | |



FFC FEMALE COUPLING

| Body Size | Part Number | Thread Size | D1 | | L1 | | A/F | | Fits Faster Model |
|-----------|-------------|-------------|------|------|-------|------|------|------|-------------------|
| | | | mm | inch | mm | inch | mm | inch | |
| 12 (1/2) | FFC12-F-M46 | M46x1.5 | 38.0 | 1.50 | 101.8 | 4.01 | 50.0 | 1.97 | 4BD4FI |
| | FFC12-F-M48 | M48x1.5 | 38.0 | 1.50 | 110.0 | 4.33 | 50.0 | 1.97 | 4BD4FH |



FFC MALE COUPLING

| Body Size | Part Number | Thread Size | D2 | | L2 | | A/F | | Fits Faster Model |
|-----------|-------------|-------------|------|------|-------|------|------|------|-------------------|
| | | | mm | inch | mm | inch | mm | inch | |
| 12 (1/2) | FFC12-M-M46 | M46x1.5 | 24.5 | 0.97 | 97.0 | 3.82 | 42.0 | 1.65 | 4BD4FI |
| | FFC12-M-M48 | M48x1.5 | 24.5 | 0.97 | 108.6 | 4.28 | 50.0 | 1.97 | 4BD4FH |

For all other configurations or thread types please contact the sales office.



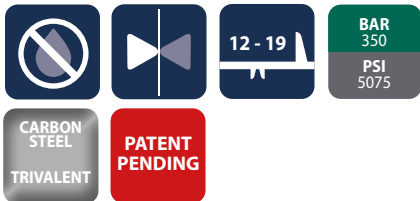
Replacement decompression block cartridges

EZFFC Series



INTRODUCTION

EZFFC series replacement cartridges compatible with Faster 4BD4FI/FH blocks which can be fitted with standard HQ series ISO16028 couplings from your Holmbury distributor.



CONSTRUCTION

- Carbon steel with trivalent plating
- Fitted with NBR seals

FEATURES

- Simple push action for decompression
- Available in 1/2" and 3/4" with M46 or M48 threads

ACCESSORIES

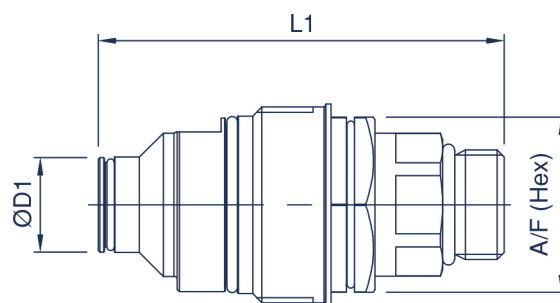
- Not applicable

SPECIFICATIONS

- Operating temperatures (With NBR seals): -40°C (-40°F) to 106°C (223°F)
- Maximum working pressure 350 bar

APPLICATIONS

- Quick changeover of construction equipment attachments
- Skid steer loaders
- Track loaders
- Excavators
- Compact loaders
- Utility vehicles



EZFFC CARTRIDGE

| Part Number | Thread Size | D1 | | L1 | | A/F | | Fits Faster Model |
|-------------|-------------|------|------|------|------|------|------|-------------------|
| | | mm | inch | mm | inch | mm | inch | |
| EZFFC-M46 | M46x1.5 | 46.0 | 1.81 | 88.1 | 3.47 | 32.0 | 1.26 | 4BD4FI |
| EZFFC-M48 | M48x1.5 | 49.2 | 1.94 | 99.2 | 3.91 | 32.0 | 1.26 | 4BD4FH |

For all other configurations or thread types please contact the sales office.

EZFFC Series





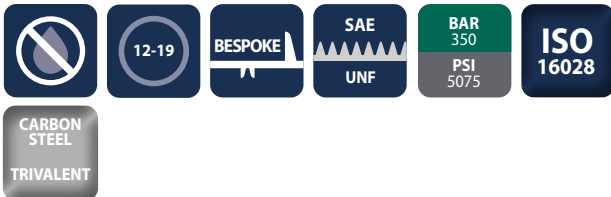
Decompression block

HDB Series



INTRODUCTION

Holmbury's HDB Series is a block coupling designed for the quick changeover of hydraulic attachments for skid steer loaders, compact loaders, backhoe loaders and compact utility vehicles. The decompression feature enables the operator to alleviate trapped pressure, allowing the quick and easy connection of various attachments.



CONSTRUCTION

- HDB block couplings are zinc nickel on body (1200 hours with no red rust in salt spray tests)
- Block body is ductile cast iron with trivalent plating
- Fitted with NBR and PTFE seals

FEATURES

- Decompression achieved by simple pull feature which also prevents accidental system discharge
- All couplings are flat face and are designed to the ISO 16028 Standard
- Low profile coupling design minimises side loading
- Coupling arrangement can be ordered in 1/2" (Size 12) for standard flow or 3/4" (Size 19) for high flow applications
- Case drain coupling is standard 3/8" (Size 10)

ACCESSORIES

- Not applicable

SPECIFICATIONS

- Operating temperatures (With NBR seals): -40°C (-40°F) to 106°C (223°F)
- Maximum working pressure 350 bar
- Decompression force 130 Nm at 275 bar trapped pressure

APPLICATIONS

- Quick changeover of construction equipment attachments
- Skid steer loaders
- Track loaders
- Excavators
- Compact loaders
- Utility vehicles

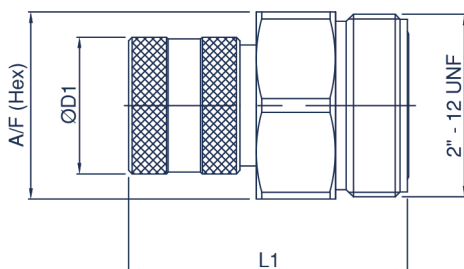
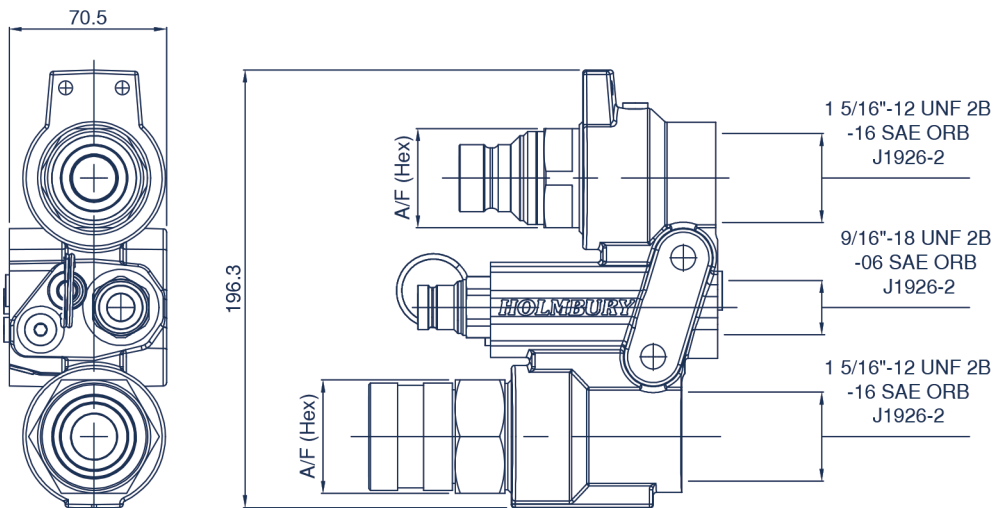
HDB PERFORMANCE CHARACTERISTICS

| Body Size | HDB12 | | HDB19 | |
|------------------------------------|-------------------------------|--|-------|--|
| | Pressure in bar - Flow in LPM | | | |
| | Pressure in PSI - Flow in GPM | | | |
| Maximum working pressure (Coupled) | 350 | | 350 | |
| | 5075 | | 5075 | |
| Burst pressure (Coupled) | 1400 | | 1450 | |
| | 20300 | | 21025 | |
| Burst pressure (Male) | 1300 | | 1100 | |
| | 18850 | | 15950 | |
| Burst pressure (Female) | 1000 | | 1050 | |
| | 14500 | | 15225 | |
| Rated flow | 45 | | 100 | |
| | 12 | | 26.4 | |

HDB Series

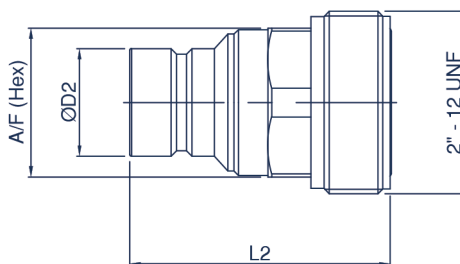
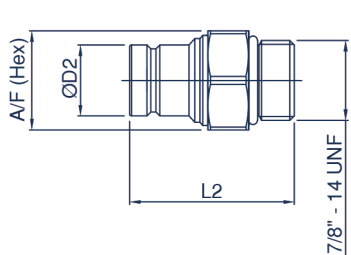
HDB BLOCK ASSEMBLY

| Body Size | Part Number |
|-----------|-------------|
| 12 (1/2) | HDB12 |
| 19 (3/4) | HDB19 |



HDB FEMALE REPLACEMENT PARTS

| Body Size | Part Number | Thread Size | A/F | | D1 | | L1 | |
|-----------|---------------|-------------|------|------|------|------|------|------|
| | | | mm | inch | mm | inch | mm | inch |
| 12 (1/2) | HDB12-F-24FSM | 2-12 UN | 51.0 | 2.01 | 38.0 | 1.50 | 70.0 | 2.76 |
| 19 (3/4) | HDB19-F-24FSM | 2-12 UN | 51.0 | 2.01 | 48.0 | 1.89 | 82.0 | 3.23 |



HDB MALE REPLACEMENT PARTS

| Body Size | Part Number | Thread Size | A/F | | D2 | | L2 | |
|-----------|---------------|-------------|------|------|-------|------|------|------|
| | | | mm | inch | mm | inch | mm | inch |
| 10 (3/8) | HDB10-M-10SM | 7/8-14 UNF | 25.4 | 1.00 | 19.72 | 0.78 | 46.0 | 1.81 |
| 12 (1/2) | HDB12-M-24FSM | 2-12 UN | 44.4 | 1.75 | 24.52 | 0.97 | 62.1 | 2.44 |
| 19 (3/4) | HDB19-M-24FSM | 2-12 UN | 44.4 | 1.75 | 29.93 | 1.18 | 72.4 | 2.85 |

For all other configurations or thread types please contact the sales office.



HDSL Series decompression block

HDSL Series



INTRODUCTION

Holmbury's 3-Line decompression block offers the perfect easy connection solution for skid steer loader, track loader and compact wheel loader machines. Designed as a drop in replacement for the Faster 4BD4FH and 4BD4FI block assembly without any re-plumbing.



CONSTRUCTION

- Block body is anodised aluminium
- Rear ports are carbon steel trivalent plated
- Couplings are carbon steel with zinc nickel plating (1200 hours with no red rust in salt spray tests)
- Supplied with NBR and Polyurethane seals with a back up ring in PTFE

FEATURES

- Push activation feature allows simple decompression
- Designed for use with standard 'off the shelf' ISO 16028 couplings
- Coupling arrangement can be ordered in 1/2" (Size 12) 5/8" (Size 16) or 3/4" (Size 19)
- Case drain coupling is standard 3/8" (Size 10)
- Alternative thread terminations available for rear ports

ACCESSORIES

- Not applicable

SPECIFICATIONS

- Operating temperatures (With NBR seals): -40°C (-40°F) to 106°C (223°F)
- Maximum working pressure 350 bar

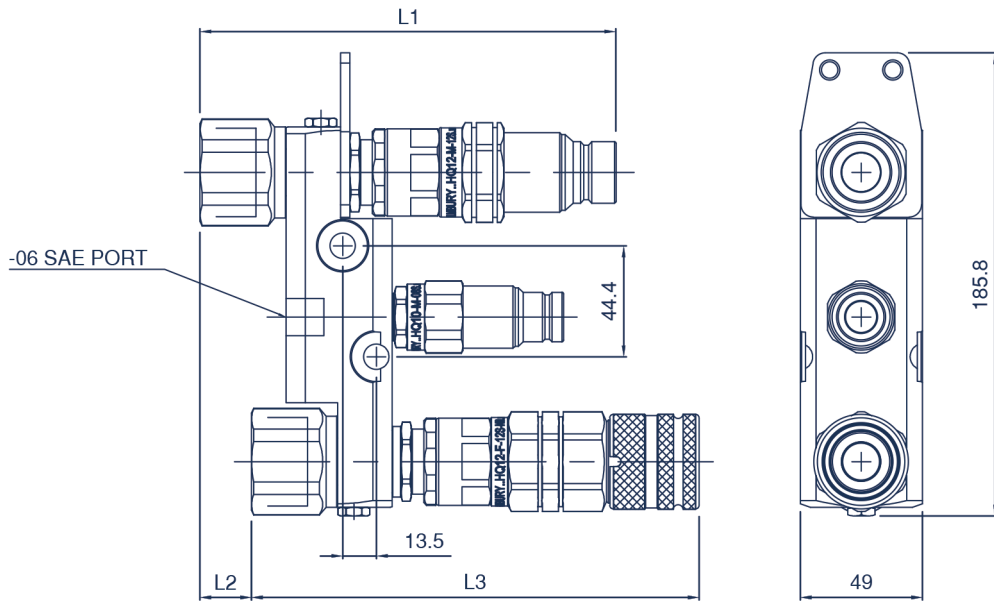
APPLICATIONS

- Quick changeover of construction equipment attachments
- Skid steer loaders
- Track loaders
- Excavators
- Compact loaders
- Utility vehicles

HDSL PERFORMANCE CHARACTERISTICS

| Body Size | HDSL12 | HDSL16 | HDSL19 |
|------------------------------------|-------------------------------|--------|--------|
| | Pressure in bar - Flow in LPM | | |
| | Pressure in PSI - Flow in GPM | | |
| Maximum working pressure (Coupled) | 350 | 350 | 350 |
| | 5075 | 5075 | 5075 |
| Burst pressure (Coupled) | 1400 | 1500 | 1450 |
| | 20300 | 21750 | 21025 |
| Burst pressure (Male) | 1300 | 1200 | 1100 |
| | 18850 | 17400 | 15950 |
| Burst pressure (Female) | 1000 | 1050 | 1050 |
| | 14500 | 15225 | 15225 |
| Rated flow | 45 | 74 | 100 |
| | 12 | 19.5 | 26.4 |

HDSL Series

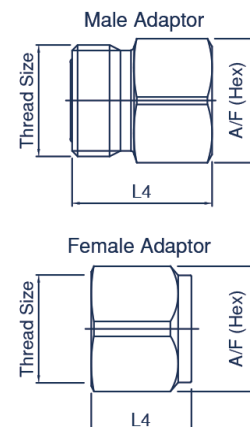


HDSL Series

| Body Size | Part Number | Thread Size | L1 | | L2 | | L3 | |
|-----------|--------------|--------------|-------|------|------|------|-------|------|
| | | | mm | inch | mm | inch | mm | inch |
| 12 (1/2) | HDSL12-10JM | 7/8-14 UNF | 177.8 | 7.00 | 34.4 | 1.35 | 176.8 | 6.96 |
| | HDSL12-12FSM | 1 3/16-12 UN | 171.0 | 6.73 | 34.4 | 1.35 | 170.0 | 6.69 |
| | HDSL12-12JM | 1 1/16-12 UN | 175.5 | 6.91 | 34.4 | 1.35 | 174.9 | 6.89 |
| | HDSL12-16S | 1 5/16-12 UN | 167.5 | 6.59 | 20.5 | 0.81 | 180.2 | 7.09 |
| 16 (5/8) | HDSL16-10JM | 7/8-14 UNF | 179.8 | 7.08 | 34.4 | 1.35 | 176.9 | 6.96 |
| | HDSL16-12FSM | 1 3/16-12 UN | 173.0 | 6.81 | 34.4 | 1.35 | 170.1 | 6.70 |
| | HDSL16-12JM | 1 1/16-12 UN | 177.5 | 6.99 | 34.4 | 1.35 | 175.0 | 6.89 |
| | HDSL16-16S | 1 5/16-12 UN | 169.5 | 6.67 | 20.5 | 0.81 | 180.3 | 7.10 |
| 19 (3/4) | HDSL19-10JM | 7/8-14 UNF | 190.8 | 7.51 | 34.4 | 1.35 | 192.1 | 7.56 |
| | HDSL19-12FSM | 1 3/16-12 UN | 184.0 | 7.24 | 34.4 | 1.35 | 185.3 | 7.30 |
| | HDSL19-12JM | 1 1/16-12 UN | 188.5 | 7.42 | 34.4 | 1.35 | 190.2 | 7.49 |
| | HDSL19-16S | 1 5/16-12 UN | 180.5 | 7.11 | 20.5 | 0.81 | 195.5 | 7.70 |

HDSL Replacement

| Replacement Part Number | Thread Size | L4 | | A/F | |
|-------------------------|--------------|------|------|------|------|
| | | mm | inch | mm | inch |
| HDSL-L-10JM | 7/8-14 UNF | 44.8 | 1.76 | 27.0 | 1.06 |
| HDSL-L-12FSM | 1 3/16-12 UN | 38.0 | 1.50 | 30.0 | 1.18 |
| HDSL-L-12JM | 1 1/16-12 UN | 42.5 | 1.67 | 27.0 | 1.06 |
| HDSL-F-10JM | 7/8-14 UNF | 31.1 | 1.22 | 27.0 | 1.06 |
| HDSL-F-12FSM | 1 3/16-12 UN | 24.3 | 0.96 | 30.0 | 1.18 |
| HDSL-F-12JM | 1 1/16-12 UN | 29.2 | 1.15 | 27.0 | 1.06 |
| HDSL-F-16S | 1 5/16-12 UN | 34.5 | 1.36 | 40.0 | 1.58 |
| HDSL-CARTRIDGE | M19X1 | 96.2 | 3.79 | 31.8 | 1.25 |



For all other configurations or thread types please contact the sales office.



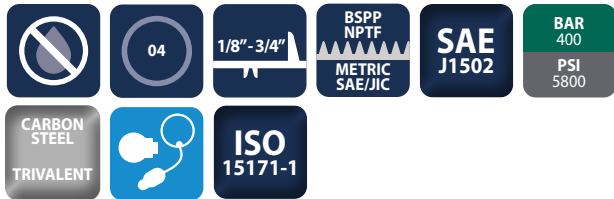
Diagnostic test point couplings made to the ISO 15171-1 and SAE J1502 standards

DTP Series



INTRODUCTION

Holmbury's DTP Series diagnostic test point couplings are designed to connect and disconnect pressure gauges to hydraulic systems for diagnostic purposes.



CONSTRUCTION

- Carbon steel with trivalent plating
- Fitted with NBR seals

FEATURES

- DTP male series meets or exceeds pressure requirements of ISO 15171-1 and SAE J1502
- Pull sleeve allows push to connect operation
- Allows for minimal inclusion of air and contaminants during connection
- Flat face design prevents fluid loss during disconnection
- Bidirectional flow

ACCESSORIES

- Dust caps are available for male DTP

SPECIFICATIONS

- Operating temperatures (with NBR seals): -40°C (-40°F) to 106°C (223°F)

APPLICATIONS

- Pressure testing on hydraulic systems

DTP PERFORMANCE CHARACTERISTICS

| Body Size | HDSL12 | |
|----------------------------|-------------------------------|-------------------------------|
| | Pressure in bar - Flow in LPM | Pressure in PSI - Flow in GPM |
| Maximum working pressure | 420 | 6090 |
| | Burst pressure (Male) | 1680 24360 |
| Rated flow @ 5 Bar delta p | 3 | 0.79 |

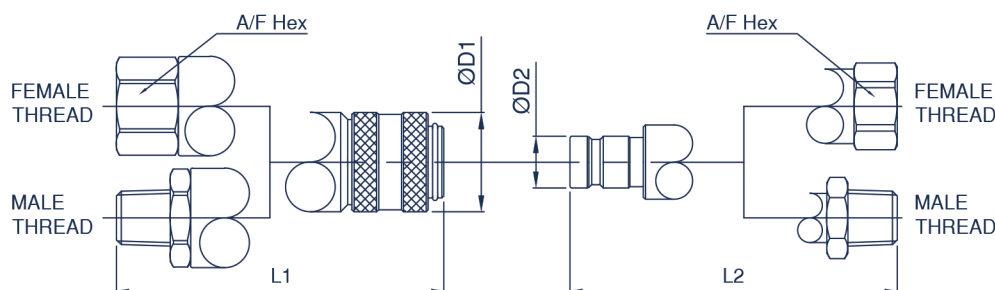
CAPS ACCESSORIES

| MALE CAPS |
|-------------|
| DTP04-M-CAP |

Standard colour is black pvc

DTP FEMALE COUPLING

| Standard | Part Number | Thread Size | A/F | | L1 | | D1 | |
|--------------|--------------|-------------|------|------|------|------|------|------|
| | | | mm | inch | mm | inch | mm | inch |
| ISO 228 | DTP04-F-04G | 1/4 BSPP | 21.0 | 0.83 | 50.0 | 1.97 | 24.0 | 0.94 |
| ANSI B1.20.1 | DTP04-F-02N | 1/8 NPTF | 21.0 | 0.83 | 45.5 | 1.79 | 24.0 | 0.94 |
| | DTP04-F-04N | 1/4 NPTF | 21.0 | 0.83 | 50.0 | 1.97 | 24.0 | 0.94 |
| ISO 11926 | DTP04-F-04S | 7/16-20 UNF | 21.0 | 0.83 | 50.0 | 1.97 | 24.0 | 0.94 |
| | DTP04-F-06S | 9/16-18 UNF | 21.0 | 0.83 | 53.0 | 2.09 | 24.0 | 0.94 |
| ISO 228 | DTP04-F-04GM | 1/4 BSPP | 19.0 | 0.75 | 57.3 | 2.26 | 24.0 | 0.94 |
| ANSI B1.20.1 | DTP04-F-04NM | 1/4 NPTF | 21.0 | 0.83 | 53.0 | 2.09 | 24.0 | 0.94 |



DTP MALE COUPLING

| Standard | Part Number | Thread Size | D2 | | L2 | | A/F | |
|--------------|-------------------|--------------|------|------|------|------|-------|---------|
| | | | mm | inch | mm | inch | mm | inch |
| ISO 8434-3 | DTP04-M-04FS-SWVL | 9/16-18 UNF | 12.6 | 0.50 | 53.0 | 2.09 | 19.0 | 0.75 |
| | DTP04-M-06FS-SWVL | 11/16-16 UN | 12.6 | 0.50 | 57.9 | 2.28 | 19/22 | .75/.87 |
| | DTP04-M-08FS | 13/16-16 UN | 12.6 | 0.50 | 39.3 | 1.55 | 27.0 | 1.06 |
| ISO 228 | DTP04-M-04G | 1/4 BSPP | 12.6 | 0.50 | 42.8 | 1.69 | 19.0 | 0.75 |
| ISO 8434-2 | DTP04-M-04J | 7/16-20 UNF | 12.6 | 0.50 | 42.5 | 1.67 | 17.5 | 0.69 |
| | DTP04-M-06J | 9/16-18 UNF | 12.6 | 0.50 | 43.8 | 1.72 | 21.0 | 0.83 |
| | DTP04-M-08J | 3/4-16 UNF | 12.6 | 0.50 | 43.3 | 1.70 | 22.0 | 0.87 |
| | DTP04-M-12J | 1 1/16-12 UN | 12.6 | 0.50 | 50.8 | 2.00 | 32.0 | 1.26 |
| ANSI B1.20.1 | DTP04-M-02N | 1/8 NPTF | 12.6 | 0.50 | 43.0 | 1.69 | 19.0 | 0.75 |
| | DTP04-M-04N | 1/4 NPTF | 12.6 | 0.50 | 43.0 | 1.69 | 19.0 | 0.75 |
| ISO 11926 | DTP04-M-04S | 7/16-20 UNF | 12.6 | 0.50 | 43.0 | 1.69 | 19.0 | 0.75 |
| ISO 228 | DTP04-M-04GM | 1/4 BSPP | 12.6 | 0.50 | 39.9 | 1.57 | 19.0 | 0.75 |
| ISO 6149 | DTP04-M-14X1.5MM | M14X1.5 | 12.6 | 0.50 | 35.1 | 1.38 | 19.0 | 0.75 |
| ANSI B1.20.1 | DTP04-M-02NM | 1/8 NPTF | 12.6 | 0.50 | 46.8 | 1.84 | 19.0 | 0.75 |
| | DTP04-M-04NM | 1/4 NPTF | 12.6 | 0.50 | 35.1 | 1.38 | 17.0 | 0.67 |
| ISO 11926 | DTP04-M-02SM | 5/16-24 UNF | 12.6 | 0.50 | 44.8 | 1.76 | 19.0 | 0.75 |
| | DTP04-M-04SM | 7/16-20 UNF | 12.6 | 0.50 | 46.4 | 1.83 | 19.0 | 0.75 |
| | DTP04-M-05SM | 1/2-20 UNF | 12.6 | 0.50 | 46.4 | 1.83 | 19.0 | 0.75 |
| | DTP04-M-06SM | 9/16-18 UNF | 12.6 | 0.50 | 33.1 | 1.30 | 17.5 | 0.69 |

For all other configurations or thread types please contact the sales office.



Multi-Coupling

MC Series



INTRODUCTION

Holmbury's MC Series multiplate couplings allow the simultaneous connection of multiple hydraulic lines. The MC Series inherits the benefits of Holmbury's flat face coupling design. Currently available from stock in 2, 4 or 6 port design. Customisation available upon request.



CONSTRUCTION

- Couplings and handle - Carbon steel with zinc nickel plating (1200 hours with no red rust in salt spray tests)
- Body - Aluminium black anodised
- Button - Red Nylon
- Supplied with NBR and Polyurethane seals with a back up ring in PTFE

FEATURES

- Connect under pressure male couplings
- Couplings are circlip mounted and can be replaced or removed easily
- Flat faces are easily wiped clean
- Bidirectional flow

- Allows for minimal inclusion of air and contaminants during connection
- Flat face design prevents fluid loss during disconnection

ACCESSORIES

- Spare parts are available upon request

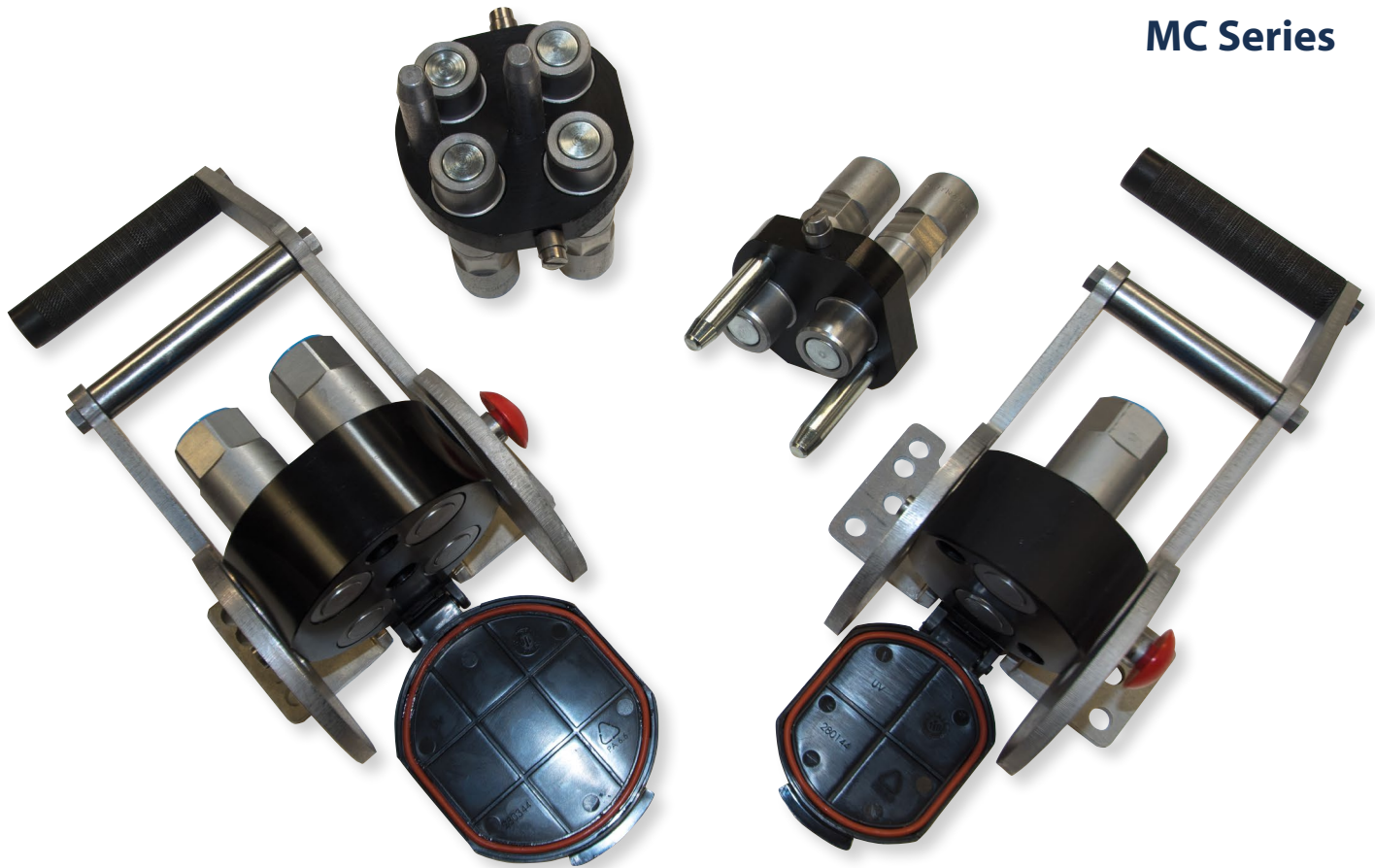
SPECIFICATIONS & APPLICATIONS

- Operating temperatures -25 Degrees C (13 degrees F) to 100 degrees C (212 degrees F). Spare parts available on request
- Leak free environments
- Mobile construction equipment
- Tractors and other agricultural machinery

MC PERFORMANCE CHARACTERISTICS

| Model | Port Configuration / Size | Working Pressure | Rated Flow @ 2 Bar delta p |
|-------------|---------------------------|-------------------------------|----------------------------|
| | | Pressure in bar - Flow in LPM | |
| | | Pressure in PSI - Flow in GPM | |
| 2 Lines | 2x 10 (3/8) | 350 | 50 |
| | | 5076 | 13.2 |
| | 2x 12 (1/2) | 280 | 79 |
| | | 4061 | 20.9 |
| 4 Lines | 4x 10 (3/8) | 280 | 50 |
| | | 4061 | 13.2 |
| | 4x 12 (1/2) | 250 | 79 |
| | | 3626 | 20.9 |
| | 2x 12 (1/2) | 250 | 79 (12) 90 (16) |
| | 2x 16 (5/8) | 3626 | 20.9 (1/2) 23.8 (5/8) |
| 4x 16 (5/8) | 250 | 90 | |
| 5 Lines | 3x 06 (1/4) | 300 | 40 (06) 50 (10) |
| | 2x 10 (3/8) | 4351 | 10.6 (1/4) 13.2 (3/8) |
| 6 Lines | 6x 10 (3/8) | 250 | 50 |
| | | 3626 | 13.2 |

MC Series



| Model | Fixed Half | Mobile Half |
|----------------|-----------------------|-----------------------|
| 2 Lines | MC10-2-06G-F | MC10-2-06G-M |
| | MC10-2-06S-F | MC10-2-06S-M |
| | MC12-2-08G-F | MC12-2-08G-M |
| | MC12-2-08S-F | MC12-2-08S-M |
| 4 Lines | MC10-4-06G-F | MC10-4-06G-M |
| | MC10-4-06S-F | MC10-4-06S-M |
| | MC12-4-08G-F | MC12-4-08G-M |
| | MC12-4-08S-F | MC12-4-08S-M |
| | MC12-2-08G-16-2-12G-F | MC12-2-08G-16-2-12G-M |
| | MC12-2-08S-16-2-12S-F | MC12-2-08S-16-2-12S-M |
| | MC16-4-12G-F | MC16-4-12G-M |
| | MC16-4-12S-F | MC16-4-12S-M |
| 5 Lines | MC06-2-04G-10-2-06G-F | MC06-2-04G-10-2-06G-M |
| | MC06-2-06S-10-2-06S-F | MC06-2-06S-10-2-06S-M |
| | MC06-3-04G-F | MC06-3-04G-M |
| | MC06-3-06S-F | MC06-3-06S-M |
| | MC06-3-04G-10-2-06G-F | MC06-3-04G-10-2-06G-M |
| | MC06-3-06S-10-2-06S-F | MC06-3-06S-10-2-06S-M |
| 6 Lines | MC10-6-08G-F | MC10-6-08G-M |
| | MC10-6-08S-F | MC10-6-08S-M |

| Body Size | Threads available |
|-----------------|-----------------------|
| 06 (1/4) | 1/4 BSPP |
| | 9/16-18 UNF ORB |
| | M14X1.5 L8 |
| | 11/16-16 UN Male ORFS |
| 10 (3/8) | 3/8 BSPP |
| | 1/2 BSPP |
| | 11/16-16 UN Male ORFS |
| | 13/16-16 UN Male ORFS |
| | 9/16-18 UNF ORB |
| | M18X1.5 L12 |
| 12 (1/2) | M22X1.5 L15 |
| | 1/2 BSPP |
| | 1/2 NPTF |
| | 3/4-16 UNF ORB |
| 16 (5/8) | M24X1.5 S16 |
| | 3/4 BSPP |
| | 1 1/16-12 UN ORB |

Also available with 4 line, size 10 control valve mount and 5 line with optional electrical plug. For all other configurations or thread types please contact the sales office.

Multi-coupling Part Codes

The order codes for the multi-coupling series is similar to the system for identifying quick disconnects but varies in some respects. For models with one size line the format is as follows:





POPPET AND BALL COUPLINGS

Poppet and ball style couplings offer a durable and fast connecting solution for multi-purpose duties.





General purpose poppet and ball range of couplings for multiple applications.



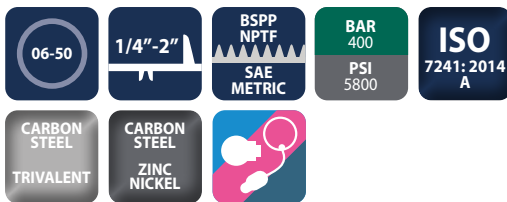
ISO A couplings made to the ISO 7241:2014 Series A Standard

IA, IAZ Series



INTRODUCTION

Holmbury's IA Series ISO A couplings are the ideal choice where a tough, durable product of superior quality is required. They are perfectly suited to agricultural and industrial applications.



CONSTRUCTION

- Carbon steel with trivalent plating (Zinc nickel plating available)
- Fitted with NBR seals (FKM seals available)
- Also available in AISI 316 stainless steel (See IAS Series)
- Also available in Ford style

FEATURES

- Optional zinc nickel plating provides corrosion resistance (1200 hours with no red rust in salt spray tests)
- Poppet valves have balanced springs
- Locking ball system allows quick connection
- Bidirectional flow

ACCESSORIES

- Dust caps, plugs, parking stations and seal kits are available for the IA Series

SPECIFICATIONS

- Operating temperatures (with NBR seals): -40°C (-40°F) to 106°C (223°F), (with FKM seals): -20°C (-4°F) to 200°C (392°F)

APPLICATIONS

- Agricultural
- Mobile
- Construction
- General hydraulics

IA, IAZ, PERFORMANCE CHARACTERISTICS

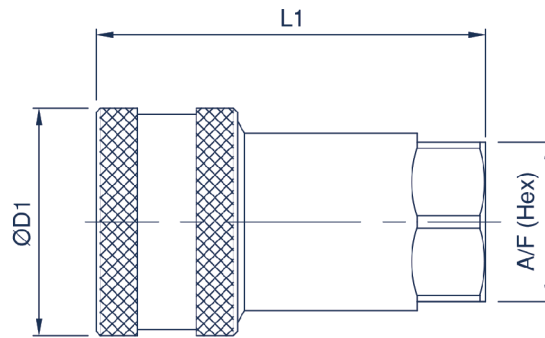
| Body Size | IA06 | IA10 | IA12 | IA19 | IA25 | IA32 | IA40 | IA50 |
|------------------------------------|-------------------------------|---------------|---------------|---------------|---------------|---------------|---------------|--------------|
| | Pressure in bar - Flow in LPM | | | | | | | |
| | Pressure in PSI - Flow in GPM | | | | | | | |
| Maximum working pressure (Coupled) | 400 5800 | 350 5075 | 320 4640 | 300 4350 | 250 3625 | 250 3625 | 230 3335 | 170 2465 |
| Burst pressure (Coupled) | 2200 31900 | 1800 26100 | 1500 21750 | 1300 18850 | 1200 17400 | 1200 17400 | 1000 14500 | 800 11600 |
| Burst pressure (Male) | 1900 27550 | 1700 24650 | 1500 21750 | 1300 18850 | 1100 15950 | 1200 17400 | 1000 14500 | 800 11600 |
| Burst pressure (Female) | 1800 26100 | 1600 23200 | 1400 20300 | 1200 17400 | 1000 14500 | 1150 16675 | 900 13050 | 750 10875 |
| Rated flow | 3 0.8 | 23 6.1 | 45 12 | 106 28 | 189 50 | 288 76 | 379 100 | 757 200 |

CAPS/PLUGS ACCESSORIES

| FEMALE PLUGS | MALE CAPS |
|--------------|------------|
| IA06-F-PLUG | IA06-M-CAP |
| IA10-F-PLUG | IA10-M-CAP |
| IA12-F-PLUG | IA12-M-CAP |
| IA19-F-PLUG | IA19-M-CAP |
| IA25-F-PLUG | IA25-M-CAP |

Standard colour is red pvc, other colours available upon request

IA, IAZ Series



IA, IAZ FEMALE COUPLING

| Body Size | Part Number | Thread Size | D1 | | L1 | | A/F | |
|------------|-------------|--------------|------|------|-------|------|------|------|
| | | | mm | inch | mm | inch | mm | inch |
| 06 (1/4) | IA06-F-04G | 1/4 BSPP | 26.0 | 1.02 | 50.0 | 1.79 | 19.0 | 0.75 |
| | IA06-F-04N | 1/4 NPTF | 26.0 | 1.02 | 50.0 | 1.79 | 19.0 | 0.75 |
| | IA06-F-04S | 7/16-20 UNF | 26.0 | 1.02 | 50.0 | 1.79 | 19.0 | 0.75 |
| 10 (3/8) | IA10-F-06G | 3/8 BSPP | 31.5 | 1.24 | 56.0 | 2.21 | 22.0 | 0.87 |
| | IA10-F-06N | 3/8 NPTF | 31.5 | 1.24 | 56.0 | 2.21 | 22.0 | 0.87 |
| | IA10-F-06S | 9/16-18 UNF | 31.5 | 1.24 | 56.0 | 2.21 | 22.0 | 0.87 |
| 12 (1/2) | IA12-F-08G | 1/2 BSPP | 38.6 | 1.52 | 66.3 | 2.61 | 27.0 | 1.06 |
| | IA12-F-08N | 1/2 NPTF | 38.6 | 1.52 | 66.3 | 2.61 | 27.0 | 1.06 |
| | IA12-F-08S | 3/4-16 UNF | 38.6 | 1.52 | 66.3 | 2.61 | 27.0 | 1.06 |
| | IA12-F-10S | 7/8-14 UNF | 38.6 | 1.52 | 66.3 | 2.61 | 27.0 | 1.06 |
| | IA12-F-12N | 3/4 NPTF | 38.6 | 1.52 | 66.3 | 2.61 | 32.0 | 1.26 |
| 19 (3/4) | IA19-F-12G | 3/4 BSPP | 48.0 | 1.89 | 80.2 | 3.16 | 34.0 | 1.34 |
| | IA19-F-12N | 3/4 NPTF | 48.0 | 1.89 | 80.2 | 3.16 | 34.0 | 1.34 |
| | IA19-F-12S | 1 1/16-12 UN | 48.0 | 1.89 | 80.2 | 3.16 | 34.0 | 1.34 |
| 25 (1) | IA25-F-16G | 1 BSPP | 56.0 | 2.20 | 94.2 | 3.71 | 41.0 | 1.61 |
| | IA25-F-16N | 1 NPTF | 56.0 | 2.20 | 94.2 | 3.71 | 41.0 | 1.61 |
| | IA25-F-16S | 1 5/16-12 UN | 56.0 | 2.20 | 94.2 | 3.71 | 41.0 | 1.61 |
| 32 (1 1/4) | IA32-F-20G | 1 1/4 BSPP | 69.4 | 2.73 | 117.1 | 4.61 | 50.0 | 1.97 |
| | IA32-F-20N | 1 1/4 NPTF | 69.4 | 2.73 | 117.1 | 4.61 | 50.0 | 1.97 |
| 40 (1 1/2) | IA40-F-24G | 1 1/2 BSPP | 84.0 | 3.31 | 133.0 | 5.24 | 60.0 | 2.36 |
| | IA40-F-24N | 1 1/2 NPTF | 84.0 | 3.31 | 133.0 | 5.24 | 60.0 | 2.36 |
| 50 (2) | IA50-F-32G | 2 BSPP | 99.0 | 3.90 | 165.0 | 6.50 | 75.0 | 2.95 |
| | IA50-F-32N | 2 NPTF | 99.0 | 3.90 | 165.0 | 6.50 | 75.0 | 2.95 |

SEAL KITS

- IA06-F-SEAL KIT
- IA10-F-SEAL KIT
- IA12-F-SEAL KIT
- IA19-F-SEAL KIT
- IA25-F-SEAL KIT
- IA32-F-SEAL KIT
- IA40-F-SEAL KIT
- IA50-F-SEAL KIT

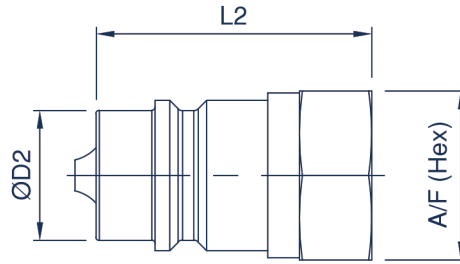
PARKING STATIONS

- IA12-F-PARKING STATION

For all other configurations or thread types please contact the sales office.



ISO A couplings made to the ISO 7241:2014 Series A Standard



IA, IAZ MALE COUPLING

| Body Size | Part Number | Thread Size | D2 | | L2 | | A/F | |
|-------------------|-------------|--------------|------|------|-------|------|------|------|
| | | | mm | inch | mm | inch | mm | inch |
| 06 (1/4) | IA06-M-04G | 1/4 BSPP | 11.8 | 0.46 | 35.5 | 1.40 | 19.0 | 0.75 |
| | IA06-M-04N | 1/4 NPTF | 11.8 | 0.46 | 35.5 | 1.40 | 19.0 | 0.75 |
| | IA06-M-04S | 7/16-20 UNF | 11.8 | 0.46 | 35.5 | 1.40 | 19.0 | 0.75 |
| 10 (3/8) | IA10-M-06G | 3/8 BSPP | 17.3 | 0.68 | 36.5 | 1.44 | 22.0 | 0.87 |
| | IA10-M-06N | 3/8 NPTF | 17.3 | 0.68 | 36.5 | 1.44 | 22.0 | 0.87 |
| | IA10-M-06S | 9/16-18 UNF | 17.3 | 0.68 | 36.5 | 1.44 | 22.0 | 0.87 |
| 12 (1/2) | IA12-M-08G | 1/2 BSPP | 20.5 | 0.81 | 43.5 | 1.71 | 27.0 | 1.06 |
| | IA12-M-08N | 1/2 NPTF | 20.5 | 0.81 | 43.5 | 1.71 | 27.0 | 1.06 |
| | IA12-M-08S | 3/4-16 UNF | 20.5 | 0.81 | 43.5 | 1.71 | 27.0 | 1.06 |
| | IA12-M-10S | 7/8-14 UNF | 20.5 | 0.81 | 43.5 | 1.71 | 27.0 | 1.06 |
| | IA12-M-12N | 3/4 NPTF | 20.5 | 0.81 | 43.5 | 1.71 | 27.0 | 1.06 |
| 19 (3/4) | IA19-M-12G | 3/4 BSPP | 29.1 | 1.14 | 57.0 | 2.24 | 35.0 | 1.38 |
| | IA19-M-12N | 3/4 NPTF | 29.1 | 1.14 | 57.0 | 2.24 | 35.0 | 1.38 |
| | IA19-M-12S | 1 1/16-12 UN | 29.1 | 1.14 | 57.0 | 2.24 | 35.0 | 1.38 |
| 25 (1) | IA25-M-16G | 1 BSPP | 34.3 | 1.35 | 59.5 | 2.34 | 41.0 | 1.61 |
| | IA25-M-16N | 1 NPTF | 34.3 | 1.35 | 59.5 | 2.34 | 41.0 | 1.61 |
| | IA25-M-16S | 1 5/16-12 UN | 34.3 | 1.35 | 59.5 | 2.34 | 41.0 | 1.61 |
| 32 (1 1/4) | IA32-M-20G | 1 1/4 BSPP | 45.0 | 1.77 | 75.0 | 2.95 | 50.0 | 1.97 |
| | IA32-M-20N | 1 1/4 NPTF | 45.0 | 1.77 | 75.0 | 2.95 | 50.0 | 1.97 |
| 40 (1 1/2) | IA40-M-24G | 1 1/2 BSPP | 55.0 | 2.16 | 83.5 | 3.29 | 60.0 | 2.36 |
| | IA40-M-24N | 1 1/2 NPTF | 55.0 | 2.16 | 83.5 | 3.29 | 60.0 | 2.36 |
| 50 (2) | IA50-M-32G | 2 BSPP | 65.1 | 2.56 | 105.0 | 4.13 | 75.0 | 2.95 |
| | IA50-M-32N | 2 NPTF | 65.1 | 2.56 | 105.0 | 4.13 | 75.0 | 2.95 |

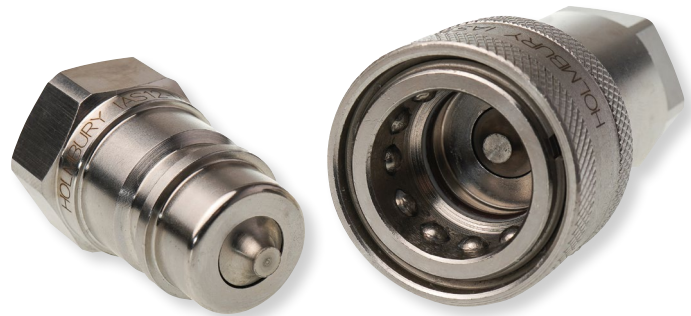
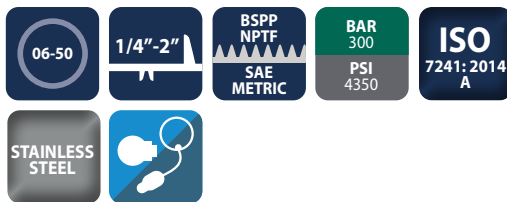
For all other configurations or thread types please contact the sales office.

IAS Series



INTRODUCTION

Holmbury's IAS Series stainless steel ISO A couplings incorporate all the benefits of the carbon steel IA Series couplings, whilst being perfectly suited for corrosive fluids and environments.



CONSTRUCTION

- AISI 316 stainless steel
- Fitted with FKM seals (Other seals available on request)
- Also available in carbon steel (See IA Series)

FEATURES

- Poppet valves have balanced springs
- Locking ball system allows for quick connection
- Bidirectional flow

ACCESSORIES

- Dust caps, plugs and seal kits are available for the IAS Series

SPECIFICATIONS

- Operating temperatures (With FKM seals): -20°C (-4°F) to 200°C (392°F)

APPLICATIONS

- Corrosive fluids and environments
- Marine
- Offshore/onshore
- Chemical
- Pharmaceutical

IAS PERFORMANCE CHARACTERISTICS

| Body Size | IAS06 | IAS10 | IAS12 | IAS19 | IAS25 | IAS32 | IAS40 | IAS50 |
|------------------------------------|-------|-------|-------|-------|-------|-------|-------|-------|
| | | | | | | | | |
| Pressure in PSI - Flow in GPM | | | | | | | | |
| Maximum working pressure (Coupled) | 300 | 250 | 250 | 250 | 200 | 140 | 140 | 90 |
| | 4350 | 3625 | 3625 | 3625 | 2900 | 2030 | 2030 | 1305 |
| Burst pressure (Coupled) | 900 | 750 | 750 | 750 | 600 | 420 | 420 | 270 |
| | 13050 | 10880 | 10880 | 10880 | 8700 | 6090 | 6090 | 3925 |
| Burst pressure (Male) | 950 | 820 | 820 | 820 | 650 | 450 | 470 | 300 |
| | 13780 | 11895 | 11895 | 11895 | 9430 | 6530 | 6815 | 4350 |
| Burst pressure (Female) | 900 | 750 | 750 | 750 | 600 | 420 | 420 | 270 |
| | 13055 | 10880 | 10880 | 10880 | 8700 | 6090 | 6090 | 3915 |
| Rated flow | 3 | 23 | 45 | 106 | 189 | 288 | 379 | 757 |
| | 0.8 | 6.1 | 12 | 28 | 50 | 76 | 100 | 200 |

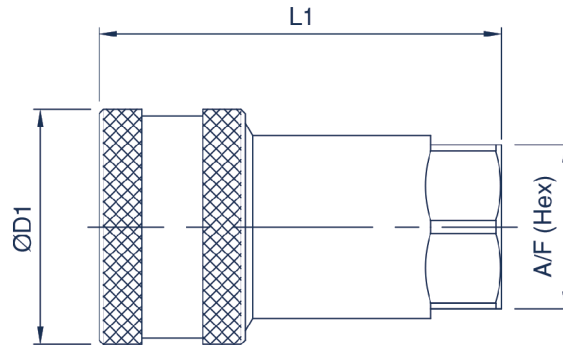
CAPS/PLUGS ACCESSORIES

| FEMALE PLUGS | MALE CAPS |
|--------------|------------|
| IA06-F-PLUG | IA06-M-CAP |
| IA10-F-PLUG | IA10-M-CAP |
| IA12-F-PLUG | IA12-M-CAP |
| IA19-F-PLUG | IA19-M-CAP |
| IA25-F-PLUG | IA25-M-CAP |

Standard colour is red pvc, other colours available upon request



ISO A couplings made to the ISO 7241:2014 Series A Standard

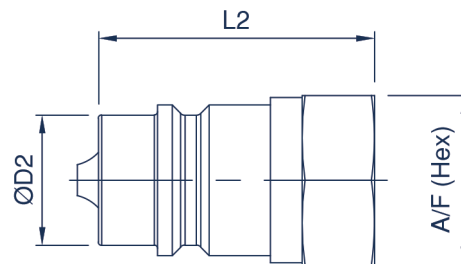


IAS FEMALE COUPLING

| Body Size | Part Number | Thread Size | D1 | | L1 | | A/F | |
|------------|-------------|--------------|------|------|-------|------|------|------|
| | | | mm | inch | mm | inch | mm | inch |
| 06 (1/4) | IAS06-F-04G | 1/4 BSPP | 26.0 | 1.02 | 50.0 | 1.79 | 19.0 | 0.75 |
| | IAS06-F-04N | 1/4 NPTF | 26.0 | 1.02 | 50.0 | 1.79 | 19.0 | 0.75 |
| | IAS06-F-04S | 7/16-20 UNF | 26.0 | 1.02 | 50.0 | 1.79 | 19.0 | 0.75 |
| 10 (3/8) | IAS10-F-06G | 3/8 BSPP | 31.5 | 1.24 | 56.0 | 2.21 | 22.0 | 0.87 |
| | IAS10-F-06N | 3/8 NPTF | 31.5 | 1.24 | 56.0 | 2.21 | 22.0 | 0.87 |
| | IAS10-F-06S | 9/16-18 UNF | 31.5 | 1.24 | 56.0 | 2.21 | 22.0 | 0.87 |
| 12 (1/2) | IAS12-F-08G | 1/2 BSPP | 38.6 | 1.52 | 66.3 | 2.61 | 27.0 | 1.06 |
| | IAS12-F-08N | 1/2 NPTF | 38.6 | 1.52 | 66.3 | 2.61 | 27.0 | 1.06 |
| | IAS12-F-08S | 3/4-16 UNF | 38.6 | 1.52 | 66.3 | 2.61 | 27.0 | 1.06 |
| | IAS12-F-10S | 7/8-14 UNF | 38.6 | 1.52 | 66.3 | 2.61 | 27.0 | 1.06 |
| | IAS12-F-12N | 3/4 NPTF | 38.6 | 1.52 | 66.3 | 2.61 | 32.0 | 1.26 |
| 19 (3/4) | IAS19-F-12G | 3/4 BSPP | 48.0 | 1.89 | 80.2 | 3.16 | 34.0 | 1.34 |
| | IAS19-F-12N | 3/4 NPTF | 48.0 | 1.89 | 80.2 | 3.16 | 34.0 | 1.34 |
| | IAS19-F-12S | 1 1/16-12 UN | 48.0 | 1.89 | 80.2 | 3.16 | 34.0 | 1.34 |
| 25 (1) | IAS25-F-16G | 1 BSPP | 56.0 | 2.20 | 94.2 | 3.71 | 41.0 | 1.61 |
| | IAS25-F-16N | 1 NPTF | 56.0 | 2.20 | 94.2 | 3.71 | 41.0 | 1.61 |
| | IAS25-F-16S | 1 5/16-12 UN | 56.0 | 2.20 | 94.2 | 3.71 | 41.0 | 1.61 |
| 32 (1 1/4) | IAS32-F-20G | 1 1/4 BSPP | 69.4 | 2.73 | 117.1 | 4.61 | 50.0 | 1.97 |
| | IAS32-F-20N | 1 1/4 NPTF | 69.4 | 2.73 | 117.1 | 4.61 | 50.0 | 1.97 |
| 40 (1 1/2) | IAS40-F-24G | 1 1/2 BSPP | 84.0 | 3.31 | 133.0 | 5.24 | 60.0 | 2.36 |
| | IAS40-F-24N | 1 1/2 NPTF | 84.0 | 3.31 | 133.0 | 5.24 | 60.0 | 2.36 |
| 50 (2) | IAS50-F-32G | 2 BSPP | 99.0 | 3.90 | 165.0 | 6.50 | 75.0 | 2.95 |
| | IAS50-F-32N | 2 NPTF | 99.0 | 3.90 | 165.0 | 6.50 | 75.0 | 2.95 |

SEAL KITS

- IAS06-F-SEAL KIT
- IAS10-F-SEAL KIT
- IAS12-F-SEAL KIT
- IAS19-F-SEAL KIT
- IAS25-F-SEAL KIT
- IAS32-F-SEAL KIT
- IAS40-F-SEAL KIT
- IAS50-F-SEAL KIT



IAS MALE COUPLING

| Body Size | Part Number | Thread Size | D2 | | L2 | | A/F | |
|------------|-------------|--------------|------|------|-------|------|------|------|
| | | | mm | inch | mm | inch | mm | inch |
| 06 (1/4) | IAS06-M-04G | 1/4 BSPP | 11.8 | 0.46 | 35.5 | 1.40 | 19.0 | 0.75 |
| | IAS06-M-04N | 1/4 NPTF | 11.8 | 0.46 | 35.5 | 1.40 | 19.0 | 0.75 |
| | IAS06-M-04S | 7/16-20 UNF | 11.8 | 0.46 | 35.5 | 1.40 | 19.0 | 0.75 |
| 10 (3/8) | IAS10-M-06G | 3/8 BSPP | 17.3 | 0.68 | 36.5 | 1.44 | 22.0 | 0.87 |
| | IAS10-M-06N | 3/8 NPTF | 17.3 | 0.68 | 36.5 | 1.44 | 22.0 | 0.87 |
| | IAS10-M-06S | 9/16-18 UNF | 17.3 | 0.68 | 36.5 | 1.44 | 22.0 | 0.87 |
| 12 (1/2) | IAS12-M-08G | 1/2 BSPP | 20.5 | 0.81 | 43.5 | 1.71 | 27.0 | 1.06 |
| | IAS12-M-08N | 1/2 NPTF | 20.5 | 0.81 | 43.5 | 1.71 | 27.0 | 1.06 |
| | IAS12-M-08S | 3/4-16 UNF | 20.5 | 0.81 | 43.5 | 1.71 | 27.0 | 1.06 |
| | IAS12-M-10S | 7/8-14 UNF | 20.5 | 0.81 | 43.5 | 1.71 | 27.0 | 1.06 |
| | IAS12-M-12N | 3/4 NPTF | 20.5 | 0.81 | 43.5 | 1.71 | 27.0 | 1.06 |
| 19 (3/4) | IAS19-M-12G | 3/4 BSPP | 29.1 | 1.14 | 57.0 | 2.24 | 35.0 | 1.38 |
| | IAS19-M-12N | 3/4 NPTF | 29.1 | 1.14 | 57.0 | 2.24 | 35.0 | 1.38 |
| | IAS19-M-12S | 1 1/16-12 UN | 29.1 | 1.14 | 57.0 | 2.24 | 35.0 | 1.38 |
| 25 (1) | IAS25-M-16G | 1 BSPP | 34.3 | 1.35 | 59.5 | 2.34 | 41.0 | 1.61 |
| | IAS25-M-16N | 1 NPTF | 34.3 | 1.35 | 59.5 | 2.34 | 41.0 | 1.61 |
| | IAS25-M-16S | 1 5/16-12 UN | 34.3 | 1.35 | 59.5 | 2.34 | 41.0 | 1.61 |
| 32 (1 1/4) | IAS32-M-20G | 1 1/4 BSPP | 45.0 | 1.77 | 75.0 | 2.95 | 50.0 | 1.97 |
| | IAS32-M-20N | 1 1/4 NPTF | 45.0 | 1.77 | 75.0 | 2.95 | 50.0 | 1.97 |
| 40 (1 1/2) | IAS40-M-24G | 1 1/2 BSPP | 55.0 | 2.16 | 83.5 | 3.29 | 60.0 | 2.36 |
| | IAS40-M-24N | 1 1/2 NPTF | 55.0 | 2.16 | 83.5 | 3.29 | 60.0 | 2.36 |
| 50 (2) | IAS50-M-32G | 2 BSPP | 65.1 | 2.56 | 105.0 | 4.13 | 75.0 | 2.95 |
| | IAS50-M-32N | 2 NPTF | 65.1 | 2.56 | 105.0 | 4.13 | 75.0 | 2.95 |

For all other configurations or thread types please contact the sales office.



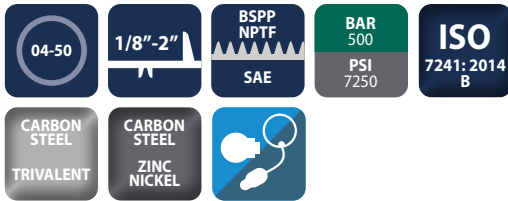
ISO B couplings made to the ISO 7241:2014 Series B Standard

IB, IBZ Series



INTRODUCTION

Holmbury's IB Series ISO B couplings are the ideal choice where a tough, durable product of superior quality is required. They are perfectly suited to agricultural and industrial applications.



CONSTRUCTION

- Carbon steel with trivalent plating (Zinc nickel plating available)
- Fitted with NBR seals (FKM seals available)
- Also available in AISI 316 stainless steel (See IBS Series)
- Also available in brass (See IBB Series)

FEATURES

- Optional zinc nickel plating provides corrosion resistance (1200 hours with no red rust in salt spray tests)
- Poppet valves have balanced springs
- Locking ball system allows quick connection
- Bidirectional flow

ACCESSORIES

- Dust caps, plugs and seal kits are available for the IB Series

SPECIFICATIONS

- Operating temperatures (with NBR seals): -40°C (-40°F) to 106°C (223°F), (with FKM seals): -20°C (-4°F) to 200°C (392°F)

APPLICATIONS

- Agricultural
- Mobile
- Construction
- General hydraulics

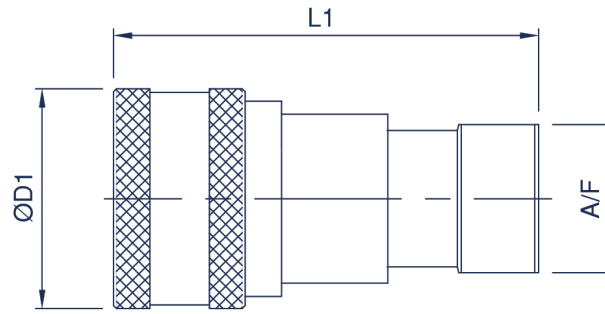
IB, IBZ PERFORMANCE CHARACTERISTICS

| Body Size | IB04 | IB06 | IB10 | IB12 | IB19 | IB25 | IB40 | IB50 |
|------------------------------------|-------------------------------|---------------|---------------|---------------|---------------|---------------|--------------|--------------|
| | Pressure in bar - Flow in LPM | | | | | | | |
| | Pressure in PSI - Flow in GPM | | | | | | | |
| Maximum working pressure (Coupled) | 500 7250 | 400 5800 | 350 5075 | 300 4350 | 300 4350 | 280 4060 | 170 2465 | 100 1450 |
| Burst pressure (Coupled) | 2300 33350 | 1750 25375 | 1500 21750 | 1320 19140 | 1200 17400 | 1150 16675 | 700 10150 | 500 7250 |
| Burst pressure (Male) | 1900 27550 | 1700 24650 | 1500 21750 | 1350 19575 | 1300 18850 | 1060 15370 | 750 10875 | 600 8700 |
| Burst pressure (Female) | 1950 28275 | 1800 26100 | 1550 22475 | 1400 20300 | 1350 19575 | 1100 15950 | 800 11600 | 700 10150 |
| Rated flow | 3 | 12 | 23 | 45 | 106 | 189 | 375 | 560 |
| | 0.8 | 3.2 | 6 | 12 | 28 | 50 | 99.1 | 148 |

CAPS/PLUGS ACCESSORIES

| FEMALE PLUGS | MALE CAPS |
|--------------|------------|
| IB06-F-PLUG | IB06-M-CAP |
| IB10-F-PLUG | IB10-M-CAP |
| IB12-F-PLUG | IB12-M-CAP |
| IB19-F-PLUG | IB19-M-CAP |
| IB25-F-PLUG | IB25-M-CAP |

Standard colour is red pvc, other colours available upon request



IB, IBZ FEMALE COUPLING

| Body Size | Part Number | Thread Size | D1 | | L1 | | A/F | |
|------------|-------------|--------------|-------|------|-------|------|------|------|
| | | | mm | inch | mm | inch | mm | inch |
| 04 (1/8) | IB04-F-02G | 1/8 BSPP | 24.0 | 0.94 | 48.0 | 1.89 | 14.0 | 0.55 |
| | IB04-F-02N | 1/8 NPTF | 24.0 | 0.94 | 48.0 | 1.89 | 14.0 | 0.55 |
| | IB04-F-04S | 7/16-20 UNF | 24.0 | 0.94 | 48.0 | 1.89 | 14.0 | 0.55 |
| 06 (1/4) | IB06-F-04G | 1/4 BSPP | 28.5 | 1.12 | 58.0 | 2.28 | 19.0 | 0.75 |
| | IB06-F-04N | 1/4 NPTF | 28.5 | 1.12 | 58.0 | 2.28 | 19.0 | 0.75 |
| | IB06-F-06S | 9/16-18 UNF | 28.5 | 1.12 | 58.0 | 2.28 | 19.0 | 0.75 |
| 10 (3/8) | IB10-F-06G | 3/8 BSPP | 35.0 | 1.38 | 65.0 | 2.56 | 24.0 | 0.95 |
| | IB10-F-06N | 3/8 NPTF | 35.0 | 1.38 | 65.0 | 2.56 | 24.0 | 0.95 |
| | IB10-F-06S | 9/16-18 UNF | 35.0 | 1.38 | 65.0 | 2.56 | 24.0 | 0.95 |
| | IB10-F-08S | 3/4-16 UN | 35.0 | 1.38 | 69.0 | 2.72 | 24.0 | 0.95 |
| 12 (1/2) | IB12-F-08G | 1/2 BSPP | 44.5 | 1.75 | 74.0 | 2.91 | 28.5 | 1.12 |
| | IB12-F-08N | 1/2 NPTF | 44.5 | 1.75 | 74.0 | 2.91 | 28.5 | 1.12 |
| | IB12-F-08S | 3/4-16 UNF | 44.5 | 1.75 | 74.0 | 2.91 | 28.5 | 1.12 |
| | IB12-F-10S | 7/8-14 UNF | 44.5 | 1.75 | 74.0 | 2.91 | 28.5 | 1.12 |
| 19 (3/4) | IB19-F-12G | 3/4 BSPP | 54.0 | 2.13 | 92.0 | 3.62 | 36.0 | 1.42 |
| | IB19-F-12N | 3/4 NPTF | 54.0 | 2.13 | 92.0 | 3.62 | 36.0 | 1.42 |
| | IB19-F-12S | 1 1/16-12 UN | 54.0 | 2.13 | 92.0 | 3.62 | 36.0 | 1.42 |
| 25 (1) | IB25-F-16G | 1 BSPP | 64.0 | 2.52 | 103.0 | 4.06 | 41.0 | 1.61 |
| | IB25-F-16N | 1 NPTF | 64.0 | 2.52 | 103.0 | 4.06 | 41.0 | 1.61 |
| | IB25-F-16S | 1 5/16-12 UN | 64.0 | 2.52 | 103.0 | 4.06 | 41.0 | 1.61 |
| 40 (1 1/2) | IB40-F-20G | 1 1/4 BSPP | 73.5 | 2.89 | 124.0 | 4.88 | 65.0 | 2.56 |
| | IB40-F-20N | 1 1/4 NPTF | 73.5 | 2.89 | 124.0 | 4.88 | 65.0 | 2.56 |
| | IB40-F-24G | 1 1/2 BSPP | 73.5 | 2.89 | 124.0 | 4.88 | 65.0 | 2.56 |
| | IB40-F-24N | 1 1/2 NPT | 73.5 | 2.89 | 124.0 | 4.88 | 65.0 | 2.56 |
| 50 (2) | IB50-F-32G | 2 BSPP | 101.0 | 3.98 | 141.5 | 5.57 | 90.0 | 3.54 |
| | IB50-F-32N | 2 NPTF | 101.0 | 3.98 | 141.5 | 5.57 | 90.0 | 3.54 |

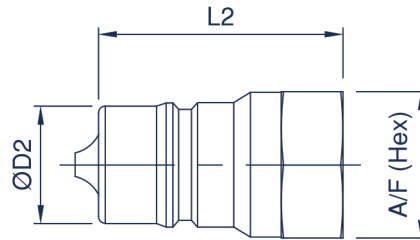
SEAL KITS

- IB04-F-SEAL KIT
- IB06-F-SEAL KIT
- IB10-F-SEAL KIT
- IB12-F-SEAL KIT
- IB19-F-SEAL KIT
- IB25-F-SEAL KIT
- IB40-F-SEAL KIT
- IB50-F-SEAL KIT

For all other configurations or thread types please contact the sales office.



ISO B couplings made to the ISO 7241:2014 Series B Standard



IB, IBZ MALE COUPLING

| Body Size | Part Number | Thread Size | D2 | | L2 | | A/F | |
|------------|-------------|--------------|------|------|-------|------|------|------|
| | | | mm | inch | mm | inch | mm | inch |
| 04 (1/8) | IB04-M-02G | 1/8 BSPP | 10.9 | 0.43 | 29.0 | 1.14 | 17.0 | 0.67 |
| | IB04-M-02N | 1/8 NPTF | 10.9 | 0.43 | 29.0 | 1.14 | 17.0 | 0.67 |
| | IB04-M-04S | 7/16-20 UNF | 10.9 | 0.43 | 29.0 | 1.14 | 17.0 | 0.67 |
| 06 (1/4) | IB06-M-04G | 1/4 BSPP | 14.2 | 0.56 | 36.0 | 1.42 | 19.0 | 0.75 |
| | IB06-M-04N | 1/4 NPTF | 14.2 | 0.56 | 36.0 | 1.42 | 19.0 | 0.75 |
| | IB06-M-06S | 9/16-18 UNF | 14.2 | 0.56 | 36.0 | 1.42 | 19.0 | 0.75 |
| 10 (3/8) | IB10-M-06G | 3/8 BSPP | 19.1 | 0.75 | 40.0 | 1.57 | 24.0 | 0.95 |
| | IB10-M-06N | 3/8 NPTF | 19.1 | 0.75 | 40.0 | 1.57 | 24.0 | 0.95 |
| | IB10-M-06S | 9/16-18 UNF | 19.1 | 0.75 | 40.0 | 1.57 | 24.0 | 0.95 |
| | IB10-M-08S | 3/4-16 UN | 19.1 | 0.75 | 44.0 | 1.73 | 24.0 | 0.95 |
| 12 (1/2) | IB12-M-08G | 1/2 BSPP | 23.5 | 0.93 | 46.5 | 1.83 | 28.5 | 1.12 |
| | IB12-M-08N | 1/2 NPTF | 23.5 | 0.93 | 46.5 | 1.83 | 28.5 | 1.12 |
| | IB12-M-08S | 3/4-16 UNF | 23.5 | 0.93 | 46.5 | 1.83 | 28.5 | 1.12 |
| | IB12-M-10S | 7/8-14 UNF | 23.5 | 0.93 | 46.5 | 1.83 | 28.5 | 1.12 |
| 19 (3/4) | IB19-M-12G | 3/4 BSPP | 31.4 | 1.24 | 56.0 | 2.20 | 36.0 | 1.42 |
| | IB19-M-12N | 3/4 NPTF | 31.4 | 1.24 | 56.0 | 2.20 | 36.0 | 1.42 |
| | IB19-M-12S | 1 1/16-12 UN | 31.4 | 1.24 | 56.0 | 2.20 | 36.0 | 1.42 |
| 25 (1) | IB25-M-16G | 1 BSPP | 37.8 | 1.49 | 63.0 | 2.48 | 41.0 | 1.61 |
| | IB25-M-16N | 1 NPTF | 37.8 | 1.49 | 63.0 | 2.48 | 41.0 | 1.61 |
| | IB25-M-16S | 1 5/16-12 UN | 37.8 | 1.49 | 63.0 | 2.48 | 41.0 | 1.61 |
| 40 (1 1/2) | IB40-M-20G | 1 1/4 BSPP | 44.5 | 1.75 | 122.0 | 4.80 | 65.0 | 2.56 |
| | IB40-M-20N | 1 1/4 NPTF | 44.5 | 1.75 | 122.0 | 4.80 | 65.0 | 2.56 |
| | IB40-M-24G | 1 1/2 BSPP | 44.5 | 1.75 | 122.0 | 4.80 | 65.0 | 2.56 |
| | IB40-M-24N | 1 1/2 NPTF | 44.5 | 1.75 | 122.0 | 4.80 | 65.0 | 2.56 |
| 50 (2) | IB50-M-32G | 2 BSPP | 63.2 | 2.49 | 139.2 | 5.48 | 90.0 | 3.54 |
| | IB50-M-32N | 2 NPTF | 63.2 | 2.49 | 139.2 | 5.48 | 90.0 | 3.54 |

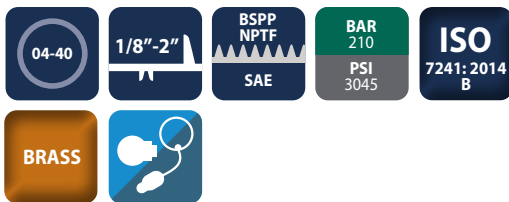
For all other configurations or thread types please contact the sales office.

IBB Series



INTRODUCTION

Holmbury's IBB Series brass ISO B couplings incorporate all the benefits of the carbon steel IB Series couplings whilst providing good corrosion resistance for specific applications.



CONSTRUCTION

- Brass body
- AISI 304 spring and AISI 304 locking ball
- Fitted with FKM seals
- Also available in carbon steel (See IB Series)
- Also available in AISI 316 stainless steel (See IBS Series)

FEATURES

- Poppet valves have balanced springs
- Locking ball system allows quick connection
- Bidirectional flow

ACCESSORIES

- Dust caps, plugs and seal kits are available for the IBB Series

SPECIFICATIONS

- Operating temperatures (With FKM seals): -20°C (-4°F) to 200°C (392°F)

APPLICATIONS

- Cooling systems
- Marine
- Offshore/onshore
- Chemical
- Pharmaceutical

IBB PERFORMANCE CHARACTERISTICS

| Body Size | IBB04 | IBB06 | IBB10 | IBB12 | IBB19 | IBB25 |
|------------------------------------|-------------------------------|---------------|---------------|---------------|---------------|---------------|
| | | | | | | |
| | Pressure in bar - Flow in LPM | | | | | |
| | Pressure in PSI - Flow in GPM | | | | | |
| Maximum working pressure (Coupled) | 210 3046 | 210 3046 | 180 2611 | 180 2611 | 140 2031 | 140 2031 |
| Burst pressure (Coupled) | 2300 33350 | 1750 25375 | 1500 21750 | 1320 19140 | 1200 17400 | 1150 16675 |
| Burst pressure (Male) | 1900 27550 | 1700 24650 | 1500 21750 | 1350 19575 | 1300 18850 | 1060 15370 |
| Burst pressure (Female) | 1950 28275 | 1800 26100 | 1550 22475 | 1400 20300 | 1350 19575 | 1100 15950 |
| Rated flow | 3 | 12 | 23 | 45 | 106 | 189 |
| | 0.8 | 3.2 | 6 | 12 | 28 | 50 |

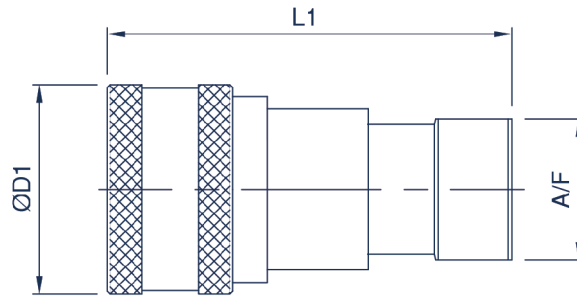
CAPS/PLUGS ACCESSORIES

| FEMALE PLUGS | MALE CAPS |
|--------------|------------|
| IB06-F-PLUG | IB06-M-CAP |
| IB10-F-PLUG | IB10-M-CAP |
| IB12-F-PLUG | IB12-M-CAP |
| IB19-F-PLUG | IB19-M-CAP |
| IB25-F-PLUG | IB25-M-CAP |

Standard colour is red pvc, other colours available upon request



ISO B couplings made to the ISO 7241:2014 Series B Standard

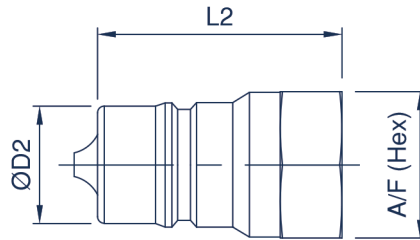


IBB FEMALE COUPLING

| Body Size | Part Number | Thread Size | D1 | | L1 | | A/F | |
|------------|-------------|--------------|-------|------|-------|------|------|------|
| | | | mm | inch | mm | inch | mm | inch |
| 04 (1/8) | IBB04-F-02G | 1/8 BSPP | 24.0 | 0.94 | 48.0 | 1.89 | 14.0 | 0.55 |
| | IBB04-F-02N | 1/8 NPTF | 24.0 | 0.94 | 48.0 | 1.89 | 14.0 | 0.55 |
| | IBB04-F-04S | 7/16-20 UNF | 24.0 | 0.94 | 48.0 | 1.89 | 14.0 | 0.55 |
| 06 (1/4) | IBB06-F-04G | 1/4 BSPP | 28.5 | 1.12 | 58.0 | 2.28 | 19.0 | 0.75 |
| | IBB06-F-04N | 1/4 NPTF | 28.5 | 1.12 | 58.0 | 2.28 | 19.0 | 0.75 |
| | IBB06-F-06S | 9/16-18 UNF | 28.5 | 1.12 | 58.0 | 2.28 | 19.0 | 0.75 |
| 10 (3/8) | IBB10-F-06G | 3/8 BSPP | 35.0 | 1.38 | 65.0 | 2.56 | 24.0 | 0.95 |
| | IBB10-F-06N | 3/8 NPTF | 35.0 | 1.38 | 65.0 | 2.56 | 24.0 | 0.95 |
| | IBB10-F-06S | 9/16-18 UNF | 35.0 | 1.38 | 65.0 | 2.56 | 24.0 | 0.95 |
| | IBB10-F-08S | 3/4-16 UN | 35.0 | 1.38 | 69.0 | 2.72 | 24.0 | 0.95 |
| 12 (1/2) | IBB12-F-08G | 1/2 BSPP | 44.5 | 1.75 | 74.0 | 2.91 | 28.5 | 1.12 |
| | IBB12-F-08N | 1/2 NPTF | 44.5 | 1.75 | 74.0 | 2.91 | 28.5 | 1.12 |
| | IBB12-F-08S | 3/4-16 UNF | 44.5 | 1.75 | 74.0 | 2.91 | 28.5 | 1.12 |
| | IBB12-F-10S | 7/8-14 UNF | 44.5 | 1.75 | 74.0 | 2.91 | 28.5 | 1.12 |
| 19 (3/4) | IBB19-F-12G | 3/4 BSPP | 54.0 | 2.13 | 92.0 | 3.62 | 36.0 | 1.42 |
| | IBB19-F-12N | 3/4 NPTF | 54.0 | 2.13 | 92.0 | 3.62 | 36.0 | 1.42 |
| | IBB19-F-12S | 1 1/16-12 UN | 54.0 | 2.13 | 92.0 | 3.62 | 36.0 | 1.42 |
| 25 (1) | IBB25-F-16G | 1 BSPP | 64.0 | 2.52 | 103.0 | 4.06 | 41.0 | 1.61 |
| | IBB25-F-16N | 1 NPTF | 64.0 | 2.52 | 103.0 | 4.06 | 41.0 | 1.61 |
| | IBB25-F-16S | 1 5/16-12 UN | 64.0 | 2.52 | 103.0 | 4.06 | 41.0 | 1.61 |
| 40 (1 1/2) | IBB40-F-20G | 1 1/4 BSPP | 73.5 | 2.89 | 124.0 | 4.88 | 65.0 | 2.56 |
| | IBB40-F-20N | 1 1/4 NPTF | 73.5 | 2.89 | 124.0 | 4.88 | 65.0 | 2.56 |
| | IBB40-F-24G | 1 1/2 BSPP | 73.5 | 2.89 | 124.0 | 4.88 | 65.0 | 2.56 |
| | IBB40-F-24N | 1 1/2 NPT | 73.5 | 2.89 | 124.0 | 4.88 | 65.0 | 2.56 |
| 50 (2) | IBB50-F-32G | 2 BSPP | 101.0 | 3.98 | 141.5 | 5.57 | 90.0 | 3.54 |
| | IBB50-F-32N | 2 NPTF | 101.0 | 3.98 | 141.5 | 5.57 | 90.0 | 3.54 |

SEAL KITS

- IBB04-F-SEAL KIT
- IBB06-F-SEAL KIT
- IBB10-F-SEAL KIT
- IBB12-F-SEAL KIT
- IBB19-F-SEAL KIT
- IBB25-F-SEAL KIT



IBB MALE COUPLING

| Body Size | Part Number | Thread Size | D2 | | L2 | | A/F | |
|------------|-------------|--------------|------|------|-------|------|------|------|
| | | | mm | inch | mm | inch | mm | inch |
| 04 (1/8) | IBB04-M-02G | 1/8 BSPP | 10.9 | 0.43 | 29.0 | 1.14 | 17.0 | 0.67 |
| | IBB04-M-02N | 1/8 NPTF | 10.9 | 0.43 | 29.0 | 1.14 | 17.0 | 0.67 |
| | IBB04-M-04S | 7/16-20 UNF | 10.9 | 0.43 | 29.0 | 1.14 | 17.0 | 0.67 |
| 06 (1/4) | IBB06-M-04G | 1/4 BSPP | 14.2 | 0.56 | 36.0 | 1.42 | 19.0 | 0.75 |
| | IBB06-M-04N | 1/4 NPTF | 14.2 | 0.56 | 36.0 | 1.42 | 19.0 | 0.75 |
| | IBB06-M-06S | 9/16-18 UNF | 14.2 | 0.56 | 36.0 | 1.42 | 19.0 | 0.75 |
| 10 (3/8) | IBB10-M-06G | 3/8 BSPP | 19.1 | 0.75 | 40.0 | 1.57 | 24.0 | 0.95 |
| | IBB10-M-06N | 3/8 NPTF | 19.1 | 0.75 | 40.0 | 1.57 | 24.0 | 0.95 |
| | IBB10-M-06S | 9/16-18 UNF | 19.1 | 0.75 | 40.0 | 1.57 | 24.0 | 0.95 |
| | IBB10-M-08S | 3/4-16 UN | 19.1 | 0.75 | 44.0 | 1.73 | 24.0 | 0.95 |
| 12 (1/2) | IBB12-M-08G | 1/2 BSPP | 23.5 | 0.93 | 46.5 | 1.83 | 28.5 | 1.12 |
| | IBB12-M-08N | 1/2 NPTF | 23.5 | 0.93 | 46.5 | 1.83 | 28.5 | 1.12 |
| | IBB12-M-08S | 3/4-16 UNF | 23.5 | 0.93 | 46.5 | 1.83 | 28.5 | 1.12 |
| | IBB12-M-10S | 7/8-14 UNF | 23.5 | 0.93 | 46.5 | 1.83 | 28.5 | 1.12 |
| 19 (3/4) | IBB19-M-12G | 3/4 BSPP | 31.4 | 1.24 | 56.0 | 2.20 | 36.0 | 1.42 |
| | IBB19-M-12N | 3/4 NPTF | 31.4 | 1.24 | 56.0 | 2.20 | 36.0 | 1.42 |
| | IBB19-M-12S | 1 1/16-12 UN | 31.4 | 1.24 | 56.0 | 2.20 | 36.0 | 1.42 |
| 25 (1) | IBB25-M-16G | 1 BSPP | 37.8 | 1.49 | 63.0 | 2.48 | 41.0 | 1.61 |
| | IBB25-M-16N | 1 NPTF | 37.8 | 1.49 | 63.0 | 2.48 | 41.0 | 1.61 |
| | IBB25-M-16S | 1 5/16-12 UN | 37.8 | 1.49 | 63.0 | 2.48 | 41.0 | 1.61 |
| 40 (1 1/2) | IBB40-M-20G | 1 1/4 BSPP | 44.5 | 1.75 | 122.0 | 4.80 | 65.0 | 2.56 |
| | IBB40-M-20N | 1 1/4 NPTF | 44.5 | 1.75 | 122.0 | 4.80 | 65.0 | 2.56 |
| | IBB40-M-24G | 1 1/2 BSPP | 44.5 | 1.75 | 122.0 | 4.80 | 65.0 | 2.56 |
| | IBB40-M-24N | 1 1/2 NPTF | 44.5 | 1.75 | 122.0 | 4.80 | 65.0 | 2.56 |
| 50 (2) | IBB50-M-32G | 2 BSPP | 63.2 | 2.49 | 139.2 | 5.48 | 90.0 | 3.54 |
| | IBB50-M-32N | 2 NPTF | 63.2 | 2.49 | 139.2 | 5.48 | 90.0 | 3.54 |

For all other configurations or thread types please contact the sales office.



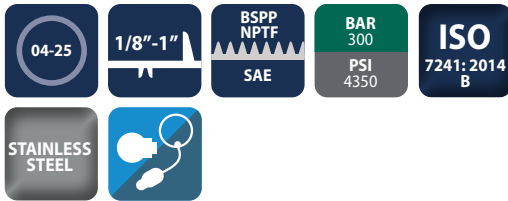
Stainless steel ISO B couplings made to the ISO 7241:2014 Series B Standard dimensions

IBS Series



INTRODUCTION

Holmbury's IBS Series stainless steel ISO B couplings incorporate all the benefits of the carbon steel IB Series couplings, whilst being perfectly suited for corrosive fluids and environments.



CONSTRUCTION

- AISI 316 stainless steel
- Fitted with FKM seals (Other seals available on request)
- Also available in brass (See IBB Series)
- Also available in carbon steel (See IB Series)

FEATURES

- Poppet valves have balanced springs
- Locking ball system allows for quick connection
- Bidirectional flow

ACCESSORIES

- Dust caps, plugs, and seal kits are available for IBS Series

SPECIFICATIONS

- Operating temperatures (With FKM seals): -20°C (-4°F) to 200°C (392°F)

APPLICATIONS

- Corrosive fluids and environments
- Marine
- Offshore/onshore
- Chemical
- Pharmaceutical

PERFORMANCE CHARACTERISTICS

| Body Size | IBS04 | IBS06 | IBS10 | IBS12 | IBS19 | IBS25 |
|------------------------------------|-------------------------------|-------|-------|-------|-------|-------|
| | Pressure in bar - Flow in LPM | | | | | |
| | Pressure in PSI - Flow in GPM | | | | | |
| Maximum working pressure (Coupled) | 300 | 300 | 250 | 250 | 250 | 200 |
| | 4351 | 4351 | 3626 | 3626 | 3626 | 2901 |
| Burst pressure (Coupled) | 900 | 900 | 750 | 750 | 750 | 600 |
| | 13053 | 13053 | 10878 | 10878 | 10878 | 8702 |
| Burst pressure (Male) | 1000 | 950 | 850 | 800 | 800 | 650 |
| | 14504 | 13779 | 12328 | 11603 | 11603 | 9427 |
| Burst pressure (Female) | 900 | 900 | 750 | 750 | 750 | 600 |
| | 13053 | 13053 | 10878 | 10878 | 10878 | 8702 |
| Rated flow | 3 | 12 | 23 | 45 | 106 | 189 |
| | 0.8 | 3.2 | 6 | 12 | 28 | 50 |

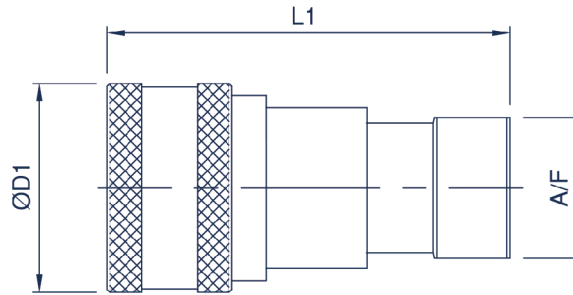
CAPS/PLUGS ACCESSORIES

| FEMALE PLUGS | MALE CAPS |
|--------------|------------|
| IB06-F-PLUG | IB06-M-CAP |
| IB10-F-PLUG | IB10-M-CAP |
| IB12-F-PLUG | IB12-M-CAP |
| IB19-F-PLUG | IB19-M-CAP |
| IB25-F-PLUG | IB25-M-CAP |

Standard colour is red pvc, other colours available upon request

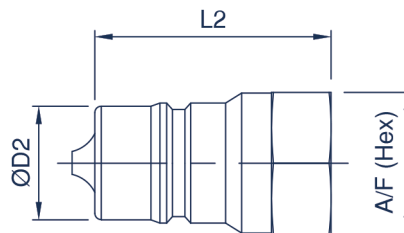
SEAL KITS

| |
|------------------|
| IBS04-F-SEAL KIT |
| IBS06-F-SEAL KIT |
| IBS10-F-SEAL KIT |
| IBS12-F-SEAL KIT |
| IBS19-F-SEAL KIT |
| IBS25-F-SEAL KIT |



IBS FEMALE COUPLING

| Body Size | Part Number | Thread Size | D1 | | L1 | | A/F | |
|-----------|-------------|-------------|------|------|-------|------|------|------|
| | | | mm | inch | mm | inch | mm | inch |
| 04 (1/8) | IBS04-F-02G | 1/8 BSPP | 24.0 | 0.94 | 50.0 | 1.97 | 17.0 | 0.67 |
| | IBS04-F-02N | 1/8 NPTF | 24.0 | 0.94 | 50.0 | 1.97 | 17.0 | 0.67 |
| 06 (1/4) | IBS06-F-04G | 1/4 BSPP | 28.5 | 1.12 | 58.0 | 2.28 | 19.0 | 0.75 |
| | IBS06-F-04N | 1/4 NPTF | 28.5 | 1.12 | 58.0 | 2.28 | 19.0 | 0.75 |
| 10 (3/8) | IBS10-F-06G | 3/8 BSPP | 35.0 | 1.38 | 65.0 | 2.56 | 24.0 | 0.94 |
| | IBS10-F-06N | 3/8 NPTF | 35.0 | 1.38 | 65.0 | 2.56 | 24.0 | 0.94 |
| 12 (1/2) | IBS12-F-08G | 1/2 BSPP | 44.5 | 1.75 | 73.4 | 2.89 | 30.0 | 1.18 |
| | IBS12-F-08N | 1/2 NPTF | 44.5 | 1.75 | 73.4 | 2.89 | 30.0 | 1.18 |
| 19 (3/4) | IBS19-F-12G | 3/4 BSPP | 54.0 | 2.13 | 92.0 | 3.62 | 36.0 | 1.42 |
| | IBS19-F-12N | 3/4 NPTF | 54.0 | 2.13 | 92.0 | 3.62 | 36.0 | 1.42 |
| 25 (1) | IBS25-F-16G | 1 BSPP | 64.0 | 2.52 | 103.0 | 4.06 | 41.0 | 1.61 |
| | IBS25-F-16N | 1 NPTF | 64.0 | 2.52 | 103.0 | 4.06 | 41.0 | 1.61 |



IBS MALE COUPLING

| Body Size | Part Number | Thread Size | D2 | | L2 | | A/F | |
|-----------|-------------|-------------|------|------|------|------|------|------|
| | | | mm | inch | mm | inch | mm | inch |
| 04 (1/8) | IBS04-M-02G | 1/8 BSPP | 10.8 | 0.43 | 31.0 | 1.22 | 14.0 | 0.55 |
| | IBS04-M-02N | 1/8 NPTF | 10.8 | 0.43 | 31.0 | 1.22 | 14.0 | 0.55 |
| 06 (1/4) | IBS06-M-04G | 1/4 BSPP | 14.1 | 0.56 | 36.0 | 1.42 | 19.0 | 0.75 |
| | IBS06-M-04N | 1/4 NPTF | 14.1 | 0.56 | 36.0 | 1.42 | 19.0 | 0.75 |
| 10 (3/8) | IBS10-M-06G | 3/8 BSPP | 19.0 | 0.75 | 40.0 | 1.57 | 24.0 | 0.94 |
| | IBS10-M-06N | 3/8 NPTF | 19.0 | 0.75 | 40.0 | 1.57 | 24.0 | 0.94 |
| 12 (1/2) | IBS12-M-08G | 1/2 BSPP | 23.5 | 0.93 | 45.5 | 1.79 | 27.0 | 1.06 |
| | IBS12-M-08N | 1/2 NPTF | 23.5 | 0.93 | 45.5 | 1.79 | 27.0 | 1.06 |
| 19 (3/4) | IBS19-M-12G | 3/4 BSPP | 31.4 | 1.24 | 56.0 | 2.20 | 36.0 | 1.42 |
| | IBS19-M-12N | 3/4 NPTF | 31.4 | 1.24 | 56.0 | 2.20 | 36.0 | 1.42 |
| 25 (1) | IBS25-M-16G | 1 BSPP | 37.7 | 1.49 | 63.0 | 2.48 | 45.0 | 1.77 |
| | IBS25-M-16N | 1 NPTF | 37.7 | 1.49 | 63.0 | 2.48 | 45.0 | 1.77 |

For all other configurations or thread types please contact the sales office.



Connect under pressure high flow couplings fitted with a safety locking sleeve

F (Nordic) Series



INTRODUCTION

Holmbury's F Series 'Nordic interchange' high flow safety couplings offer three important benefits; high flow, connection under pressure and a safety locking mechanism to prevent accidental disconnection.



CONSTRUCTION

- Carbon steel with zinc nickel plating (1200 hours with no red rust in salt spray tests)
- Fitted with NBR seals (Other seals available on request)
- Also available in stainless steel (see FS Series)

FEATURES

- High flow rates
- Optional pressure eliminator allows connection with residual pressure in the hydraulic circuit (Not applicable for size 06)
- Low pressure drop characteristics
- Safety locking ring to avoid accidental disconnection

- Female half has double 'O' ring sealing arrangement
- Bidirectional flow

ACCESSORIES

- Dust caps, plugs and seal kits are available for the F Series

SPECIFICATIONS

- Operating temperatures (with NBR seals): -40°C (-40°F) to 106°C (223°F)

APPLICATIONS

- Mobile plant
- General industrial
- Forestry equipment

F (Nordic) PERFORMANCE CHARACTERISTICS

| Body Size | F06 | F10 | F12 | F19 | F25 |
|------------------------------------|-------------------------------|-------|-------|-------|-------|
| | Pressure in bar - Flow in LPM | | | | |
| | Pressure in PSI - Flow in GPM | | | | |
| Maximum working pressure (Coupled) | 600 | 350 | 315 | 300 | 260 |
| | 8702 | 5076 | 4569 | 4351 | 3771 |
| Burst pressure (Coupled) | 2100 | 1500 | 1300 | 1250 | 1100 |
| | 30458 | 21756 | 18855 | 18130 | 15954 |
| Burst pressure (Male) | 2100 | 1500 | 1250 | 1250 | 1100 |
| | 30458 | 21756 | 18130 | 18130 | 15954 |
| Burst pressure (Female) | 1500 | 1450 | 1200 | 1200 | 1000 |
| | 21756 | 21030 | 17405 | 17405 | 14504 |
| Rated flow | 3 | 23 | 45 | 106 | 189 |
| | 0.8 | 6.1 | 12 | 28 | 50 |

CAPS/PLUGS ACCESSORIES

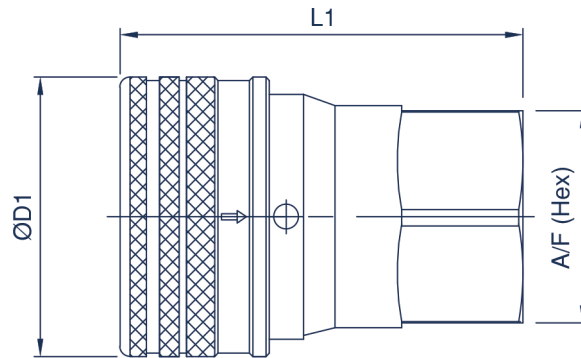
| FEMALE PLUGS | MALE CAPS |
|--------------|-----------|
| F06-F-PLUG | F06-M-CAP |
| F10-F-PLUG | F10-M-CAP |
| F12-F-PLUG | F12-M-CAP |
| F19-F-PLUG | F19-M-CAP |
| F25-F-PLUG | F25-M-CAP |

Standard colour is red pvc

SEAL KITS

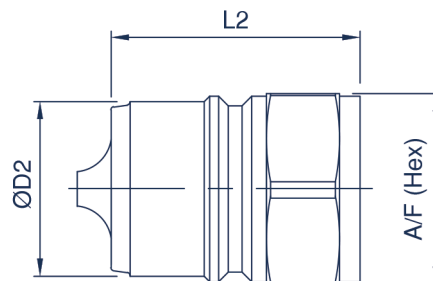
| |
|----------------|
| F06-F-SEAL KIT |
| F10-F-SEAL KIT |
| F12-F-SEAL KIT |
| F19-F-SEAL KIT |
| F25-F-SEAL KIT |

F (Nordic) Series



F (Nordic) FEMALE COUPLING

| Body Size | Part Number | Thread Size | D1 | | L1 | | A/F | |
|-----------|--------------|-------------|------|------|------|------|------|------|
| | | | mm | inch | mm | inch | mm | inch |
| 06 (1/4) | F06-F-04G | 1/4 BSPP | 26.0 | 1.02 | 60.5 | 2.38 | 20.0 | 0.79 |
| | F06-F-04G-PE | 1/4 BSPP | 26.0 | 1.02 | 60.5 | 2.38 | 20.0 | 0.79 |
| 10 (3/8) | F10-F-06G | 3/8 BSPP | 34.0 | 1.38 | 60.0 | 2.36 | 24.0 | 0.94 |
| | F10-F-06G-PE | 3/8 BSPP | 34.0 | 1.38 | 60.0 | 2.36 | 24.0 | 0.94 |
| 12 (1/2) | F12-F-08G | 1/2 BSPP | 40.0 | 1.75 | 65.1 | 2.56 | 30.0 | 1.18 |
| | F12-F-08G-PE | 1/2 BSPP | 40.0 | 1.75 | 65.1 | 2.56 | 30.0 | 1.18 |
| 19 (3/4) | F19-F-12G | 3/4 BSPP | 52.0 | 2.13 | 74.5 | 2.93 | 38.0 | 1.50 |
| | F19-F-12G-PE | 3/4 BSPP | 52.0 | 2.13 | 74.5 | 2.93 | 38.0 | 1.50 |
| 25 (1) | F25-F-16G | 1 BSPP | 62.0 | 2.52 | 88.5 | 3.48 | 45.0 | 1.77 |
| | F25-F-16G-PE | 1 BSPP | 62.0 | 2.52 | 88.5 | 3.48 | 45.0 | 1.77 |



F (Nordic) MALE COUPLING

| Body Size | Part Number | Thread Size | D2 | | L2 | | A/F | |
|-----------|--------------|-------------|------|------|------|------|------|------|
| | | | mm | inch | mm | inch | mm | inch |
| 06 (1/4) | F06-M-04G | 1/4 BSPP | 11.9 | 0.47 | 49.0 | 1.93 | 19.0 | 0.75 |
| | F06-M-04G-PE | 1/4 BSPP | 11.9 | 0.47 | 49.0 | 1.93 | 19.0 | 0.75 |
| 10 (3/8) | F10-M-06G | 3/8 BSPP | 20.0 | 0.79 | 38.0 | 1.50 | 22.0 | 0.87 |
| | F10-M-06G-PE | 3/8 BSPP | 20.0 | 0.79 | 38.0 | 1.50 | 22.0 | 0.87 |
| 12 (1/2) | F12-M-08G | 1/2 BSPP | 25.0 | 0.98 | 41.5 | 1.63 | 27.0 | 1.06 |
| | F12-M-08G-PE | 1/2 BSPP | 25.0 | 0.98 | 41.5 | 1.63 | 27.0 | 1.06 |
| 19 (3/4) | F19-M-12G | 3/4 BSPP | 33.0 | 1.30 | 46.5 | 1.83 | 36.0 | 1.42 |
| | F19-M-12G-PE | 3/4 BSPP | 33.0 | 1.30 | 46.5 | 1.83 | 36.0 | 1.42 |
| 25 (1) | F25-M-16G | 1 BSPP | 41.0 | 1.61 | 54.5 | 2.15 | 46.0 | 1.81 |
| | F25-M-16G-PE | 1 BSPP | 41.0 | 1.61 | 54.5 | 2.15 | 46.0 | 1.81 |

For all other configurations or thread types please contact the sales office.



Connect under pressure high flow couplings fitted with a safety locking sleeve

FS Series



INTRODUCTION

Holmbury's FS Series 'Nordic interchange' high flow safety couplings offer three important benefits; high flow, connection under pressure and a safety locking mechanism to prevent accidental disconnection.



CONSTRUCTION

- AISI 316 stainless steel
- Fitted with FKM seals (Other seals available on request)
- Also available in carbon steel (see F Series)

FEATURES

- High flow rates
- Optional pressure eliminator allows connection with residual pressure in the hydraulic circuit (Not applicable for size 06)
- Low pressure drop characteristics
- Safety locking ring to avoid accidental disconnection

- Female half has double 'O' ring sealing arrangement
- Bidirectional flow

ACCESSORIES

- Dust caps, plugs and seal kits are available

SPECIFICATIONS

- Operating temperatures (With FKM seals): -20°C (-4°F) to 200°C (392°F)

APPLICATIONS

- Mobile plant
- General industrial
- Forestry equipment
- Marine

FS PERFORMANCE CHARACTERISTICS

| Body Size | FS10 | FS12 | FS19 | FS25 |
|------------------------------------|-------------------------------|---------------|---------------|---------------|
| | Pressure in bar - Flow in LPM | | | |
| | Pressure in PSI - Flow in GPM | | | |
| Maximum working pressure (Coupled) | 350 5076 | 315 4569 | 300 4351 | 260 3771 |
| Burst pressure (Coupled) | 1500 21756 | 1300 18855 | 1250 18130 | 1100 15954 |
| Burst pressure (Male) | 1500 21756 | 1250 18130 | 1250 18130 | 1100 15954 |
| Burst pressure (Female) | 1450 21030 | 1200 17405 | 1200 17405 | 1000 14504 |
| Rated flow | 23 6.1 | 45 12 | 106 28 | 189 50 |

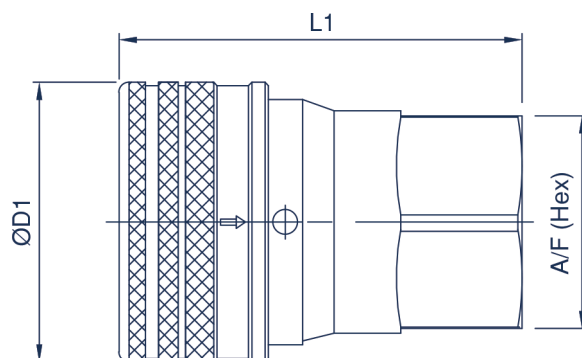
CAPS/PLUGS ACCESSORIES

| FEMALE PLUGS | MALE CAPS |
|--------------|-----------|
| F10-F-PLUG | F10-M-CAP |
| F12-F-PLUG | F12-M-CAP |
| F19-F-PLUG | F19-M-CAP |
| F25-F-PLUG | F25-M-CAP |

Standard colour is red pvc

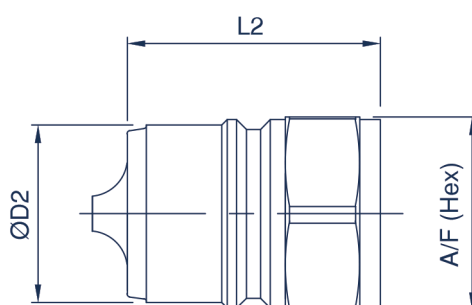
SEAL KITS

| |
|-----------------|
| FS10-F-SEAL KIT |
| FS12-F-SEAL KIT |
| FS19-F-SEAL KIT |
| FS25-F-SEAL KIT |



FS FEMALE COUPLING

| Body Size | Part Number | Thread Size | D1 | | L1 | | A/F | |
|-----------|---------------|-------------|------|------|------|------|------|------|
| | | | mm | inch | mm | inch | mm | inch |
| 10 (3/8) | FS10-F-06G | 3/8 BSPP | 34.0 | 1.38 | 60.0 | 2.36 | 24.0 | 0.94 |
| | FS10-F-06G-PE | 3/8 BSPP | 34.0 | 1.38 | 60.0 | 2.36 | 24.0 | 0.94 |
| 12 (1/2) | FS12-F-08G | 1/2 BSPP | 40.0 | 1.75 | 65.1 | 2.56 | 30.0 | 1.18 |
| | FS12-F-08G-PE | 1/2 BSPP | 40.0 | 1.75 | 65.1 | 2.56 | 30.0 | 1.18 |
| 19 (3/4) | FS19-F-12G | 3/4 BSPP | 52.0 | 2.13 | 74.5 | 2.93 | 38.0 | 1.50 |
| | FS19-F-12G-PE | 3/4 BSPP | 52.0 | 2.13 | 74.5 | 2.93 | 38.0 | 1.50 |
| 25 (1) | FS25-F-16G | 1 BSPP | 62.0 | 2.52 | 88.5 | 3.48 | 45.0 | 1.77 |
| | FS25-F-16G-PE | 1 BSPP | 62.0 | 2.52 | 88.5 | 3.48 | 45.0 | 1.77 |



FS MALE COUPLING

| Body Size | Part Number | Thread Size | D2 | | L2 | | A/F | |
|-----------|---------------|-------------|------|------|------|------|------|------|
| | | | mm | inch | mm | inch | mm | inch |
| 10 (3/8) | FS10-M-06G | 3/8 BSPP | 20.0 | 0.79 | 38.0 | 1.50 | 22.0 | 0.87 |
| | FS10-M-06G-PE | 3/8 BSPP | 20.0 | 0.79 | 38.0 | 1.50 | 22.0 | 0.87 |
| 12 (1/2) | FS12-M-08G | 1/2 BSPP | 25.0 | 0.98 | 41.5 | 1.63 | 27.0 | 1.06 |
| | FS12-M-08G-PE | 1/2 BSPP | 25.0 | 0.98 | 41.5 | 1.63 | 27.0 | 1.06 |
| 19 (3/4) | FS19-M-12G | 3/4 BSPP | 33.0 | 1.30 | 46.5 | 1.83 | 36.0 | 1.42 |
| | FS19-M-12G-PE | 3/4 BSPP | 33.0 | 1.30 | 46.5 | 1.83 | 36.0 | 1.42 |
| 25 (1) | FS25-M-16G | 1 BSPP | 41.0 | 1.61 | 54.5 | 2.15 | 46.0 | 1.81 |
| | FS25-M-16G-PE | 1 BSPP | 41.0 | 1.61 | 54.5 | 2.15 | 46.0 | 1.81 |

For all other configurations or thread types please contact the sales office.



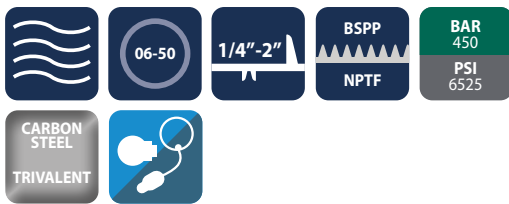
Poppet style couplings with a guided poppet

HTN Series



INTRODUCTION

Holmbury's HTN Series poppet style couplings are a reliable and efficient option for use across a wide range of hydraulic applications.



CONSTRUCTION

- Carbon steel with trivalent plating
- Also available in brass (HTNB), FKM seals
- Also available in AISI 316 stainless steel (HTNS), FKM seals
- Fitted with NBR seals

FEATURES

- Poppet style minimises pressure drop and creates an effective seal whilst allowing high flow rates
- Elongated nose and poppet design allows for simple connection and disconnection
- Bidirectional flow

ACCESSORIES

- Dust caps, plugs and seal kits are available for the HTN Series

SPECIFICATIONS

- Operating temperatures (with NBR seals): -40°C (-40°F) to 106°C (223°F)

APPLICATIONS

- General hydraulic systems
- Machine tools
- Test equipment
- Agricultural
- Mobile hydraulics

HTN PERFORMANCE CHARACTERISTICS

| Body Size | HTN06 | HTN10 | HTN12 | HTN19 | HTN25 | HTN32 | HTN40 | HTN50 |
|------------------------------------|-------------------------------|---------------|--------------|--------------|-------------|-------------|-------------|-------------|
| | Pressure in bar - Flow in LPM | | | | | | | |
| | Pressure in PSI - Flow in GPM | | | | | | | |
| Maximum working pressure (Coupled) | 450 6527 | 350 5076 | 300 4351 | 250 3626 | 200 2901 | 150 2176 | 130 1885 | 100 1450 |
| Burst pressure (Coupled) | 1350 19580 | 1050 15229 | 900 13053 | 750 10878 | 600 8702 | 450 6527 | 390 5656 | 300 4351 |
| Burst pressure (Male) | 1350 19580 | 1050 15229 | 900 13053 | 750 10878 | 600 8702 | 450 6527 | 390 5656 | 300 4351 |
| Burst pressure (Female) | 1250 18130 | 950 13779 | 800 11603 | 650 9427 | 500 7252 | 350 5076 | 290 4206 | 200 2901 |
| Rated flow | 3 0.8 | 23 6.1 | 45 12 | 106 28 | 189 50 | 288 76 | 379 100 | 757 200 |

Contact sales for HTNB & HTNS performance characteristics

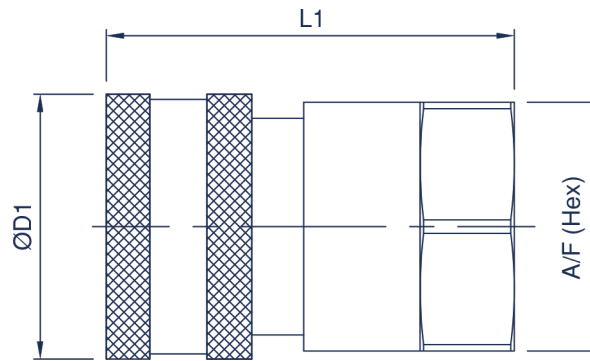
CAPS/PLUGS ACCESSORIES

| FEMALE PLUGS | MALE CAPS |
|--------------|-------------|
| HTN06-F-PLUG | HTN06-M-CAP |
| HTN10-F-PLUG | HTN10-M-CAP |
| HTN12-F-PLUG | HTN12-M-CAP |
| HTN19-F-PLUG | HTN19-M-CAP |
| HTN25-F-PLUG | HTN25-M-CAP |

Standard colour is black pvc

SEAL KITS

| |
|------------------|
| HTN06-F-SEAL KIT |
| HTN10-F-SEAL KIT |
| HTN12-F-SEAL KIT |
| HTN19-F-SEAL KIT |
| HTN25-F-SEAL KIT |
| HTN32-F-SEAL KIT |
| HTN40-F-SEAL KIT |
| HTN50-F-SEAL KIT |

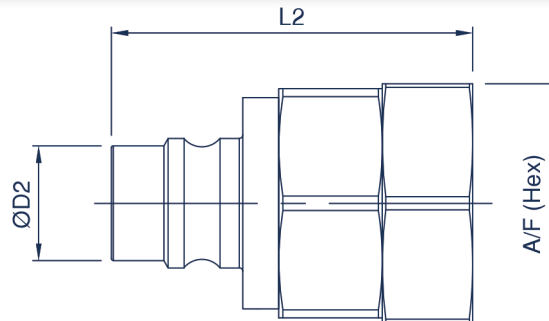


HTN FEMALE COUPLING

| Body Size | Part Number | Thread Size | D1 | | L1 | | A/F | |
|------------|-------------|-------------|------|------|-------|------|------|------|
| | | | mm | inch | mm | inch | mm | inch |
| 06 (1/4) | HTN06-F-04G | 1/4 BSPP | 24.0 | 0.94 | 44.0 | 1.73 | 22.0 | 0.87 |
| | HTN06-F-04N | 1/4 NPTF | 24.0 | 0.94 | 44.0 | 1.73 | 22.0 | 0.87 |
| 10 (3/8) | HTN10-F-06G | 3/8 BSPP | 27.0 | 1.06 | 49.4 | 1.94 | 26.0 | 1.02 |
| | HTN10-F-06N | 3/8 NPTF | 27.0 | 1.06 | 49.4 | 1.94 | 26.0 | 1.02 |
| 12 (1/2) | HTN12-F-08G | 1/2 BSPP | 34.0 | 1.34 | 53.5 | 2.11 | 30.0 | 1.18 |
| | HTN12-F-08N | 1/2 NPTF | 34.0 | 1.34 | 53.5 | 2.11 | 30.0 | 1.18 |
| 19 (3/4) | HTN19-F-12G | 3/4 BSPP | 42.0 | 1.65 | 63.0 | 2.48 | 38.0 | 1.50 |
| | HTN19-F-12N | 3/4 NPTF | 42.0 | 1.65 | 63.0 | 2.48 | 38.0 | 1.50 |
| 25 (1) | HTN25-F-16G | 1 BSPP | 50.5 | 1.99 | 68.3 | 2.69 | 48.0 | 1.89 |
| | HTN25-F-16N | 1 NPTF | 50.5 | 1.99 | 68.3 | 2.69 | 48.0 | 1.89 |
| 32 (1 1/4) | HTN32-F-20G | 1 1/4 BSPP | 56.0 | 2.20 | 91.0 | 3.58 | 50.0 | 1.97 |
| | HTN32-F-20N | 1 1/4 NPTF | 56.0 | 2.20 | 91.0 | 3.58 | 50.0 | 1.97 |
| 40 (1 1/2) | HTN40-F-24G | 1 1/2 BSPP | 70.0 | 2.76 | 90.0 | 3.54 | 64.0 | 2.52 |
| | HTN40-F-24N | 1 1/2 NPTF | 70.0 | 2.76 | 90.0 | 3.54 | 64.0 | 2.52 |
| 50 (2) | HTN50-F-32G | 2 BSPP | 90.0 | 3.54 | 105.0 | 4.13 | 89.0 | 3.50 |
| | HTN50-F-32N | 2 NPTF | 90.0 | 3.54 | 105.0 | 4.13 | 89.0 | 3.50 |

Note: a valveless version is available upon request (add VL to part number).

For all other configurations or thread types please contact the sales office.



HTN MALE COUPLING

| Body Size | Part Number | Thread Size | D2 | | L2 | | A/F | |
|------------|-------------|-------------|------|------|------|------|------|------|
| | | | mm | inch | mm | inch | mm | inch |
| 06 (1/4) | HTN06-M-04G | 1/4 BSPP | 10.9 | 0.43 | 41.3 | 1.63 | 22.0 | 0.87 |
| | HTN06-M-04N | 1/4 NPTF | 10.9 | 0.43 | 41.3 | 1.63 | 22.0 | 0.87 |
| 10 (3/8) | HTN10-M-06G | 3/8 BSPP | 12.9 | 0.51 | 47.0 | 1.85 | 26.0 | 1.02 |
| | HTN10-M-06N | 3/8 NPTF | 12.9 | 0.51 | 47.0 | 1.85 | 26.0 | 1.02 |
| 12 (1/2) | HTN12-M-08G | 1/2 BSPP | 15.9 | 0.63 | 51.0 | 2.01 | 30.0 | 1.18 |
| | HTN12-M-08N | 1/2 NPTF | 15.9 | 0.63 | 51.0 | 2.01 | 30.0 | 1.18 |
| 19 (3/4) | HTN19-M-12G | 3/4 BSPP | 23.4 | 0.92 | 62.0 | 2.44 | 38.0 | 1.50 |
| | HTN19-M-12N | 3/4 NPTF | 23.4 | 0.92 | 62.0 | 2.44 | 38.0 | 1.50 |
| 25 (1) | HTN25-M-16G | 1 BSPP | 29.7 | 1.17 | 66.8 | 2.63 | 48.0 | 1.89 |
| | HTN25-M-16N | 1 NPTF | 29.7 | 1.17 | 66.8 | 2.63 | 48.0 | 1.89 |
| 32 (1 1/4) | HTN32-M-20G | 1 1/4 BSPP | 36.1 | 1.42 | 88.0 | 3.46 | 50.0 | 1.97 |
| | HTN32-M-20N | 1 1/4 NPTF | 36.1 | 1.42 | 88.0 | 3.46 | 50.0 | 1.97 |
| 40 (1 1/2) | HTN40-M-24G | 1 1/2 BSPP | 43.3 | 1.70 | 85.6 | 3.37 | 64.0 | 2.52 |
| | HTN40-M-24N | 1 1/2 NPTF | 43.3 | 1.70 | 85.6 | 3.37 | 64.0 | 2.52 |
| 50 (2) | HTN50-M-32G | 2 BSPP | 56.7 | 2.23 | 99.0 | 3.90 | 89.0 | 3.50 |
| | HTN50-M-32N | 2 NPTF | 56.7 | 2.23 | 99.0 | 3.90 | 89.0 | 3.50 |



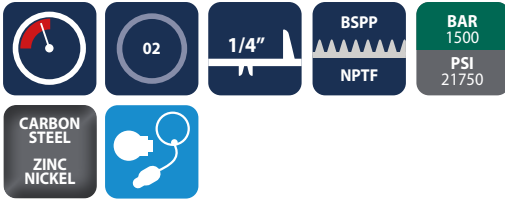
High pressure poppet valve couplings

KM 115, 116 Series



INTRODUCTION

Holmbury's KM 115 Series high pressure poppet valve couplings are primarily used in bolt tensioners and other high pressure applications. The KM 116 can withstand a higher maximum working pressure than the KM 115.



CONSTRUCTION

- KM 115 - Carbon steel with zinc nickel plating (1200 hours with no red rust in salt spray tests)
- KM 116 - Carbon steel with black zinc nickel plating (1200 hours with no red rust in salt spray tests)
- Available in size 02 body with 1/4" NPTF or BSPP threads
- Fitted with NBR seals

FEATURES

- 1000 bar maximum working pressure (KM 115)
1500 bar maximum working pressure (KM 116)
- Poppet valve design
- Locking ball system allows quick connection
- Bidirectional flow



ACCESSORIES

- Dust caps and plugs are available for the KM Series

SPECIFICATIONS

- Operating temperatures (With NBR seals): -40°C (-40°F) to 106°C (223°F)

APPLICATIONS

- Bolt tensioners
- Hydraulic jacks
- Other high pressure applications

KM 115, 116 PERFORMANCE CHARACTERISTICS

| Series Variant | KM115 | | KM116 | |
|------------------------------------|-----------------|-------------|-----------------|-------------|
| | Pressure in bar | Flow in LPM | Pressure in PSI | Flow in GPM |
| Maximum working pressure (Coupled) | 1000 | 1500 | 14500 | 21750 |
| | | | | |
| Burst pressure (Coupled) | 2500 | 3000 | 36250 | 43500 |
| | | | | |
| Burst pressure (Male) | 2500 | 3000 | 36250 | 43500 |
| | | | | |
| Burst pressure (Female) | 2400 | 2900 | 34800 | 42050 |
| | | | | |
| Rated flow | 6 | 5.3 | 1.6 | 1.4 |
| | | | | |

CAPS/PLUGS ACCESSORIES

| FEMALE PLUGS | MALE CAPS |
|--------------|------------|
| KM02-F-PLUG | KM02-M-CAP |

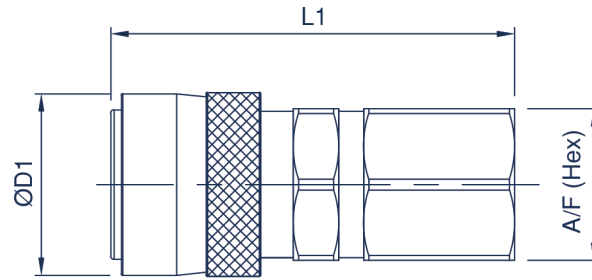
Standard colour is red pvc, other colours available upon request



WARNING

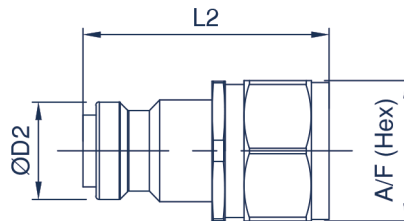
Hydraulic couplings operating at high pressures pose a significant risk to personal safety. Please refer to our Safety Guidelines for more information.

KM 115, 116 Series



KM 115, 116 FEMALE COUPLING

| Body Size | Part Number | Thread Size | D1 | | L1 | | A/F | |
|-----------|----------------|-------------|------|------|------|------|------|------|
| | | | mm | inch | mm | inch | mm | inch |
| 02 (1/4) | KM02-F-04G-115 | 1/4 BSPP | 27.8 | 1.09 | 61.5 | 2.42 | 23.8 | 0.94 |
| | KM02-F-04N-115 | 1/4 NPTF | 27.8 | 1.09 | 61.5 | 2.42 | 23.8 | 0.94 |
| | KM02-F-04G-116 | 1/4 BSPP | 27.8 | 1.09 | 61.5 | 2.42 | 23.8 | 0.94 |
| | KM02-F-04N-116 | 1/4 NPTF | 27.8 | 1.09 | 61.5 | 2.42 | 23.8 | 0.94 |



KM 115, 116 MALE COUPLING

| Body Size | Part Number | Thread Size | D2 | | L2 | | A/F | |
|-----------|----------------|-------------|------|------|------|------|------|------|
| | | | mm | inch | mm | inch | mm | inch |
| 02 (1/4) | KM02-M-04G-115 | 1/4 BSPP | 14.8 | 0.58 | 38.1 | 1.50 | 21.8 | 0.86 |
| | KM02-M-04N-115 | 1/4 NPTF | 14.8 | 0.58 | 38.1 | 1.50 | 21.8 | 0.86 |
| | KM02-M-04G-116 | 1/4 BSPP | 14.8 | 0.58 | 38.1 | 1.50 | 21.8 | 0.86 |
| | KM02-M-04N-116 | 1/4 NPTF | 14.8 | 0.58 | 38.1 | 1.50 | 21.8 | 0.86 |

For all other configurations or thread types please contact the sales office.



AGRICULTURAL COUPLINGS

Agricultural couplings are used for a range of hydraulic applications including braking systems on tractors. The female coupling is normally panel mounted on the tractor.



DINV, DNVZ 68



DINB, DNBZ 70



PCP, PPB, PPV Series 72



P-Clamp Series 74



P Series 76



IAP Series 78



IAPC Series 80



TB SERIES 82



1984



Agricultural range of couplings for panel mounting and multiple applications.



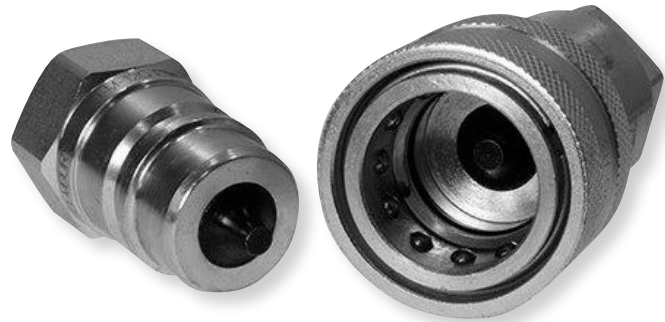
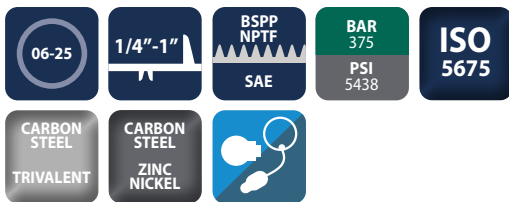
Poppet seal couplings made to the ISO 5675 Standard*

DINV, DNVZ Series



INTRODUCTION

Holmbury's DINV Series couplings are designed with a poppet valve for quick connection and disconnection. They are interchangeable with the ISO A couplings in 1/2" size.



CONSTRUCTION

- Carbon steel with trivalent plating, also available in zinc nickel
- Fitted with NBR seals
- Also available in ball valve design (See DINB Series)

FEATURES

- Poppet valves have balanced springs
- Locking ball system allows quick connection
- Bidirectional flow

ACCESSORIES

- Dust caps, plugs and seal kits are available for the DINV Series

SPECIFICATIONS

- Operating temperatures (with NBR seals): -40°C (-40°F) to 106°C (223°F)

APPLICATIONS

- Agricultural
- Mobile
- Construction
- General hydraulics

DINV, DNVZ PERFORMANCE CHARACTERISTICS

| Body Size | DINV06 | DINV10 | DINV12 | DINV19 | DINV25 |
|------------------------------------|-------------------------------|--------|--------|--------|--------|
| | Pressure in bar - Flow in LPM | | | | |
| | Pressure in PSI - Flow in GPM | | | | |
| Maximum working pressure (Coupled) | 375 | 350 | 320 | 300 | 275 |
| | 5437 | 5075 | 4640 | 4350 | 3987 |
| Burst pressure (Coupled) | 1600 | 1450 | 1300 | 1200 | 1100 |
| | 23200 | 21025 | 18850 | 17400 | 15950 |
| Burst pressure (Male) | 1600 | 1300 | 1500 | 1100 | 1000 |
| | 23200 | 18850 | 21750 | 15950 | 14500 |
| Burst pressure (Female) | 1600 | 1300 | 1400 | 1100 | 1000 |
| | 23200 | 18850 | 20300 | 15950 | 14500 |
| Rated flow | 3 | 23 | 45 | 106 | 189 |
| | 0.8 | 6.1 | 12 | 28 | 50 |

* 1/2 Only.

CAPS/PLUGS ACCESSORIES

| FEMALE PLUGS | MALE CAPS |
|--------------|-------------|
| DIN06-F-PLUG | DIN06-M-CAP |
| DIN10-F-PLUG | DIN10-M-CAP |
| DIN12-F-PLUG | DIN12-M-CAP |
| DIN19-F-PLUG | DIN19-M-CAP |
| DIN25-F-PLUG | DIN25-M-CAP |

Standard colour is red pvc, other colours available upon request

SEAL KITS

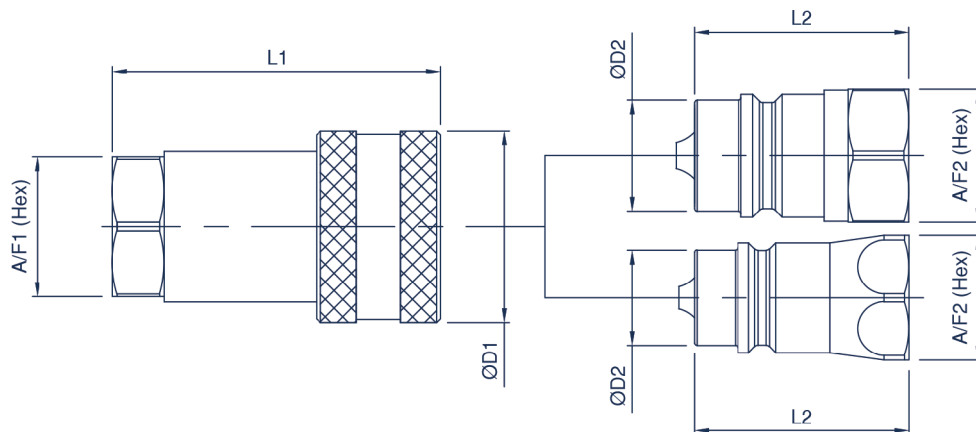
| |
|------------------|
| DIN06-F-SEAL KIT |
| DIN10-F-SEAL KIT |
| DIN12-F-SEAL KIT |
| DIN19-F-SEAL KIT |
| DIN25-F-SEAL KIT |

DINV, DNVZ Series

DINV, DNVZ FEMALE COUPLING

| Body Size | Part Number | Thread Size | A/F1 | | L1 | | D1 | |
|------------|--------------|--------------|------|------|------|------|------|------|
| | | | mm | inch | mm | inch | mm | inch |
| 06 (1/4) | DINV06-F-04G | 1/4 BSPP | 22.2 | 0.87 | 55.5 | 2.19 | 27.6 | 1.09 |
| | DINV06-F-04N | 1/4 NPTF | 22.2 | 0.87 | 55.5 | 2.19 | 27.6 | 1.09 |
| | DINV06-F-06S | 9/16-18 UNF | 22.2 | 0.87 | 55.5 | 2.19 | 27.6 | 1.09 |
| 10 (3/8) | DINV10-F-06G | 3/8 BSPP | 24.0 | 0.94 | 60.5 | 2.38 | 34.0 | 1.34 |
| | DINV10-F-06N | 3/8 NPTF | 24.0 | 0.94 | 60.5 | 2.38 | 34.0 | 1.34 |
| | DINV10-F-06S | 9/16-18 UNF | 24.0 | 0.94 | 60.5 | 2.38 | 34.0 | 1.34 |
| 12 (1/2) | DINV12-F-08G | 1/2 BSPP | 27.0 | 1.06 | 68.0 | 2.68 | 38.0 | 1.50 |
| | DINV12-F-08N | 1/2 NPTF | 27.0 | 1.06 | 68.0 | 2.68 | 38.0 | 1.50 |
| | DINV12-F-08S | 3/4-16 UNF | 27.0 | 1.06 | 68.0 | 2.68 | 38.0 | 1.50 |
| | DINV12-F-10S | 7/8-14 UNF | 27.0 | 1.06 | 68.0 | 2.68 | 38.0 | 1.50 |
| 19** (3/4) | DINV19-F-12G | 3/4 BSPP | 34.0 | 1.34 | 82.5 | 3.25 | 48.2 | 1.90 |
| | DINV19-F-12N | 3/4 NPTF | 35.0 | 1.38 | 83.0 | 3.27 | 47.5 | 1.87 |
| | DINV19-F-12S | 1 1/16-12 UN | 35.0 | 1.38 | 83.0 | 3.27 | 47.5 | 1.87 |
| 25 (1) | DINV25-F-16G | 1 BSPP | 41.0 | 1.61 | 97.5 | 3.84 | 56.2 | 2.21 |
| | DINV25-F-16N | 1 NPTF | 41.0 | 1.61 | 97.5 | 3.84 | 56.2 | 2.21 |
| | DINV25-F-16S | 1 5/16-12 UN | 41.0 | 1.61 | 97.5 | 3.84 | 56.2 | 2.21 |

**Size 19 differs in USA and UK, neither meet ISO 5675 dimensional requirements.
For all other configurations or thread types please contact the sales office.



DINV, DNVZ MALE COUPLING

| Body Size | Part Number | Thread Size | D2 | | L2 | | A/F2 | |
|------------|--------------|--------------|------|------|------|------|------|------|
| | | | mm | inch | mm | inch | mm | inch |
| 06 (1/4) | DINV06-M-04G | 1/4 BSPP | 14.2 | 0.56 | 36.0 | 1.42 | 19.0 | 0.75 |
| | DINV06-M-04N | 1/4 NPTF | 14.2 | 0.56 | 36.0 | 1.42 | 19.0 | 0.75 |
| | DINV06-M-06S | 9/16-18 UNF | 14.2 | 0.56 | 36.0 | 1.42 | 19.0 | 0.75 |
| 10 (3/8) | DINV10-M-06G | 3/8 BSPP | 19.0 | 0.75 | 40.0 | 1.57 | 24.0 | 0.94 |
| | DINV10-M-06N | 3/8 NPTF | 19.0 | 0.75 | 40.0 | 1.57 | 24.0 | 0.94 |
| | DINV10-M-06S | 9/16-18 UNF | 19.0 | 0.75 | 40.0 | 1.57 | 24.0 | 0.94 |
| 12* (1/2) | DINV12-M-08G | 1/2 BSPP | 20.5 | 0.81 | 46.0 | 1.81 | 27.0 | 1.06 |
| | DINV12-M-08N | 1/2 NPTF | 20.5 | 0.81 | 46.0 | 1.81 | 27.0 | 1.06 |
| | DINV12-M-08S | 3/4-16 UNF | 20.5 | 0.81 | 46.0 | 1.81 | 27.0 | 1.06 |
| | DINV12-M-10S | 7/8-14 UNF | 20.5 | 0.81 | 46.0 | 1.81 | 27.0 | 1.06 |
| 19** (3/4) | DINV19-M-12G | 3/4 BSPP | 28.0 | 1.10 | 53.5 | 2.11 | 34.0 | 1.34 |
| | DINV19-M-12N | 3/4 NPTF | 26.9 | 1.06 | 51.0 | 2.01 | 33.3 | 1.31 |
| | DINV19-M-12S | 1 1/16-12 UN | 26.9 | 1.06 | 51.0 | 2.01 | 33.3 | 1.31 |
| 25 (1) | DINV25-M-16G | 1 BSPP | 31.3 | 1.23 | 64.0 | 2.52 | 41.0 | 1.61 |
| | DINV25-M-16N | 1 NPTF | 31.3 | 1.23 | 64.0 | 2.52 | 41.0 | 1.61 |
| | DINV25-M-16S | 1 5/16-12 UN | 31.3 | 1.23 | 64.0 | 2.52 | 41.0 | 1.61 |

*Size 12 outside profile of male is different in USA and incorporates an internal shield.
**Size 19 differs in USA and UK, neither meet ISO 5675 dimensional requirements.



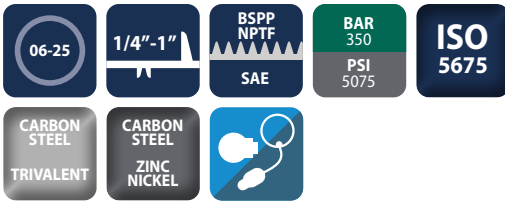
Poppet seal couplings made to the ISO 5675 Standard*

DINB, DNBZ Series



INTRODUCTION

Holmbury's DINB Series couplings are designed with a ball valve for quick connection and disconnection. They are interchangeable with the ISO A couplings in sizes 1/2" and 3/4".



CONSTRUCTION

- Carbon steel with trivalent plating, also available in zinc nickel
- Fitted with NBR seals
- Also available in poppet valve design (See DINV Series)

FEATURES

- Ball valves have balanced springs
- Locking ball system allows quick connection
- Bidirectional flow

ACCESSORIES

- Dust caps, plugs and seal kits are available for the DINB Series

SPECIFICATIONS

- Operating temperatures (with NBR seals): -40°C (-40°F) to 106°C (223°F)

APPLICATIONS

- Agricultural
- Mobile
- Construction
- General hydraulics

DINB, DNBZ PERFORMANCE CHARACTERISTICS

| Body Size | DINB06 | DINB10 | DINB12 | DINB19 | DINB25 |
|------------------------------------|-------------------------------|--------|--------|--------|--------|
| | Pressure in bar - Flow in LPM | | | | |
| | Pressure in PSI - Flow in GPM | | | | |
| Maximum working pressure (Coupled) | 350 | 300 | 275 | 275 | 250 |
| | 5075 | 4350 | 3987 | 3987 | 3625 |
| Burst pressure (Coupled) | 1550 | 1400 | 1250 | 1150 | 1050 |
| | 22475 | 20300 | 18125 | 16675 | 15225 |
| Burst pressure (Male) | 1550 | 1250 | 1200 | 1050 | 950 |
| | 22475 | 18125 | 17400 | 15225 | 13775 |
| Burst pressure (Female) | 1550 | 1250 | 1200 | 1050 | 950 |
| | 22475 | 18125 | 17400 | 15225 | 13775 |
| Rated flow | 3 | 23 | 45 | 106 | 189 |
| | 0.8 | 6.1 | 12 | 28 | 50 |

* 1/2 Only.

CAPS/PLUGS ACCESSORIES

| FEMALE PLUGS | MALE CAPS |
|--------------|-------------|
| DIN06-F-PLUG | DIN06-M-CAP |
| DIN10-F-PLUG | DIN10-M-CAP |
| DIN12-F-PLUG | DIN12-M-CAP |
| DIN19-F-PLUG | DIN19-M-CAP |
| DIN25-F-PLUG | DIN25-M-CAP |

Standard colour is red pvc, other colours available upon request

SEAL KITS

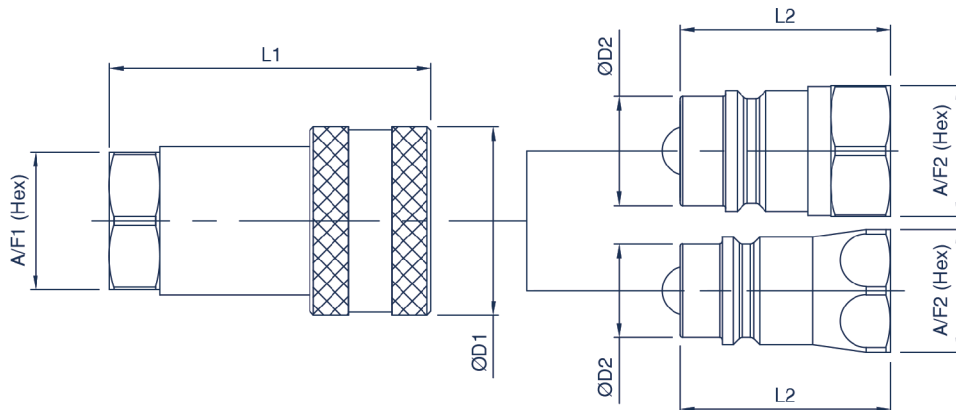
| |
|------------------|
| DIN06-F-SEAL KIT |
| DIN10-F-SEAL KIT |
| DIN12-F-SEAL KIT |
| DIN19-F-SEAL KIT |
| DIN25-F-SEAL KIT |

DINB, DNBZ Series

DINB, DNBZ FEMALE COUPLING

| Body Size | Part Number | Thread Size | A/F1 | | L1 | | D1 | |
|------------|--------------|--------------|------|------|------|------|------|------|
| | | | mm | inch | mm | inch | mm | inch |
| 06 (1/4) | DINB06-F-04G | 1/4 BSPP | 19.0 | 0.75 | 53.5 | 2.11 | 27.6 | 1.09 |
| | DINB06-F-04N | 1/4 NPTF | 19.0 | 0.75 | 53.5 | 2.11 | 27.6 | 1.09 |
| | DINB06-F-06S | 9/16-18 UNF | 19.0 | 0.75 | 53.5 | 2.11 | 27.6 | 1.09 |
| 10 (3/8) | DINB10-F-06G | 3/8 BSPP | 24.0 | 0.94 | 63.0 | 2.48 | 34.0 | 1.34 |
| | DINB10-F-06N | 3/8 NPTF | 24.0 | 0.94 | 63.0 | 2.48 | 34.0 | 1.34 |
| | DINB10-F-06S | 9/16-18 UNF | 24.0 | 0.94 | 63.0 | 2.48 | 34.0 | 1.34 |
| 12 (1/2) | DINB12-F-08G | 1/2 BSPP | 27.0 | 1.06 | 66.3 | 2.61 | 38.6 | 1.52 |
| | DINB12-F-08N | 1/2 NPTF | 27.0 | 1.06 | 66.3 | 2.61 | 38.6 | 1.52 |
| | DINB12-F-08S | 3/4-16 UNF | 27.0 | 1.06 | 66.3 | 2.61 | 38.6 | 1.52 |
| | DINB12-F-10S | 7/8-14 UNF | 27.0 | 1.06 | 66.3 | 2.61 | 38.6 | 1.52 |
| 19** (3/4) | DINB19-F-12G | 3/4 BSPP | 34.0 | 1.34 | 82.5 | 3.25 | 48.2 | 1.90 |
| | DINB19-F-12N | 3/4 NPTF | 35.0 | 1.38 | 83.5 | 3.29 | 47.5 | 1.87 |
| | DINB19-F-12S | 1 1/16-12 UN | 35.0 | 1.38 | 83.5 | 3.29 | 47.5 | 1.87 |
| 25 (1) | DINB25-F-16G | 1 BSPP | 41.0 | 1.61 | 96.5 | 3.80 | 56.0 | 2.20 |
| | DINB25-F-16N | 1 NPTF | 41.0 | 1.61 | 96.5 | 3.80 | 56.0 | 2.20 |
| | DINB25-F-16S | 1 5/16-12 UN | 41.0 | 1.61 | 96.5 | 3.80 | 56.0 | 2.20 |

**Size 19 differs in USA and UK, neither meet ISO 5675 dimensional requirements.
For all other configurations or thread types please contact the sales office.



DINB, DNBZ MALE COUPLING

| Body Size | Part Number | Thread Size | D2 | | L2 | | A/F2 | |
|------------|--------------|--------------|------|------|------|------|------|------|
| | | | mm | inch | mm | inch | mm | inch |
| 06 (1/4) | DINB06-M-04G | 1/4 BSPP | 14.1 | 0.56 | 36.0 | 1.42 | 19.0 | 0.75 |
| | DINB06-M-04N | 1/4 NPTF | 14.1 | 0.56 | 36.0 | 1.42 | 19.0 | 0.75 |
| | DINB06-M-06S | 9/16-18 UNF | 14.1 | 0.56 | 36.0 | 1.42 | 19.0 | 0.75 |
| 10 (3/8) | DINB10-M-06G | 3/8 BSPP | 18.9 | 0.74 | 40.0 | 1.57 | 24.0 | 0.94 |
| | DINB10-M-06N | 3/8 NPTF | 18.9 | 0.74 | 40.0 | 1.57 | 24.0 | 0.94 |
| | DINB10-M-06S | 9/16-18 UNF | 18.9 | 0.74 | 40.0 | 1.57 | 24.0 | 0.94 |
| 12* (1/2) | DINB12-M-08G | 1/2 BSPP | 20.5 | 0.81 | 43.5 | 1.71 | 27.0 | 1.06 |
| | DINB12-M-08N | 1/2 NPTF | 20.5 | 0.81 | 46.0 | 1.81 | 27.0 | 1.06 |
| | DINB12-M-08S | 3/4-16 UNF | 20.5 | 0.81 | 46.0 | 1.81 | 27.0 | 1.06 |
| | DINB12-M-10S | 7/8-14 UNF | 20.5 | 0.81 | 46.0 | 1.81 | 27.0 | 1.06 |
| 19** (3/4) | DINB19-M-12G | 3/4 BSPP | 28.0 | 1.10 | 53.5 | 2.11 | 34.0 | 1.34 |
| | DINB19-M-12N | 3/4 NPTF | 26.9 | 1.06 | 51.0 | 2.01 | 33.3 | 1.31 |
| | DINB19-M-12S | 1 1/16-12 UN | 26.9 | 1.06 | 51.0 | 2.01 | 33.3 | 1.31 |
| 25 (1) | DINB25-M-16G | 1 BSPP | 31.3 | 1.23 | 63.0 | 2.48 | 41.0 | 1.61 |
| | DINB25-M-16N | 1 NPTF | 31.3 | 1.23 | 63.0 | 2.48 | 41.0 | 1.61 |
| | DINB25-M-16S | 1 5/16-12 UN | 31.3 | 1.23 | 63.0 | 2.48 | 41.0 | 1.61 |

*Size 12 outside profile of male is different in USA and incorporates an internal shield.
**Size 19 differs in USA and UK, neither meet ISO 5675 dimensional requirements.

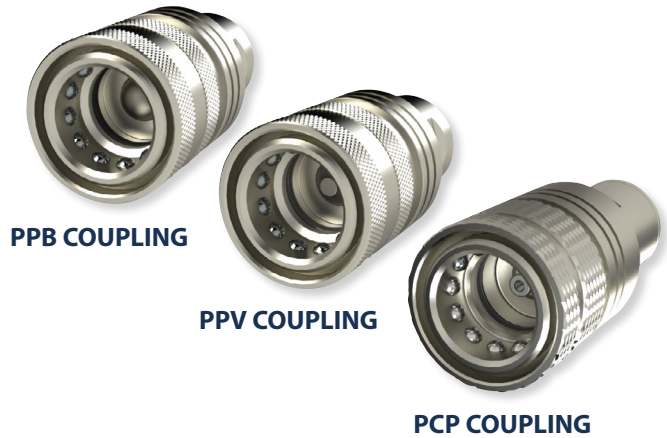


DIN 5675 push / pull female couplings to suit P clamp (Interchangeable with 1/2" ISO 7241 Series A and DIN Series male probes)

PPB, PPV, PCP Series

INTRODUCTION

Holmbury's PPB, PPV & PCP Series DIN/ ISO A female couplings are designed primarily for the agricultural industry and incorporate a push / pull design. The couplings are suitable for use with the Holmbury P-Clamp.



CONSTRUCTION

- Carbon steel with trivalent plating, also available in zinc nickel
- Fitted with NBR seals

FEATURES

- Can be connected with standard DIN/ISO A 1/2" male couplings
- Release mechanism protects coupling and hose from damage in event of accidental separating force
- Locking ball system allows quick connection
- Bidirectional flow
- PCP series incorporates universal poppet with connect under pressure capability

ACCESSORIES

- Dust plugs are available
- P-Clamp

SPECIFICATIONS

- Operating temperatures (with NBR seals): -40°C (-40°F) to 106°C (223°F)

APPLICATIONS

- Agricultural
- Mobile
- Construction
- General hydraulics

PERFORMANCE CHARACTERISTICS

| Body Size | PPB12 | PPV12 | PCP12 |
|------------------------------------|-------------------------------|---------------|---------------|
| | Pressure in bar - Flow in LPM | | |
| | Pressure in PSI - Flow in GPM | | |
| Maximum working pressure (Coupled) | 350 5000 | 350 5000 | 350 5000 |
| Burst pressure (Coupled) | 2200 31900 | 2200 31900 | 1600 23200 |
| Burst pressure (Female) | 1400 20300 | 1400 20300 | 1400 20300 |
| Rated flow | 45 | 45 | 45 |
| | 12 | 12 | 12 |

PLUGS ACCESSORIES

FEMALE PLUGS

IA12-F-PLUG

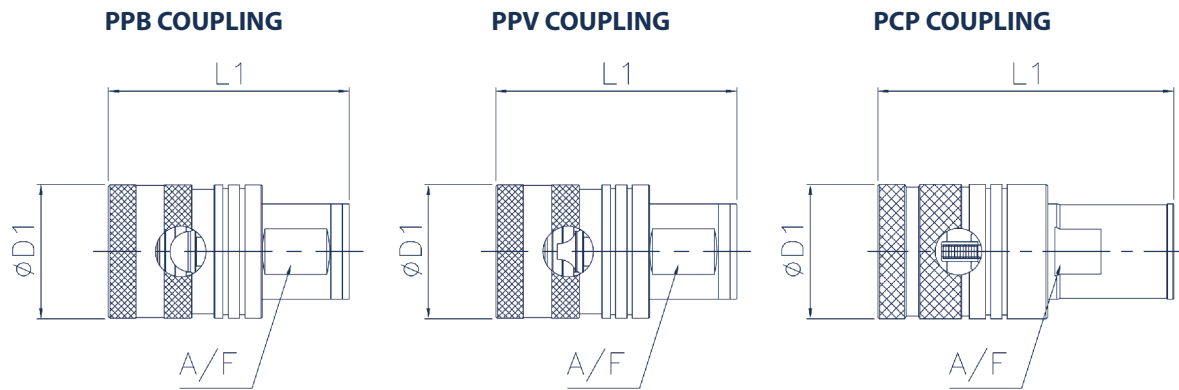
Standard colour is red pvc, other colours available upon request

P-CLAMP ACCESSORIES

P-CLAMP

PP12-CLAMP

PPB, PPV, PCP Series



PPB, PPV, PCP COUPLING

| Body Size | Part Number | Thread Size | D1 | | L1 | | A/F | |
|-----------|-------------|-------------|------|------|------|------|------|------|
| | | | mm | inch | mm | inch | mm | inch |
| 12 (1/2) | PPB12-F-08N | 1/2 NPTF | 38.1 | 1.50 | 68.1 | 2.68 | 23.7 | 0.93 |
| 12 (1/2) | PPB12-F-08S | 3/4-16 UNF | 38.1 | 1.50 | 68.1 | 2.68 | 23.7 | 0.93 |
| 12 (1/2) | PPV12-F-08N | 1/2 NPTF | 38.1 | 1.50 | 68.1 | 2.68 | 23.7 | 0.93 |
| 12 (1/2) | PPV12-F-08S | 3/4-16 UNF | 38.1 | 1.50 | 68.1 | 2.68 | 23.7 | 0.93 |
| 12 (1/2) | PCP12-F-08N | 1/2 NPTF | 38.1 | 1.50 | 83.7 | 3.30 | 22.1 | 0.87 |
| 12 (1/2) | PCP12-F-08S | 3/4-16 UNF | 38.1 | 1.50 | 83.7 | 3.30 | 22.1 | 0.87 |
| 12 (1/2) | PCP12-F-10S | 7/8-14 UNF | 38.1 | 1.50 | 83.7 | 3.30 | 22.1 | 0.87 |





Agricultural Coupling Clamp

P-Clamp Series



INTRODUCTION

Holmbury's double break-away clamp allows single-handed connection of compatible quick couplings.



CONSTRUCTION

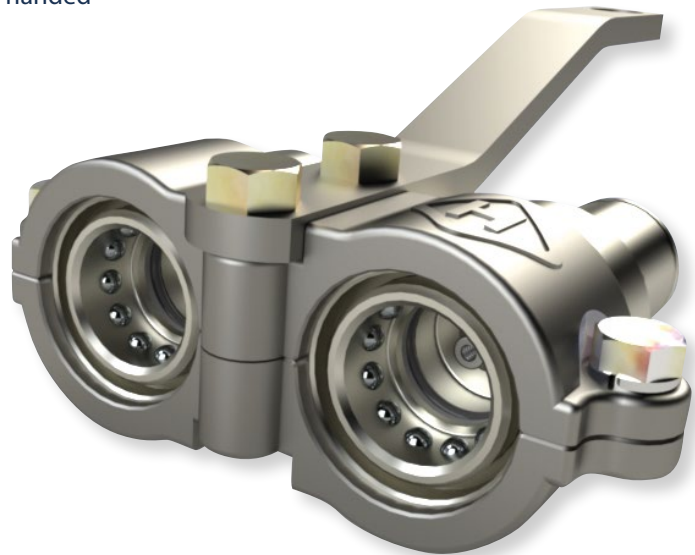
- Carbon steel mounting plate with zinc plating
- Die cast zinc body

FEATURES

- Allows single handed connection
- Implements breakaway
- Multi-purpose, suitable for use with Holmbury PPB, PPV, PCP Series

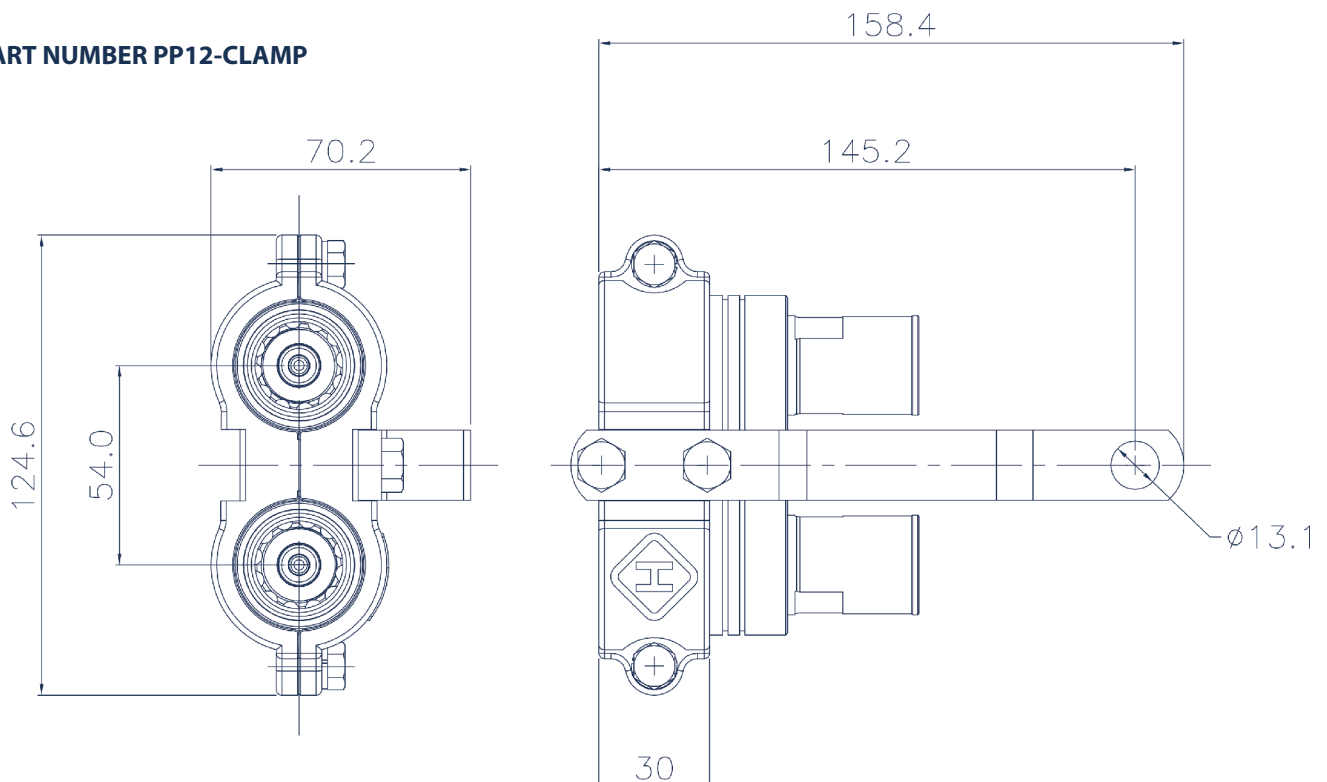
APPLICATIONS

- Agricultural



* Clamp is not supplied with couplings

PART NUMBER PP12-CLAMP







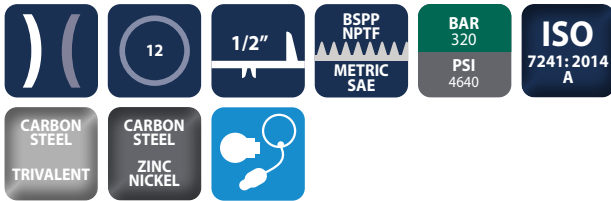
ISO A push/pull female couplings (Connects with 1/2" ISO A male probes)

P Series



INTRODUCTION

Holmbury's P Series ISO A female couplings are designed primarily for the agricultural industry and incorporate a push/pull design. The coupling is panel mounted using circlip grooves on the locking sleeve.



CONSTRUCTION

- Carbon steel with trivalent plating, zinc nickel standard in UK
- Fitted with NBR seals
- Connect under pressure version also available (See IAPC Series)

FEATURES

- Can be connected with standard ISO A 1/2" male couplings
- Release mechanism protects coupling and hose from damage in event of accidental separating force
- Locking ball system allows quick connection
- Bidirectional flow

ACCESSORIES

- Dust plugs are available for the P Series

SPECIFICATIONS

- Operating temperatures (with NBR seals): -40°C (-40°F) to 106°C (223°F)

APPLICATIONS

- Agricultural
- Mobile
- Construction
- General hydraulics

P PERFORMANCE CHARACTERISTICS

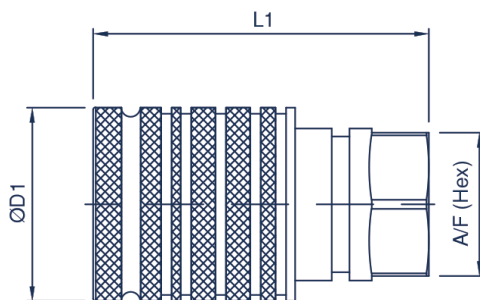
| Body Size | P12 | P12B |
|------------------------------------|--|-------|
| | Pressure in bar - Flow in LPM Pressure in PSI - Flow in GPM | |
| Maximum working pressure (Coupled) | 320 | 275 |
| | 4640 | 3987 |
| Burst pressure (Coupled) | 1500 | 1250 |
| | 21750 | 18125 |
| Burst pressure (Female) | 1400 | 1200 |
| | 20300 | 17400 |
| Rated flow | 45 | 45 |
| | 12 | 12 |

PLUGS ACCESSORIES

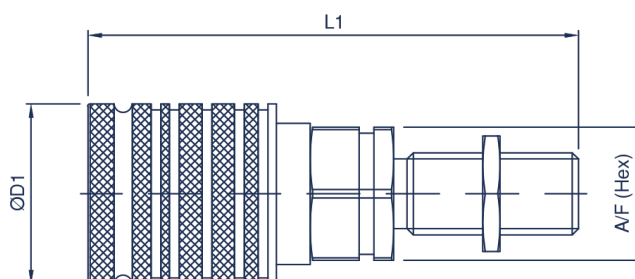
FEMALE PLUGS

IA12-F-PLUG

Standard colour is red pvc, other colours available upon request



BULKHEAD VERSION



P FEMALE COUPLING

| Body Size | Part Number | Thread Size | D1 | | L1 | | A/F | |
|-----------|-----------------------|-------------|------|------|------|------|------|------|
| | | | mm | inch | mm | inch | mm | inch |
| 12 (1/2) | P12-F-06G | 3/8 BSPP | 38.1 | 1.50 | 66.0 | 2.60 | 27.0 | 1.06 |
| | P12-F-06S | 9/16-18 UNF | 38.1 | 1.50 | 66.0 | 2.60 | 27.0 | 1.06 |
| | P12-F-08G | 1/2 BSPP | 38.1 | 1.50 | 66.0 | 2.60 | 27.0 | 1.06 |
| | P12-F-08N | 1/2 NPTF | 38.1 | 1.50 | 66.0 | 2.60 | 27.0 | 1.06 |
| | P12-F-08N-B | 1/2 NPTF | 38.1 | 1.50 | 66.0 | 2.60 | 27.0 | 1.06 |
| | P12-F-08S | 3/4-16 UNF | 38.1 | 1.50 | 66.0 | 2.60 | 27.0 | 1.06 |
| | P12-F-M18X1.5M-10S | M18X1.5 | 38.1 | 1.50 | 73.5 | 2.89 | 27.0 | 1.06 |
| | P12-F-M18X1.5M-12L | M18X1.5 | 38.1 | 1.50 | 73.5 | 2.89 | 27.0 | 1.06 |
| | P12-F-M18X1.5M-BH-12L | M18X1.5 | 38.1 | 1.50 | 87.0 | 3.43 | 27.0 | 1.06 |
| | P12-F-M18X1.5 | M18X1.5 | 38.1 | 1.50 | 66.0 | 2.60 | 27.0 | 1.06 |
| | P12-F-M20X1.5M-12S | M20X1.5 | 38.1 | 1.50 | 73.5 | 2.89 | 27.0 | 1.06 |
| | P12-F-M20X1.5M-BH-12S | M20X1.5 | 38.1 | 1.50 | 87.0 | 3.43 | 27.0 | 1.06 |
| | P12-F-M22X1.5 | M22X1.5 | 38.1 | 1.50 | 66.0 | 2.60 | 27.0 | 1.06 |
| | P12-F-M22X1.5M-BH-14S | M22X1.5 | 38.1 | 1.50 | 89.0 | 3.50 | 27.0 | 1.06 |
| | P12-F-M22X1.5M-15L | M22X1.5 | 38.1 | 1.50 | 75.5 | 2.97 | 27.0 | 1.06 |
| | P12-F-M22X1.5M-BH-15L | M22X1.5 | 38.1 | 1.50 | 89.0 | 3.50 | 27.0 | 1.06 |
| | P12-F-M26X1.5M-BH-18L | M26X1.5 | 38.1 | 1.50 | 89.0 | 3.50 | 27.0 | 1.06 |
| | P12-F-M30X2-20S | M30X2 | 38.1 | 1.50 | 77.5 | 3.05 | 27.0 | 1.06 |

For all other configurations or thread types please contact the sales office.
For dust protection use IA12-F-PLUG



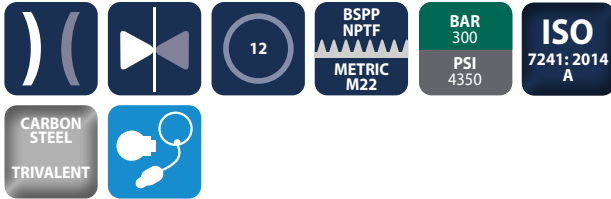
Connect under pressure female couplings (Connects to 1/2" ISO A male probes)

IAP Series



INTRODUCTION

Holmbury's IAP Series ISO A female couplings are designed primarily for the agricultural industry and incorporate a push/pull design with connect under pressure feature. The coupling can be either panel mounted using circlip grooves or manifold mounted.



CONSTRUCTION

- Carbon steel with trivalent plating
- Fitted with NBR seals
- Available with either a short or long body

FEATURES

- Can be connected with residual pressure in the line (male side only)
- Can be connected with standard ISO A 1/2" male couplings (Made to the ISO 7241:2014 Series A Standard)
- Release mechanism protects coupling and hose from damage in event of accidental separating force
- Locking ball system allows quick connection
- Bidirectional flow



ACCESSORIES

- Dust plugs are available for the IAP Series

SPECIFICATIONS

- Operating temperatures (with NBR seals):
-40°C (-40°F) to 106°C (223°F)

APPLICATIONS

- Agricultural
- Mobile
- Construction
- General hydraulics

*Please specify whether you require short or long body when ordering

IAP PERFORMANCE CHARACTERISTICS

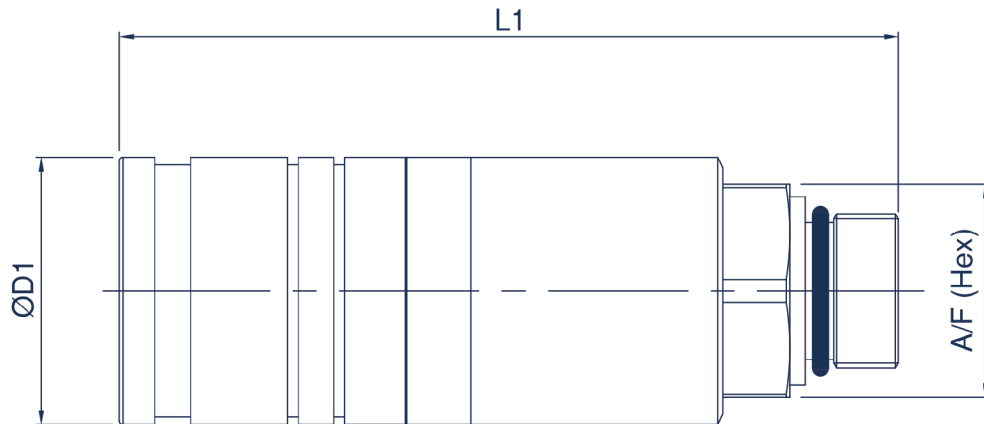
| Body Size | IAP12 | |
|------------------------------------|-------------------------------|-------------------------------|
| | Pressure in bar - Flow in LPM | Pressure in PSI - Flow in GPM |
| Maximum working pressure (Coupled) | 300 | 4350 |
| | Burst pressure (Coupled) | 1000 14500 |
| Burst pressure (Female) | 1000 | 14500 |
| | Rated flow | 45 12 |

PLUGS ACCESSORIES

FEMALE PLUGS

IA12-F-PLUG

Standard colour is red pvc, other colours available upon request



IAP FEMALE COUPLING

| Body Size | Part Number | Thread Size | D1 | | L1 | | A/F | |
|-----------|--------------------|-------------|------|------|-------|------|------|------|
| | | | mm | inch | mm | inch | mm | inch |
| 12 (1/2) | IAP12-F-08G | 1/2 BSPP | 38.0 | 1.50 | 107.0 | 4.21 | 27.0 | 1.06 |
| | IAP12-F-08N | 1/2 NPTF | 38.0 | 1.50 | 107.0 | 4.21 | 27.0 | 1.06 |
| | IAP12-F-M22X1.5M | M22X1.5 | 38.0 | 1.50 | 99.0 | 3.90 | 32.0 | 1.26 |
| | IAP12-F-M22X1.5M-L | M22X1.5 | 38.0 | 1.50 | 111.0 | 4.37 | 32.0 | 1.26 |

For all other configurations or thread types please contact the sales office.



Connect under pressure ISO A couplings made to the ISO 7241:2014 Series A standard

IAPC Series



INTRODUCTION

Holmbury's IAPC Series ISO A couplings incorporate a pressure relief mechanism that enable them to be connected under pressure by hand.



CONSTRUCTION

- Female half available in either a 'Pull Break' or 'Push Pull' design (See drawing for differentiation)
- Carbon steel with trivalent plating
- Fitted with NBR seals

FEATURES

- Connects with up to 250 bar (3675 psi) residual pressure (If both male and female are IAPC couplings)
- Poppet valves have balanced springs
- Locking ball system allows quick connection
- Bidirectional flow

ACCESSORIES

- Dust caps and plugs are available for the IAPC Series

SPECIFICATIONS

- Operating temperatures (with NBR seals): -40°C (-40°F) to 106°C (223°F)

APPLICATIONS

- Agricultural
- Mobile
- Construction
- General hydraulics

IAPC PERFORMANCE CHARACTERISTICS

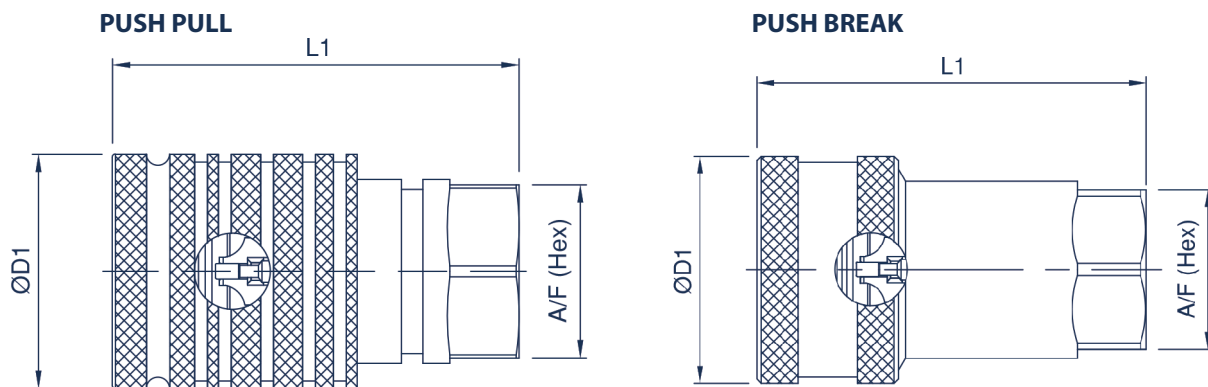
| Body Size | IAPC12 (PP) | IAPC12 (PB) | |
|------------------------------------|-------------------------------|---------------|-------------------------------|
| | Pressure in bar - Flow in LPM | | Pressure in PSI - Flow in GPM |
| Maximum working pressure (Coupled) | 320 4640 | 320 4640 | |
| Burst pressure (Coupled) | 1500 21750 | 1500 21750 | |
| Burst pressure (Male) | 1500 21750 | 1500 21750 | |
| Burst pressure (Female) | 1400 20300 | 1400 20300 | |
| Rated flow | 45 | 45 | |
| | 12 | 12 | |

CAPS/PLUGS ACCESSORIES

| FEMALE PLUGS | MALE CAPS |
|--------------|------------|
| IA12-F-PLUG | IA12-M-CAP |

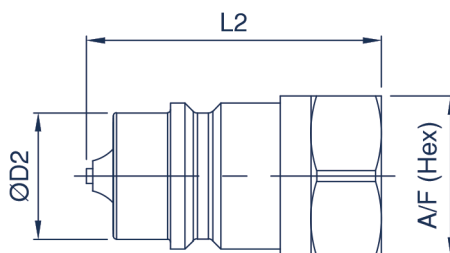
Standard colour is red pvc, other colours available upon request

For IAPC performance characteristics see IA12-M (page 44).



IAPC FEMALE COUPLING

| Body Size | Part Number | Thread Size | D1 | | L1 | | A/F | |
|-----------|--------------|-------------|------|------|------|------|------|------|
| | | | mm | inch | mm | inch | mm | inch |
| 12 (1/2) | IAPC12-F-08G | 1/2 BSPP | 38.0 | 1.50 | 66.5 | 2.62 | 27.0 | 1.06 |
| | IAPC12-F-08N | 1/2 NPTF | 38.0 | 1.50 | 66.5 | 2.62 | 27.0 | 1.06 |
| | IAPC12-F-08S | 3/4-16 UNF | 38.0 | 1.50 | 66.5 | 2.62 | 27.0 | 1.06 |



IAPC MALE COUPLING

| Body Size | Part Number | Thread Size | D2 | | L2 | | A/F | |
|-----------|--------------|-------------|-------|------|------|------|------|------|
| | | | mm | inch | mm | inch | mm | inch |
| 12 (1/2) | IAPC12-M-08G | 1/2 BSPP | 20.52 | 0.81 | 43.5 | 1.71 | 27.0 | 1.06 |
| | IAPC12-M-08N | 1/2 NPTF | 20.52 | 0.81 | 43.5 | 1.71 | 27.0 | 1.06 |
| | IAPC12-M-08S | 3/4-16 UNF | 20.52 | 0.81 | 43.5 | 1.71 | 27.0 | 1.06 |

For all other configurations or thread types please contact the sales office.



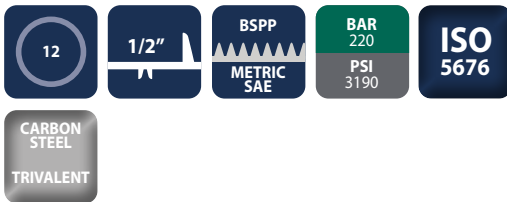
Trailer brake couplings made to the ISO 5676 Standard

TB Series



INTRODUCTION

Holmbury's TB Series trailer brake couplings are used to connect the hydraulic braking system of tractors to trailers. The male coupling is normally panel mounted on the tractor.



CONSTRUCTION

- Carbon steel with trivalent plating
- Fitted with NBR seals

FEATURES

- Male couplings can be panel mounted
- Female couplings are supplied with parking station
- Bidirectional flow

ACCESSORIES

- Not applicable

SPECIFICATIONS

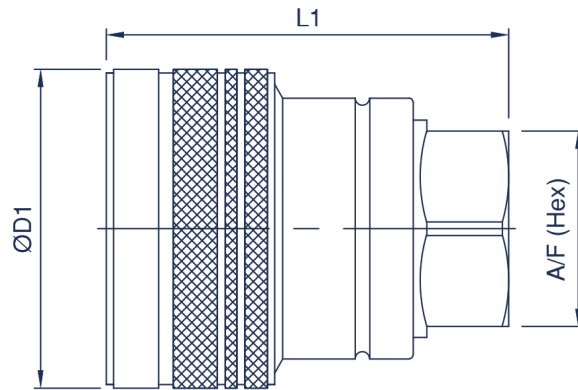
- Operating temperatures (with NBR seals): -40°C (-40°F) to 106°C (223°F)

APPLICATIONS

- Trailer connections
- Hydraulic brake systems

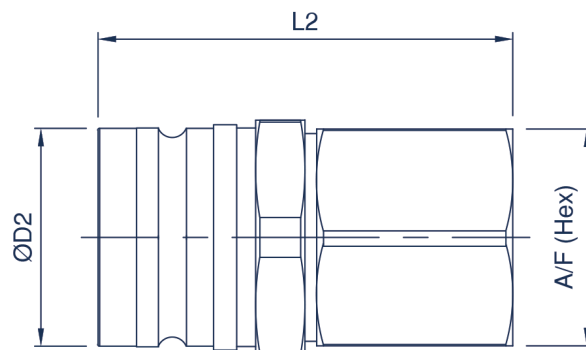
TB PERFORMANCE CHARACTERISTICS

| Series Variant | TB12 |
|------------------------------------|--|
| | Pressure in bar - Flow in LPM Pressure in PSI - Flow in GPM |
| Maximum working pressure (Coupled) | 220 |
| | 3190 |
| Burst pressure (Coupled) | 900 |
| | 13050 |
| Burst pressure (Male) | 1110 |
| | 16095 |
| Burst pressure (Female) | 900 |
| | 13050 |
| Rated flow | 45 |
| | 12 |



TB FEMALE COUPLING

| Body Size | Part Number | Thread Size | D1 | | L1 | | A/F | |
|-----------|------------------------|-------------|------|------|------|------|------|------|
| | | | mm | inch | mm | inch | mm | inch |
| 12 (1/2) | TB12-F-06G | 3/8 BSPP | 44.0 | 1.73 | 55.5 | 2.19 | 27.0 | 1.06 |
| | TB12-F-08G | 1/2 BSPP | 44.0 | 1.73 | 55.5 | 2.19 | 27.0 | 1.06 |
| | TB12-F-M16x1.5 | M16x1.5 | 44.0 | 1.73 | 55.5 | 2.19 | 27.0 | 1.06 |
| | TB12-F-M20x1.5 | M20x1.5 | 44.0 | 1.73 | 55.5 | 2.19 | 27.0 | 1.06 |
| | TB12-F-M22X1.5M-BH-15L | M22X1.5 | 44.0 | 1.73 | 83.5 | 2.30 | 27.0 | 1.06 |



TB MALE COUPLING

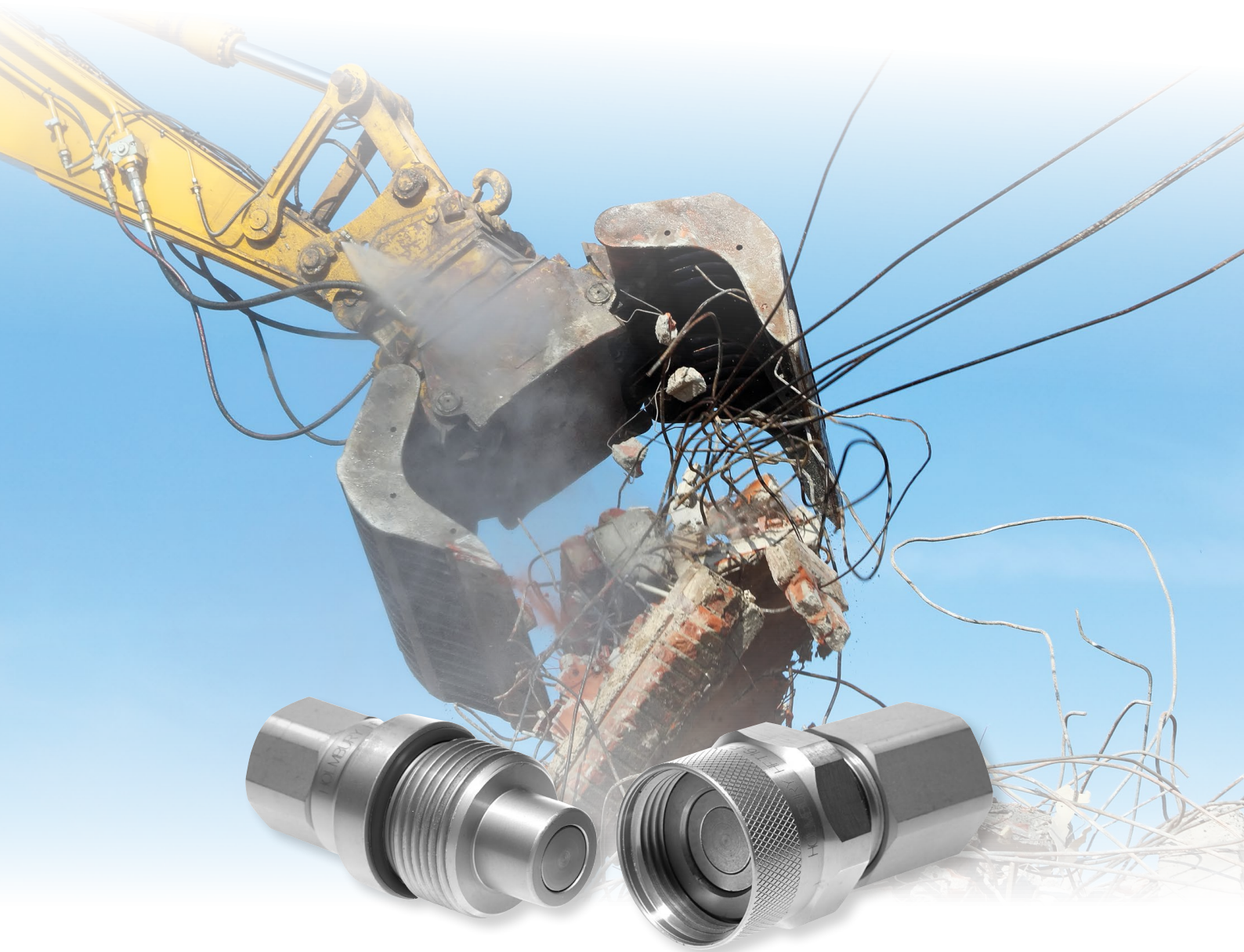
| Body Size | Part Number | Thread Size | D2 | | L2 | | A/F | |
|-----------|------------------------|-------------|------|------|------|------|------|------|
| | | | mm | inch | mm | inch | mm | inch |
| 12 (1/2) | TB12-M-06G | 3/8 BSPP | 29.0 | 0.81 | 55.5 | 2.19 | 30.0 | 1.18 |
| | TB12-M-08G | 1/2 BSPP | 29.0 | 0.81 | 55.5 | 2.19 | 30.0 | 1.18 |
| | TB12-M-08GM | 1/2 BSPP | 29.0 | 0.81 | 48.0 | 1.89 | 30.0 | 1.18 |
| | TB12-M-08GM-BHX36 | 1/2 BSPP | 29.0 | 0.81 | 58.5 | 2.30 | 30.0 | 1.18 |
| | TB12-M-08SM | 3/4-16 UNF | 29.0 | 0.81 | 48.0 | 1.89 | 30.0 | 1.18 |
| | TB12-M-M18x1.5M-BH-12L | M18X1.5 | 29.0 | 0.81 | 58.5 | 2.30 | 30.0 | 1.18 |
| | TB12-M-M20x1.5M-BH-12S | M20x1.5 | 29.0 | 0.81 | 58.5 | 2.30 | 30.0 | 1.18 |
| | TB12-M-M22x1.5M-BH-15L | M22X1.5 | 29.0 | 0.81 | 60.5 | 2.30 | 30.0 | 1.18 |

For all other configurations or thread types please contact the sales office.



SCREW TO CONNECT COUPLINGS

Screw to connect couplings are the game changers when it comes to dealing with high pressure pulsing applications, elimination of brinelling and connecting/disconnecting with residual pressure present in systems.







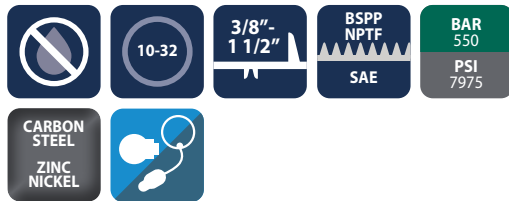
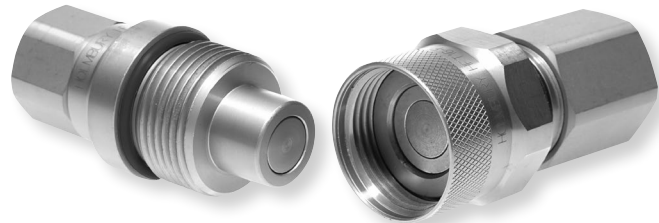
Screw to connect flat face couplings

HFT Series



INTRODUCTION

Holmbury's HFT Series flat faced screw to connect couplings provide a stronger connection and eliminate brinelling. An ideal solution for high pressure pulses and demanding applications.



CONSTRUCTION

- Carbon steel with zinc nickel plating (1200 hours with no red rust in salt spray tests)
- Fitted with NBR seals

FEATURES

- Screw to connect design eliminates brinelling
- Flat faces are easily wiped clean
- Allows for minimal inclusion of air and contaminants during connection
- Flat face design prevents fluid loss during disconnection
- Bidirectional flow

ACCESSORIES

- Dust caps, plugs and seal kits are available for the HFT Series

SPECIFICATIONS

- Operating temperatures (With NBR seals): -40°C (-40°F) to 106°C (223°F)

APPLICATIONS

- Hydraulic attachments
- Hammer circuits
- High pressure pulse applications
- Leak free environments
- Construction plant, mobile equipment, general industrial, mining and agricultural industries

Contact Holmbury for special requests on thread types/sizes not listed.

HFT PERFORMANCE CHARACTERISTICS

| Body Size | HFT10 | HFT12 | HFT16 | HFT19 | HFT25 | HFT32 |
|------------------------------------|-------------------------------|---------------|---------------|---------------|---------------|---------------|
| | Pressure in bar - Flow in LPM | | | | | |
| | Pressure in PSI - Flow in GPM | | | | | |
| Maximum working pressure (Coupled) | 550 7975 | 550 7975 | 550 7975 | 500 7250 | 470 6815 | 400 5800 |
| Burst pressure (Coupled) | 1400 20300 | 1400 20300 | 1400 20300 | 1400 20300 | 1300 18850 | 1100 15950 |
| Burst pressure (Male) | 1400 20300 | 1400 20300 | 1400 20300 | 1400 20300 | 1300 18850 | 1100 15950 |
| Burst pressure (Female) | 1100 15950 | 1000 14500 | 1000 14500 | 1050 15225 | 1000 14500 | 800 11600 |
| Rated flow | 23 6.1 | 45 12 | 74 20 | 100 26.4 | 189 50 | 250 66 |

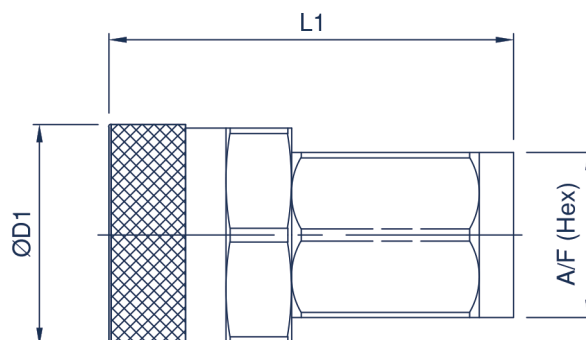
CAPS/PLUGS ACCESSORIES

| FEMALE PLUGS | MALE CAPS |
|--------------|-------------|
| HFT10-F-PLUG | HFT10-M-CAP |
| HFT12-F-PLUG | HFT12-M-CAP |
| HFT16-F-PLUG | HFT16-M-CAP |
| HFT19-F-PLUG | HFT19-M-CAP |
| HFT25-F-PLUG | HFT25-M-CAP |
| HFT32-F-PLUG | HFT32-M-CAP |

Standard material is natural, anodized aluminium

SEAL KITS

| |
|----------------|
| HFT10-SEAL KIT |
| HFT12-SEAL KIT |
| HFT16-SEAL KIT |
| HFT19-SEAL KIT |
| HFT25-SEAL KIT |
| HFT32-SEAL KIT |



HFT FEMALE COUPLING

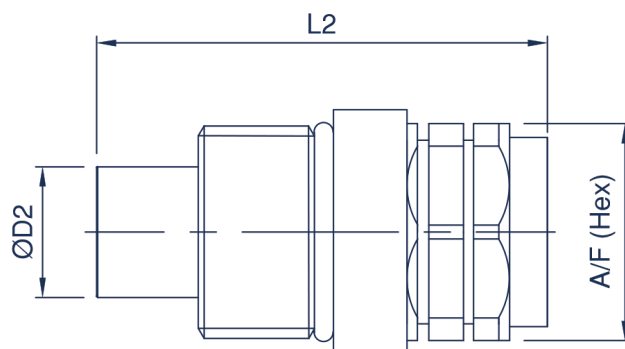
| Body Size | Part Number | Thread Size | D1 | | L1 | | A/F | |
|-----------|-------------|--------------|------|------|-------|------|------|------|
| | | | mm | inch | mm | inch | mm | inch |
| 10 (3/8) | HFT10-F-06G | 3/8 BSPP | 38.0 | 1.50 | 71.0 | 2.80 | 30.0 | 1.18 |
| | HFT10-F-06N | 3/8 NPTF | 38.0 | 1.50 | 71.0 | 2.80 | 30.0 | 1.18 |
| | HFT10-F-08G | 1/2 BSPP | 38.0 | 1.50 | 71.0 | 2.80 | 30.0 | 1.18 |
| | HFT10-F-08N | 1/2 NPTF | 38.0 | 1.50 | 71.0 | 2.80 | 30.0 | 1.18 |
| | HFT10-F-08S | 3/4-16 UNF | 38.0 | 1.50 | 71.0 | 2.80 | 30.0 | 1.18 |
| 12 (1/2) | HFT12-F-08G | 1/2 BSPP | 46.0 | 1.81 | 78.0 | 3.07 | 36.0 | 1.42 |
| | HFT12-F-08N | 1/2 NPTF | 46.0 | 1.81 | 78.0 | 3.07 | 36.0 | 1.42 |
| | HFT12-F-08S | 3/4-16 UNF | 46.0 | 1.81 | 78.0 | 3.07 | 36.0 | 1.42 |
| | HFT12-F-12G | 3/4 BSPP | 46.0 | 1.81 | 78.0 | 3.07 | 36.0 | 1.42 |
| | HFT12-F-12N | 3/4 NPTF | 46.0 | 1.81 | 78.0 | 3.07 | 36.0 | 1.42 |
| | HFT12-F-12S | 1 1/16-12 UN | 46.0 | 1.81 | 78.0 | 3.07 | 36.0 | 1.42 |
| 16 (5/8) | HFT16-F-12G | 3/4 BSPP | 50.0 | 1.97 | 85.0 | 3.35 | 41.0 | 1.61 |
| | HFT16-F-12N | 3/4 NPTF | 50.0 | 1.97 | 85.0 | 3.35 | 41.0 | 1.61 |
| | HFT16-F-12S | 1 1/16-12 UN | 50.0 | 1.97 | 85.0 | 3.35 | 41.0 | 1.61 |
| 19 (3/4) | HFT19-F-12G | 3/4 BSPP | 55.0 | 2.17 | 100.0 | 3.94 | 46.0 | 1.81 |
| | HFT19-F-12N | 3/4 NPTF | 55.0 | 2.17 | 100.0 | 3.94 | 46.0 | 1.81 |
| | HFT19-F-16G | 1 BSPP | 55.0 | 2.17 | 100.0 | 3.94 | 46.0 | 1.81 |
| | HFT19-F-16N | 1 NPTF | 55.0 | 2.17 | 100.0 | 3.94 | 46.0 | 1.81 |
| | HFT19-F-16S | 1 5/16-12 UN | 55.0 | 2.17 | 100.0 | 3.94 | 46.0 | 1.81 |
| 25 (1) | HFT25-F-20G | 1 1/4 BSPP | 65.0 | 2.56 | 111.5 | 4.39 | 55.0 | 2.17 |
| | HFT25-F-20N | 1 1/4 NPTF | 65.0 | 2.56 | 111.5 | 4.39 | 55.0 | 2.17 |
| | HFT25-F-20S | 1 5/8-12 UN | 65.0 | 2.56 | 111.5 | 4.39 | 55.0 | 2.17 |
| 25 (1) | HFT32-F-24G | 1 1/2 BSPP | 90.0 | 3.55 | 144.0 | 5.67 | 65.0 | 2.56 |
| | HFT32-F-24N | 1 1/2 NPTF | 90.0 | 3.55 | 144.0 | 5.67 | 65.0 | 2.56 |
| | HFT32-F-24S | 1 7/8-12 UN | 90.0 | 3.55 | 144.0 | 5.67 | 65.0 | 2.56 |

For all other configurations or thread types please contact the sales office.

FEMALE Coupling CONTINUED OVERLEAF



Screw to connect flat face couplings



HFT MALE COUPLING

| Body Size | Part Number | Thread Size | D2 | | L2 | | A/F | |
|-----------------|-------------|--------------|------|------|-------|------|------|------|
| | | | mm | inch | mm | inch | mm | inch |
| 10 (3/8) | HFT10-M-06G | 3/8 BSPP | 19.7 | 0.78 | 85.0 | 3.35 | 27.0 | 1.06 |
| | HFT10-M-06N | 3/8 NPTF | 19.7 | 0.78 | 85.0 | 3.35 | 27.0 | 1.06 |
| | HFT10-M-08G | 1/2 BSPP | 19.7 | 0.78 | 85.0 | 3.35 | 27.0 | 1.06 |
| | HFT10-M-08N | 1/2 NPTF | 19.7 | 0.78 | 85.0 | 3.35 | 27.0 | 1.06 |
| | HFT10-M-08S | 3/4-16 UNF | 19.7 | 0.78 | 85.0 | 3.35 | 27.0 | 1.06 |
| 12 (1/2) | HFT12-M-08G | 1/2 BSPP | 24.5 | 0.97 | 95.0 | 3.74 | 36.0 | 1.42 |
| | HFT12-M-08N | 1/2 NPTF | 24.5 | 0.97 | 95.0 | 3.74 | 36.0 | 1.42 |
| | HFT12-M-08S | 3/4-16 UNF | 24.5 | 0.97 | 95.0 | 3.74 | 36.0 | 1.42 |
| | HFT12-M-12G | 3/4 BSPP | 24.5 | 0.97 | 95.0 | 3.74 | 36.0 | 1.42 |
| | HFT12-M-12N | 3/4 NPTF | 24.5 | 0.97 | 95.0 | 3.74 | 36.0 | 1.42 |
| | HFT12-M-12S | 1 1/16-12 UN | 24.5 | 0.97 | 95.0 | 3.74 | 36.0 | 1.42 |
| 16 (5/8) | HFT16-M-12G | 3/4 BSPP | 27.0 | 1.06 | 99.0 | 3.90 | 36.0 | 1.42 |
| | HFT16-M-12N | 3/4 NPTF | 27.0 | 1.06 | 99.0 | 3.90 | 36.0 | 1.42 |
| | HFT16-M-12S | 1 1/16-12 UN | 27.0 | 1.06 | 99.0 | 3.90 | 36.0 | 1.42 |
| 19 (3/4) | HFT19-M-12G | 3/4 BSPP | 29.9 | 1.18 | 114.0 | 4.49 | 46.0 | 1.81 |
| | HFT19-M-12N | 3/4 NPTF | 29.9 | 1.18 | 114.0 | 4.49 | 46.0 | 1.81 |
| | HFT19-M-16G | 1 BSPP | 29.9 | 1.18 | 114.0 | 4.49 | 46.0 | 1.81 |
| | HFT19-M-16N | 1 NPTF | 29.9 | 1.18 | 114.0 | 4.49 | 46.0 | 1.81 |
| | HFT19-M-16S | 1 5/16-12 UN | 29.9 | 1.18 | 114.0 | 4.49 | 46.0 | 1.81 |
| 25 (1) | HFT25-M-20G | 1 1/4 BSPP | 36.0 | 1.42 | 123.5 | 4.86 | 55.0 | 2.17 |
| | HFT25-M-20N | 1 1/4 NPTF | 36.0 | 1.42 | 123.5 | 4.86 | 55.0 | 2.17 |
| | HFT25-M-20S | 1 5/8-12 UN | 36.0 | 1.42 | 123.5 | 4.86 | 55.0 | 2.17 |
| 25 (1) | HFT32-M-24G | 1 1/2 BSPP | 57.0 | 2.24 | 150.0 | 5.91 | 65.0 | 2.56 |
| | HFT32-M-24N | 1 1/2 NPTF | 57.0 | 2.24 | 150.0 | 5.91 | 65.0 | 2.56 |
| | HFT32-M-24S | 1 7/8-12 UN | 57.0 | 2.24 | 150.0 | 5.91 | 65.0 | 2.56 |

For all other configurations or thread types please contact the sales office.

INSTALLATION INSTRUCTIONS HFT, FSC & RK

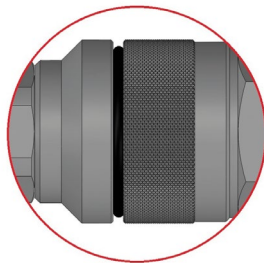


WARNING! Incorrect installation prior to use risks serious injury to persons and damage to the couplers or equipment.

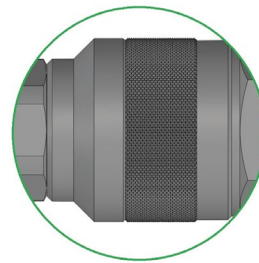
The following procedure **MUST** be adhered to:

1. Thread the rotating outer sleeve onto the male thread until hand tight.
2. Use a suitable wrench to tighten the outer sleeve further until metal-to-metal contact is made and the O-ring is completely covered.

**PARTIALLY
CONNECTED
INCORRECT**



**PARTIALLY
CONNECTED
CORRECT**



The connection should be checked before, during and after use to ensure full and proper connection is always maintained.

Any damage caused to the seals by incorrect installation will void the manufacturer's warranty.

***This warning is directly, but not exclusively, applicable to Holmbury Series HFT, FSC & RK.**



Screw to connect heavy duty couplings

FSC Series



INTRODUCTION

Holmbury's FSC Series flat faced screw to connect couplings offer a compact, rugged connection to eliminate brinelling. An ideal solution for high pressure pulses and demanding applications.



CONSTRUCTION

- Carbon steel with zinc nickel plating (1200 hours with no red rust in salt spray tests)
- Fitted with NBR seals, Polyurethane and PTFE backup ring
- Other seal options available on request

FEATURES

- Screw to connect design eliminates brinelling
- Integral connect under pressure feature
- Flat faces are easily wiped clean
- Allows for minimal inclusion of air and contaminants during connection
- Flat face design prevents fluid loss during disconnection
- Bidirectional flow
- Interchangeable with other leading brands. Contact Holmbury for more information

ACCESSORIES

- Dust caps, plugs and seal kits are available for the FSC Series

SPECIFICATIONS

- Operating temperatures (With NBR seals): -30°C (-22°F) to 100°C (212°F)

APPLICATIONS

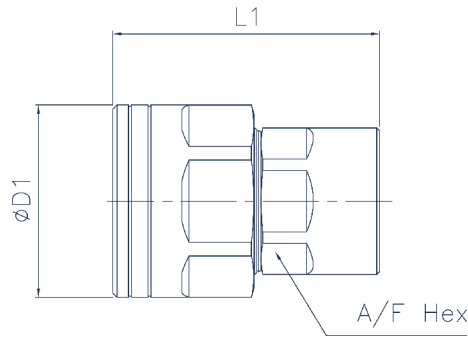
- Hydraulic attachments
- Hammer circuits
- High pressure pulse applications
- Leak free environments
- Construction plant, mobile equipment, general industrial, mining and agricultural industries
- Agricultural

FSC PERFORMANCE CHARACTERISTICS

| Body Size | FSC10 | FSC12 | FSC16 | FSC19 | FSC25 |
|------------------------------------|-------------------------------|-------|-------|-------|-------|
| | Pressure in bar - Flow in LPM | | | | |
| | Pressure in PSI - Flow in GPM | | | | |
| Maximum working pressure (Coupled) | 350 | 350 | 350 | 350 | 350 |
| | 5076 | 5076 | 5076 | 5076 | 5076 |
| Rated flow | 23 | 45 | 74 | 100 | 189 |
| | 6.1 | 12 | 20 | 26.4 | 50 |

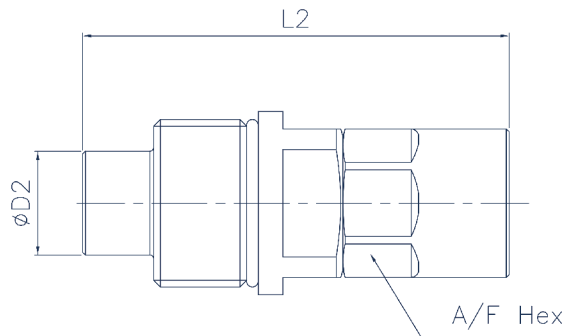
CAPS/PLUGS ACCESSORIES

| FEMALE PLUGS | MALE CAPS |
|--------------|-------------|
| HFT10-F-PLUG | HFT10-M-CAP |
| HFT12-F-PLUG | HFT12-M-CAP |
| HFT16-F-PLUG | HFT16-M-CAP |
| HFT19-F-PLUG | HFT19-M-CAP |
| HFT25-F-PLUG | HFT25-M-CAP |



FSC FEMALE COUPLING

| Body Size | Part Number | Thread Size | D1 | | L1 | | A/F | |
|-----------|-------------|--------------|------|------|------|------|------|------|
| | | | mm | inch | mm | inch | mm | inch |
| 10 (3/8) | FSC10-F-06N | 3/8 NPTF | 41.3 | 1.63 | 67.9 | 2.67 | 23.8 | 0.94 |
| | FSC10-F-08N | 1/2 NPTF | 41.3 | 1.63 | 69.1 | 2.72 | 25.4 | 1.00 |
| | FSC10-F-08S | 3/4-16 UNF | 41.3 | 1.63 | 69.1 | 2.72 | 23.8 | 0.94 |
| 12 (1/2) | FSC12-F-08N | 1/2 NPTF | 49.2 | 1.94 | 76.4 | 3.01 | 28.6 | 1.12 |
| | FSC12-F-12N | 3/4 NPTF | 49.2 | 1.94 | 78.3 | 3.08 | 33.3 | 1.31 |
| | FSC12-F-12S | 1 1/16-12 UN | 49.2 | 1.94 | 78.9 | 3.11 | 33.3 | 1.31 |
| 16 (5/8) | FSC16-F-12N | 3/4 NPTF | 54.0 | 2.12 | 83.6 | 3.29 | 30.0 | 1.18 |
| | FSC16-F-12S | 1 1/16-12 UN | 54.0 | 2.12 | 83.6 | 3.29 | 30.0 | 1.18 |
| 19 (3/4) | FSC19-F-16N | 1 NPTF | 58.7 | 2.31 | 91.5 | 3.60 | 34.9 | 1.37 |
| | FSC19-F-16S | 1 5/16-12 UN | 58.7 | 2.31 | 91.0 | 3.58 | 36.5 | 1.44 |
| 25 (1) | FSC25-F-20N | 1 1/4 NPTF | 66.7 | 2.63 | 93.2 | 3.67 | 46.0 | 1.81 |
| | FSC25-F-20S | 1 5/8-12 UN | 66.7 | 2.63 | 92.7 | 3.65 | 46.0 | 1.81 |



FSC MALE COUPLING

| Body Size | Part Number | Thread Size | D2 | | L2 | | A/F | |
|-----------|-------------|--------------|------|------|-------|------|------|------|
| | | | mm | inch | mm | inch | mm | inch |
| 10 (3/8) | FSC10-M-06N | 3/8 NPTF | 19.7 | 0.78 | 92.6 | 3.65 | 19.1 | 0.75 |
| | FSC10-M-08N | 1/2 NPTF | 19.7 | 0.78 | 94.7 | 3.73 | 25.4 | 1.00 |
| | FSC10-M-08S | 3/4-16 UNF | 19.7 | 0.78 | 94.9 | 3.74 | 23.8 | 0.94 |
| 12 (1/2) | FSC12-M-08N | 1/2 NPTF | 24.5 | 0.96 | 96.6 | 3.80 | 30.0 | 1.18 |
| | FSC12-M-12N | 3/4 NPTF | 24.5 | 0.96 | 100.6 | 3.96 | 30.0 | 1.18 |
| | FSC12-M-12S | 1 1/16-12 UN | 24.5 | 0.96 | 102.6 | 4.04 | 30.0 | 1.18 |
| 16 (5/8) | FSC16-M-12N | 3/4 NPTF | 26.9 | 1.06 | 124.5 | 4.90 | 30.0 | 1.18 |
| | FSC16-M-12S | 1 1/16-12 UN | 26.9 | 1.06 | 126.7 | 4.99 | 30.0 | 1.18 |
| 19 (3/4) | FSC19-M-16N | 1 NPTF | 29.9 | 1.18 | 130.5 | 5.14 | 36.5 | 1.44 |
| | FSC19-M-16S | 1 5/16-12 UN | 29.9 | 1.18 | 132.3 | 5.21 | 36.5 | 1.44 |
| 25 (1) | FSC25-M-20N | 1 1/4 NPTF | 36.0 | 1.42 | 150.6 | 5.93 | 46.0 | 1.81 |
| | FSC25-M-20S | 1 5/8-12 UN | 36.0 | 1.42 | 148.1 | 5.83 | 46.0 | 1.81 |

CAUTION - Please see installation guide on page 89



Screw to connect semi flat face zero leakage couplings

RK Series



INTRODUCTION

Holmbury's RK Series screw to connect couplings are designed for heavy-duty service conditions in applications including construction plant, high pressure pulse and agricultural machinery.



CONSTRUCTION

- Carbon steel with zinc nickel plating (1200 hours with no red rust in salt spray tests)
- Fitted with NBR seals

FEATURES

- Screw to connect design eliminates brinelling
- Allows for minimal inclusion of air and contaminants during connection
- Flat face design prevents fluid loss during disconnection
- Bidirectional flow
- Can be connected with up to 50 bar (735 psi) residual pressure in the hydraulic circuit

ACCESSORIES

- Dust caps, plugs and seal kits are available for the RK Series

SPECIFICATIONS

- Operating temperatures (With NBR seals): -40°C (-40°F) to 106°C (223°F)

APPLICATIONS

- High pressure pulse applications
- Construction plant
- Mobile equipment
- Demolition
- Agricultural

RK PERFORMANCE CHARACTERISTICS

| Body Size | RK08 | RK12 | RK16 | RK20 | RK25 |
|------------------------------------|-------------------------------|---------------|---------------|---------------|---------------|
| | Pressure in bar - Flow in LPM | | | | |
| | Pressure in PSI - Flow in GPM | | | | |
| Maximum working pressure (Coupled) | 420 6090 | 420 6090 | 420 6090 | 350 5075 | 420 6090 |
| Burst pressure (Coupled) | 1600 23205 | 1600 23206 | 1260 18275 | 1000 14505 | 1150 16680 |
| Burst pressure (Male) | 1600 23205 | 1600 23205 | 1260 18275 | 1000 14505 | 1100 15955 |
| Burst pressure (Female) | 1600 23205 | 1600 23205 | 1260 18275 | 1200 17405 | 900 13055 |
| Rated flow | 23 6.1 | 45 11.9 | 74 20 | 106 28 | 189 50 |

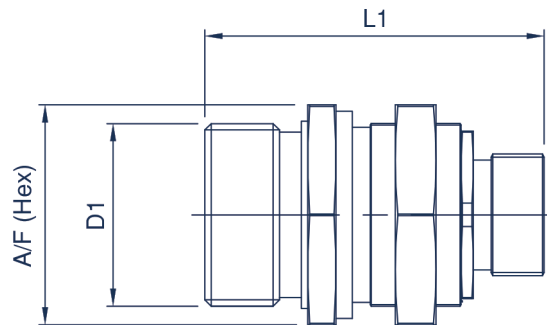
CAPS/PLUGS ACCESSORIES

| FEMALE CAPS | MALE PLUGS |
|-------------|-------------|
| RK08-F-CAP | RK08-M-PLUG |
| RK12-F-CAP | RK12-M-PLUG |
| RK16-F-CAP | RK16-M-PLUG |
| RK20-F-CAP | RK20-M-PLUG |
| RK25-F-CAP | RK25-M-PLUG |

Standard material is natural, anodized aluminium

SEAL KITS

| FEMALE SEALS | MALE SEALS |
|-----------------|-----------------|
| RK08-F-SEAL KIT | RK08-M-SEAL KIT |
| RK12-F-SEAL KIT | RK12-M-SEAL KIT |
| RK16-F-SEAL KIT | RK16-M-SEAL KIT |
| RK20-F-SEAL KIT | RK20-M-SEAL KIT |
| RK25-F-SEAL KIT | RK25-M-SEAL KIT |



RK FEMALE COUPLING

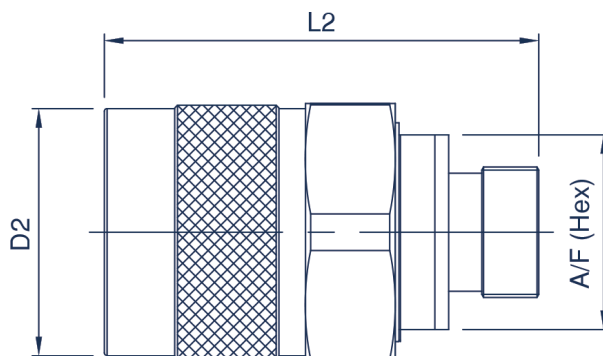
| Body Size | Part Number | Thread Size | A/F | | D1 (Thread) | L1 | |
|-----------|---------------------|-------------|------|------|----------------|-------|------|
| | | | mm | inch | | mm | inch |
| 08 (5/16) | RK08-F-M14X1.5M-8L | M14X1.5 | 36.0 | 1.42 | M32X3 | 57.0 | 2.24 |
| | RK08-F-M16X1.5M-10L | M16X1.5 | 36.0 | 1.42 | M32X3 | 58.0 | 2.28 |
| | RK08-F-M18X1.5M-12L | M18X1.5 | 36.0 | 1.42 | M32X3 | 58.0 | 2.28 |
| | RK08-F-M22X1.5M-15L | M22X1.5 | 36.0 | 1.42 | M32X3 | 59.0 | 2.32 |
| | RK08-F-M18X1.5M-10S | M18X1.5 | 36.0 | 1.42 | M32X3 | 59.0 | 2.32 |
| | RK08-F-M20X1.5M-12S | M20X1.5 | 36.0 | 1.42 | M32X3 | 59.0 | 2.32 |
| | RK08-F-M22X1.5M-14S | M22X1.5 | 36.0 | 1.42 | M32X3 | 61.0 | 2.40 |
| | RK08-F-M24X1.5M-16S | M24X1.5 | 36.0 | 1.42 | M32X3 | 61.0 | 2.40 |
| 12 (1/2) | RK12-F-M22MX1.5-15L | M22X1.5 | 41.0 | 1.61 | M36X3 | 65.0 | 2.56 |
| | RK12-F-M24X1.5M-16S | M24X1.5 | 41.0 | 1.61 | M36X3 | 67.0 | 2.64 |
| | RK12-F-M30X2M-20S | M30X2 | 41.0 | 1.61 | M36X3 | 69.5 | 2.74 |
| 16 (5/8) | RK16-F-M22X1.5M-15L | M22X1.5 | 55.0 | 2.17 | M48X3 | 75.2 | 2.96 |
| | RK16-F-M26X1.5M-18L | M26X1.5 | 55.0 | 2.17 | M48X3 | 75.2 | 2.96 |
| | RK16-F-M24X1.5M-16S | M24X1.5 | 55.0 | 2.17 | M48X3 | 77.2 | 3.04 |
| | RK16-F-M30X2M-20S | M30X2 | 55.0 | 2.17 | M48X3 | 79.2 | 3.12 |
| 20 (7/8) | RK20-F-M26X1.5M-18L | M26X1.5 | 55.0 | 2.17 | M54X4 | 91.0 | 3.58 |
| | RK20-F-M30X2M-22L | M30X2 | 55.0 | 2.17 | M54X4 | 93.0 | 3.66 |
| | RK20-F-M36X2M-28L | M36X2 | 55.0 | 2.17 | M54X4 | 92.0 | 3.62 |
| | RK20-F-M30X2M-20S | M30X2 | 55.0 | 2.17 | M54X4 | 95.0 | 3.74 |
| | RK20-F-M36X2M-25S | M36X2 | 55.0 | 2.17 | M54X4 | 97.0 | 3.82 |
| | RK20-F-M42X2M-30S | M42X2 | 55.0 | 2.17 | M54X4 | 99.0 | 3.90 |
| 25 (1) | RK25-F-M45X2M-35L | M45X2 | 85.0 | 3.35 | M79X4 | 122.0 | 4.80 |
| | RK25-F-M52X2M-42L | M52X2 | 85.0 | 3.35 | M79X4 | 119.0 | 4.80 |
| | RK25-F-M52X2-38S | M52X2 | 85.0 | 3.35 | M79X4 | 125.0 | 4.92 |

For all other configurations or thread types please contact the sales office.

CAUTION - Please see installation guide on page 89



Screw to connect semi flat face zero leakage couplings



RK MALE COUPLING

| Body Size | Part Number | Thread Size | D2 | | L2 | | A/F | |
|-----------|---------------------|-------------|------|------|-------|------|------|------|
| | | | mm | inch | mm | inch | mm | inch |
| 08 (5/16) | RK08-M-M14X1.5M-8L | M14X1.5 | 39.0 | 1.54 | 61.4 | 2.42 | 22.0 | 0.87 |
| | RK08-M-M16X1.5M-10L | M16X1.5 | 39.0 | 1.54 | 62.4 | 2.46 | 22.0 | 0.87 |
| | RK08-M-M18X1.5M-12L | M18X1.5 | 39.0 | 1.54 | 62.4 | 2.46 | 22.0 | 0.87 |
| | RK08-M-M22X1.5M-15L | M22X1.5 | 39.0 | 1.54 | 63.4 | 2.50 | 22.0 | 0.87 |
| | RK08-M-M18X1.5M-10S | M18X1.5 | 39.0 | 1.54 | 63.4 | 2.50 | 22.0 | 0.87 |
| | RK08-M-M20X1.5M-12S | M20X1.5 | 39.0 | 1.54 | 63.4 | 2.50 | 22.0 | 0.87 |
| | RK08-M-M22X1.5M-14S | M22X1.5 | 39.0 | 1.54 | 65.4 | 2.57 | 36.0 | 1.42 |
| 12 (1/2) | RK08-M-M24X1.5M-16S | M24X1.5 | 39.0 | 1.54 | 65.4 | 2.57 | 36.0 | 1.42 |
| | RK12-M-M22MX1.5-15L | M22X1.5 | 45.0 | 1.77 | 78.0 | 3.07 | 36.0 | 1.42 |
| | RK12-M-M24X1.5M-16S | M24X1.5 | 45.0 | 1.77 | 80.0 | 3.15 | 36.0 | 1.42 |
| 16 (5/8) | RK12-M-M30X2M-20S | M30X2 | 45.0 | 1.77 | 95.0 | 3.20 | 36.0 | 1.42 |
| | RK16-M-M22X1.5M-15L | M22X1.5 | 59.0 | 2.32 | 79.0 | 3.11 | 32.0 | 1.26 |
| | RK16-M-M26X1.5M-18L | M26X1.5 | 59.0 | 2.32 | 79.0 | 3.11 | 32.0 | 1.26 |
| | RK16-M-M24X1.5M-16S | M24X1.5 | 59.0 | 2.32 | 81.0 | 3.19 | 32.0 | 1.26 |
| 20 (7/8) | RK16-M-M30X2M-20S | M30X2 | 59.0 | 2.32 | 83.0 | 3.19 | 32.0 | 1.26 |
| | RK20-M-M26X1.5M-18L | M26X1.5 | 64.0 | 2.52 | 103.0 | 4.06 | 41.0 | 1.61 |
| | RK20-M-M30X2M-22L | M30X2 | 64.0 | 2.52 | 105.0 | 4.13 | 41.0 | 1.61 |
| | RK20-M-M36X2M-28L | M36X2 | 64.0 | 2.52 | 107.0 | 4.21 | 41.0 | 1.61 |
| | RK20-M-M30X2M-20S | M30X2 | 64.0 | 2.52 | 109.0 | 4.29 | 41.0 | 1.61 |
| | RK20-M-M36X2M-25S | M36X2 | 64.0 | 2.52 | 111.0 | 4.37 | 41.0 | 1.61 |
| 25 (1) | RK20-M-M42X2M-30S | M42X2 | 64.0 | 2.52 | 111.0 | 4.37 | 41.0 | 1.61 |
| | RK25-M-M45X2M-35L | M45X2 | 90.0 | 3.54 | 136.0 | 5.35 | 55.0 | 2.17 |
| | RK25-M-M52X2M-42L | M52X2 | 90.0 | 3.54 | 136.0 | 5.35 | 55.0 | 2.17 |
| | RK25-M-M52x2M-38S | M52X2 | 90.0 | 3.54 | 136.0 | 5.35 | 55.0 | 2.17 |

For all other configurations or thread types please contact the sales office.





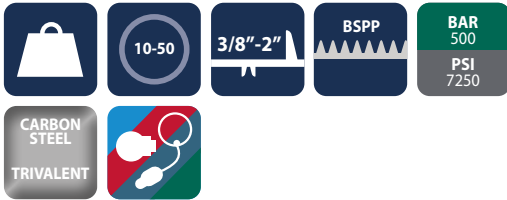
Screw to connect heavy duty couplings

HSC Series



INTRODUCTION

Holmbury's HSC Series screw to connect couplings are designed for heavy-duty, high pressure pulse applications. The unique design is built to withstand the most severe pressure pulses where other couplings fail.



CONSTRUCTION

- Carbon steel with trivalent plating
- Available only with BSPP threads
- Fitted with FKM seals

FEATURES

- Screw to connect design eliminates brinelling
- Bidirectional flow
- Once connected all internal parts are held rigid which significantly reduces fatigue of the poppet, spring and coupling body
- Can be connected and disconnected under pressure
- All internal components are replaceable
- Supplied with caps and plugs to protect threads and limit inclusion of contaminant

ACCESSORIES

- Dust caps, plugs, seal kits, repair kits, weldable brackets, spanner and tool sets are available for the HSC Series

SPECIFICATIONS

- Operating temperatures (With FKM seals): -20°C (-4°F) to 200°C (392°F)

APPLICATIONS

- Intense pressure pulse applications
- Demolition
- Hammer circuits
- Shears
- Rock crushers

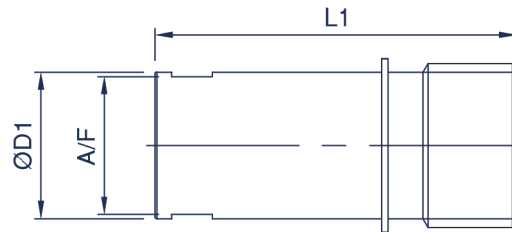
HSC PERFORMANCE CHARACTERISTICS

| Body Size | HSC10 | HSC12 | HSC19 | HSC25 | HSC32 | HSC40 | HSC50 |
|------------------------------------|-------------------------------|---------------|---------------|---------------|---------------|---------------|---------------|
| | Pressure in bar - Flow in LPM | | | | | | |
| | Pressure in PSI - Flow in GPM | | | | | | |
| Maximum working pressure (Coupled) | 500 7250 | 450 6525 | 400 5800 | 350 5075 | 320 4640 | 300 4350 | 250 3625 |
| Burst pressure (Coupled) | 2000 29000 | 1800 26100 | 1600 23200 | 1400 20300 | 1280 18560 | 1200 17400 | 1000 14500 |
| Burst pressure (Male) | 2000 29000 | 1800 26100 | 1600 23200 | 1400 20300 | 1280 18560 | 1200 17400 | 1000 14500 |
| Burst pressure (Female) | 2000 29000 | 1800 26100 | 1600 23200 | 1400 20300 | 1280 18560 | 1200 17400 | 1000 14500 |
| Rated flow | 68 18 | 90 24 | 170 45 | 312 82 | 425 112 | 625 165 | 1080 285 |

CAPS/PLUGS ACCESSORIES

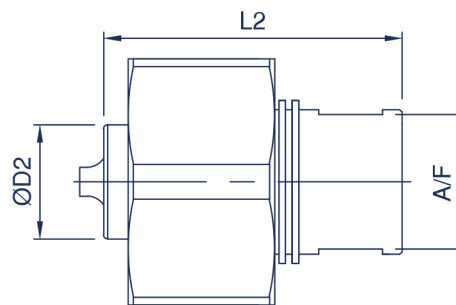
| FEMALE CAPS | MALE PLUGS |
|-------------|--------------|
| HSC10-F-CAP | HSC10-M-PLUG |
| HSC12-F-CAP | HSC12-M-PLUG |
| HSC19-F-CAP | HSC19-M-PLUG |
| HSC25-F-CAP | HSC25-M-PLUG |
| HSC32-F-CAP | HSC32-M-PLUG |
| HSC40-F-CAP | HSC40-M-PLUG |
| HSC50-F-CAP | HSC50-M-PLUG |

Standard material is black nylon



HSC FEMALE COUPLING

| Body Size | Part Number | Thread Size | D1 | | A/F | | L1 | |
|------------|-------------|-------------|------|------|------|------|-------|------|
| | | | mm | inch | mm | inch | mm | inch |
| 10 (3/8) | HSC10-F-06G | 3/8 BSPP | 30.0 | 1.18 | 22.0 | 0.87 | 77.0 | 3.03 |
| 12 (1/2) | HSC12-F-08G | 1/2 BSPP | 35.0 | 1.38 | 26.0 | 1.02 | 95.0 | 3.74 |
| 19 (3/4) | HSC19-F-12G | 3/4 BSPP | 40.0 | 1.57 | 30.0 | 1.18 | 99.5 | 3.92 |
| 25 (1) | HSC25-F-16G | 1 BSPP | 52.0 | 2.05 | 40.0 | 1.57 | 106.0 | 4.17 |
| 32 (1 1/4) | HSC32-F-20G | 1 1/4 BSPP | 60.0 | 2.36 | 48.0 | 1.89 | 118.0 | 4.65 |
| 40 (1 1/2) | HSC40-F-24G | 1 1/2 BSPP | 68.0 | 2.68 | 55.0 | 2.17 | 121.0 | 4.76 |
| 50 (2) | HSC50-F-32G | 2 BSPP | 90.5 | 3.56 | 76.0 | 2.99 | 165.0 | 6.50 |



HSC MALE COUPLING

| Body Size | Part Number | Thread Size | D2 | | L2 | | A/F | |
|------------|-------------|-------------|------|------|-------|------|------|------|
| | | | mm | inch | mm | inch | mm | inch |
| 10 (3/8) | HSC10-M-06G | 3/8 BSPP | 22.0 | 0.87 | 57.0 | 2.24 | 22.0 | 0.87 |
| 12 (1/2) | HSC12-M-08G | 1/2 BSPP | 26.0 | 1.02 | 70.5 | 2.78 | 26.0 | 1.02 |
| 19 (3/4) | HSC19-M-12G | 3/4 BSPP | 28.0 | 1.10 | 73.0 | 2.87 | 30.0 | 1.18 |
| 25 (1) | HSC25-M-16G | 1 BSPP | 38.0 | 1.50 | 81.5 | 3.21 | 40.0 | 1.57 |
| 32 (1 1/4) | HSC32-M-20G | 1 1/4 BSPP | 47.5 | 1.87 | 88.0 | 3.46 | 48.0 | 1.89 |
| 40 (1 1/2) | HSC40-M-24G | 1 1/2 BSPP | 57.0 | 2.24 | 90.0 | 3.54 | 55.0 | 2.17 |
| 50 (2) | HSC50-M-32G | 2 BSPP | 75.0 | 2.95 | 120.0 | 4.72 | 76.0 | 2.99 |

SEAL KITS

HSC10-F-SEAL KIT
HSC12-F-SEAL KIT
HSC19-F-SEAL KIT
HSC25-F-SEAL KIT
HSC32-F-SEAL KIT
HSC40-F-SEAL KIT
HSC50-F-SEAL KIT

REPAIR KITS

HSC10-REPAIR KIT
HSC12-REPAIR KIT
HSC19-REPAIR KIT
HSC25-REPAIR KIT
HSC32-REPAIR KIT
HSC40-REPAIR KIT
HSC50-REPAIR KIT

TOOL SET

HSC10-TOOL SET
HSC12-TOOL SET
HSC19-TOOL SET
HSC25-TOOL SET
HSC32-TOOL SET
HSC40-TOOL SET
HSC50-TOOL SET

SPANNER

HSC10-SPANNER
HSC12-SPANNER
HSC19-SPANNER
HSC25-SPANNER
HSC32-SPANNER
HSC40-SPANNER
HSC50-SPANNER

WELDABLE BRACKETS

HSC10-BRACKET
HSC12-BRACKET
HSC19-BRACKET
HSC25-BRACKET
HSC32-BRACKET
HSC40-BRACKET
HSC50-BRACKET

1 seal kit contains 1 FKM O-ring and 1 PTFE Back up ring to replace female half seals.

1 Repair kit contains 1 FKM O-ring, 1 PTFE Back up ring, 2 poppets, 2 springs and 2 collets enough parts to rebuild 1 complete set. Tool set required.

For all other configurations or thread types please contact the sales office.



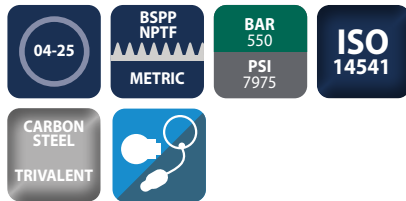
Screw to connect general purpose poppet couplings made to the ISO 14541 Standard

HS Series



INTRODUCTION

Holmbury's HS Series screw to connect couplings are designed primarily for high pressure pulse applications. They can be connected under residual system pressures of up to 50 bar (735psi). The HS Series is a cost effective, proven solution suited to many industries and applications.



CONSTRUCTION

- Carbon steel with trivalent plating
- Fitted with NBR seals
- Also available in AISI 316 stainless steel (See SHS Series)

FEATURES

- Screw to connect design eliminates brinelling
- Modular construction enables numerous thread and connection options
- Can be connected with up to 50 bar (735 psi) residual pressure in the hydraulic circuit
- Bidirectional flow

ACCESSORIES

- Dust caps, plugs and seal kits are available for the HS Series

SPECIFICATIONS

- Operating temperatures (With NBR seals): -40°C (-40°F) to 106°C (223°F)

APPLICATIONS

- Hammer circuits
- High pressure pulse applications
- Construction plant
- Mobile equipment
- Demolition

HS PERFORMANCE CHARACTERISTICS

| Body Size | HS04 | HS08 | HS10 | HS12 | HS20 | HS25 |
|------------------------------------|-------------------------------|---------------|---------------|---------------|---------------|---------------|
| | Pressure in bar - Flow in LPM | | | | | |
| | Pressure in PSI - Flow in GPM | | | | | |
| Maximum working pressure (Coupled) | 450 6525 | 450 6525 | 400 5800 | 400 5800 | 300 4350 | 300 4350 |
| Burst pressure (Coupled) | 1800 26100 | 1600 23200 | 1400 20300 | 1500 21750 | 1180 17110 | 1800 26100 |
| Burst pressure (Male) | 1400 20300 | 1550 22475 | 1200 17400 | 1200 17400 | 1100 15950 | 1200 17400 |
| Burst pressure (Female) | 1400 20300 | 1750 25375 | 1200 17400 | 1600 23200 | 1500 21750 | 1600 23200 |
| Rated flow | 12 3.2 | 23 6.1 | 45 12 | 106 26.4 | 189 49.9 | 288 76 |

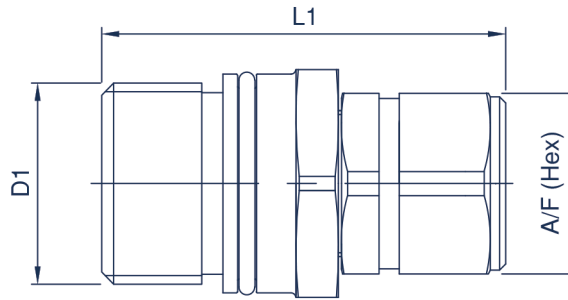
CAPS/PLUGS ACCESSORIES

| FEMALE PLUGS | MALE CAPS |
|--------------|------------|
| HS04-F-PLUG | HS04-M-CAP |
| HS08-F-PLUG | HS08-M-CAP |
| HS10-F-PLUG | HS10-M-CAP |
| HS12-F-PLUG | HS12-M-CAP |
| HS20-F-PLUG | HS20-M-CAP |
| HS25-F-PLUG | HS25-M-CAP |

Standard material is natural, anodized aluminium

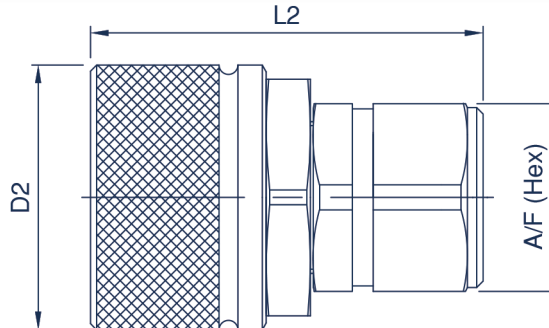
SEAL KITS

| |
|-----------------|
| HS04-F-SEAL KIT |
| HS08-F-SEAL KIT |
| HS10-F-SEAL KIT |
| HS12-F-SEAL KIT |
| HS20-F-SEAL KIT |
| HS25-F-SEAL KIT |



HS FEMALE COUPLING

| ISO Standard | Body Size | Part Number | Thread Size | D1 | | L1 | | A/F | |
|--------------|-----------|-------------|-------------|----------|-------|------|------|------|----|
| | | | | (Thread) | mm | inch | mm | inch | mm |
| 6.3 | 04 (1/8) | HS04-F-04G | 1/4 BSPP | M24X2 | 60.0 | 2.36 | 19.0 | 0.75 | |
| | | HS04-F-04N | 1/4 NPTF | M24X2 | 60.0 | 2.36 | 19.0 | 0.75 | |
| 10 | 08 (5/16) | HS08-F-04G | 1/4 BSPP | M28X2 | 64.0 | 2.52 | 22.0 | 0.87 | |
| | | HS08-F-06G | 3/8 BSPP | M28X2 | 64.0 | 2.52 | 22.0 | 0.87 | |
| | | HS08-F-06N | 3/8 NPTF | M28X2 | 64.0 | 2.52 | 22.0 | 0.87 | |
| 12.5 | 10 (3/8) | HS10-F-06G | 3/8 BSPP | M36X2 | 67.0 | 2.64 | 30.0 | 1.18 | |
| | | HS10-F-08G | 1/2 BSPP | M36X2 | 67.0 | 2.64 | 30.0 | 1.18 | |
| | | HS10-F-08N | 1/2 NPTF | M36X2 | 67.0 | 2.64 | 30.0 | 1.18 | |
| 20 | 12 (1/2) | HS12-F-08G | 1/2 BSPP | M42X2 | 86.0 | 3.39 | 36.0 | 1.42 | |
| | | HS12-F-12G | 3/4 BSPP | M42X2 | 86.0 | 3.39 | 36.0 | 1.42 | |
| | | HS12-F-12N | 3/4 NPTF | M42X2 | 86.0 | 3.39 | 36.0 | 1.42 | |
| N/A | 20 (3/4) | HS20-F-12G | 3/4 BSPP | M48X3 | 98.0 | 3.86 | 41.0 | 1.61 | |
| | | HS20-F-16G | 1 BSPP | M48X3 | 98.0 | 3.86 | 41.0 | 1.61 | |
| | | HS20-F-16N | 1 NPTF | M48X3 | 98.0 | 3.86 | 41.0 | 1.61 | |
| N/A | 25 (1) | HS25-F-20G | 1 1/4 BSPP | M70X3 | 125.0 | 4.92 | 55.0 | 2.17 | |
| | | HS25-F-24G | 1 1/2 BSPP | M70X3 | 127.0 | 5.00 | 55.0 | 2.17 | |



HS MALE COUPLING

| ISO Standard | Body Size | Part Number | Thread Size | D2 | | L2 | | A/F | |
|--------------|-----------|-------------|-------------|------|------|-------|------|------|------|
| | | | | mm | inch | mm | inch | mm | inch |
| 6.3 | 04 (1/8) | HS04-M-04G | 1/4 BSPP | 35.0 | 1.38 | 59.0 | 2.32 | 19.0 | 0.75 |
| | | HS04-M-04N | 1/4 NPTF | 35.0 | 1.38 | 59.0 | 2.32 | 19.0 | 0.75 |
| 10 | 08 (5/16) | HS08-M-04G | 1/4 BSPP | 34.0 | 1.34 | 61.0 | 2.40 | 22.0 | 0.87 |
| | | HS08-M-06G | 3/8 BSPP | 34.0 | 1.34 | 61.0 | 2.40 | 22.0 | 0.87 |
| | | HS08-M-06N | 3/8 NPTF | 34.0 | 1.34 | 61.0 | 2.40 | 22.0 | 0.87 |
| 12.5 | 10 (3/8) | HS10-M-06G | 3/8 BSPP | 42.1 | 1.66 | 64.0 | 2.52 | 30.0 | 1.18 |
| | | HS10-M-08G | 1/2 BSPP | 42.1 | 1.66 | 64.0 | 2.52 | 30.0 | 1.18 |
| | | HS10-M-08N | 1/2 NPTF | 42.1 | 1.66 | 64.0 | 2.52 | 30.0 | 1.18 |
| 20 | 12 (1/2) | HS12-M-08G | 1/2 BSPP | 48.5 | 1.91 | 75.0 | 2.95 | 36.0 | 1.42 |
| | | HS12-M-12G | 3/4 BSPP | 48.5 | 1.91 | 75.0 | 2.95 | 36.0 | 1.42 |
| | | HS12-M-12N | 3/4 NPTF | 48.5 | 1.91 | 75.0 | 2.95 | 36.0 | 1.42 |
| N/A | 20 (3/4) | HS20-M-12G | 3/4 BSPP | 55.0 | 2.17 | 81.0 | 3.19 | 41.0 | 1.61 |
| | | HS20-M-16G | 1 BSPP | 55.0 | 2.17 | 81.0 | 3.19 | 41.0 | 1.61 |
| | | HS20-M-16N | 1 NPTF | 55.0 | 2.17 | 81.0 | 3.19 | 41.0 | 1.61 |
| N/A | 25 (1) | HS25-M-20G | 1 1/4 BSPP | 85.0 | 3.35 | 131.0 | 5.16 | 55.0 | 2.17 |
| | | HS25-M-24G | 1 1/2 BSPP | 85.0 | 3.35 | 134.0 | 5.28 | 55.0 | 2.17 |

For all other configurations or thread types please contact the sales office.



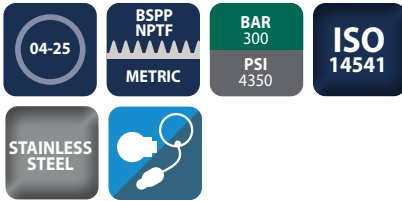
Screw to connect stainless steel general purpose couplings made to the ISO 14541 Standard dimensions

SHS Series



INTRODUCTION

Holmbury's SHS Series stainless steel screw to connect couplings are designed primarily for high pressure pulse applications. They incorporate all the benefits of the carbon steel HS Series, whilst being perfectly suited for corrosive fluids and environments.



CONSTRUCTION

- AISI 316 stainless steel (All components)
- Fitted with FKM seals (Other seals available on request)
- Also available in carbon steel (See HS Series)

FEATURES

- Can be connected with 50 bar (735 psi) residual pressure in the hydraulic circuit
- Bidirectional flow

ACCESSORIES

- Dust caps, plugs and seal kits are available for the SHS Series

SPECIFICATIONS

- Operating temperatures (With FKM seals): -20°C (-4°F) to 200°C (392°F)

APPLICATIONS

- Hydraulic jacks
- Marine
- Offshore/onshore

SHS PERFORMANCE CHARACTERISTICS

| Body Size | SHS04 | SHS08 | SHS10 | SHS12 | SHS20 | SHS25 |
|------------------------------------|-------------------------------|---------------|---------------|---------------|---------------|---------------|
| | Pressure in bar - Flow in LPM | | | | | |
| | Pressure in PSI - Flow in GPM | | | | | |
| Maximum working pressure (Coupled) | 450 6525 | 450 6525 | 400 5800 | 400 5800 | 300 4350 | 300 4350 |
| Burst pressure (Coupled) | 1800 26100 | 1600 23200 | 1400 20300 | 1500 21750 | 1180 17110 | 1800 26100 |
| Burst pressure (Male) | 1400 20300 | 1550 22475 | 1200 17400 | 1200 17400 | 1100 15950 | 1200 17400 |
| Burst pressure (Female) | 1400 20300 | 1750 25375 | 1200 17400 | 1600 23200 | 1500 21750 | 1600 23200 |
| Rated flow | 12 3.2 | 23 6.1 | 45 12 | 106 26.4 | 189 49.9 | 288 76 |

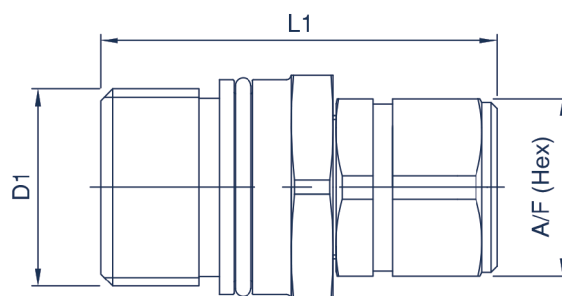
CAPS/PLUGS ACCESSORIES

| FEMALE PLUGS | MALE CAPS |
|--------------|-------------|
| SHS04-F-PLUG | SHS04-M-CAP |
| SHS08-F-PLUG | SHS08-M-CAP |
| SHS10-F-PLUG | SHS10-M-CAP |
| SHS12-F-PLUG | SHS12-M-CAP |
| SHS20-F-PLUG | SHS20-M-CAP |
| SHS25-F-PLUG | SHS25-M-CAP |

Standard material is natural, anodized aluminium

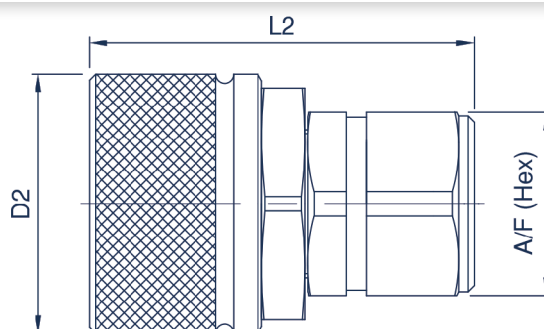
SEAL KITS

| |
|------------------|
| SHS04-F-SEAL KIT |
| SHS08-F-SEAL KIT |
| SHS10-F-SEAL KIT |
| SHS12-F-SEAL KIT |
| SHS20-F-SEAL KIT |
| SHS25-F-SEAL KIT |



SHS FEMALE COUPLING

| ISO Standard | Body Size | Part Number | Thread Size | D1 | | L1 | | A/F | |
|--------------|-----------|-------------|-------------|----------|-------|------|------|------|--|
| | | | | (Thread) | mm | inch | mm | inch | |
| 6.3 | 04 (1/8) | SHS04-F-04G | 1/4 BSPP | M24X2 | 60.0 | 2.36 | 19.0 | 0.75 | |
| | | SHS04-F-04N | 1/4 NPTF | M24X2 | 60.0 | 2.36 | 19.0 | 0.75 | |
| 10 | 08 (5/16) | SHS08-F-04G | 1/4 BSPP | M28X2 | 64.0 | 2.52 | 22.0 | 0.87 | |
| | | SHS08-F-06G | 3/8 BSPP | M28X2 | 64.0 | 2.52 | 22.0 | 0.87 | |
| | | SHS08-F-06N | 3/8 NPTF | M28X2 | 64.0 | 2.52 | 22.0 | 0.87 | |
| 12.5 | 10 (3/8) | SHS10-F-06G | 3/8 BSPP | M36X2 | 67.0 | 2.64 | 30.0 | 1.18 | |
| | | SHS10-F-08G | 1/2 BSPP | M36X2 | 67.0 | 2.64 | 30.0 | 1.18 | |
| | | SHS10-F-08N | 1/2 NPTF | M36X2 | 67.0 | 2.64 | 30.0 | 1.18 | |
| 20 | 12 (1/2) | SHS12-F-08G | 1/2 BSPP | M42X2 | 86.0 | 3.39 | 36.0 | 1.42 | |
| | | SHS12-F-12G | 3/4 BSPP | M42X2 | 86.0 | 3.39 | 36.0 | 1.42 | |
| | | SHS12-F-12N | 3/4 NPTF | M42X2 | 86.0 | 3.39 | 36.0 | 1.42 | |
| N/A | 20 (3/4) | SHS20-F-12G | 3/4 BSPP | M48X3 | 98.0 | 3.86 | 41.0 | 1.61 | |
| | | SHS20-F-16G | 1 BSPP | M48X3 | 98.0 | 3.86 | 41.0 | 1.61 | |
| | | SHS20-F-16N | 1 NPTF | M48X3 | 98.0 | 3.86 | 41.0 | 1.61 | |
| N/A | 25 (1) | SHS25-F-20G | 1 1/4 BSPP | M70X3 | 125.0 | 4.92 | 55.0 | 2.17 | |
| | | SHS25-F-24G | 1 1/2 BSPP | M70X3 | 127.0 | 5.00 | 55.0 | 2.17 | |



SHS MALE COUPLING

| ISO Standard | Body Size | Part Number | Thread Size | D2 | | L2 | | A/F | |
|--------------|-----------|-------------|-------------|------|------|-------|------|------|------|
| | | | | mm | inch | mm | inch | mm | inch |
| 6.3 | 04 (1/8) | SHS04-M-04G | 1/4 BSPP | 35.0 | 1.38 | 59.0 | 2.32 | 19.0 | 0.75 |
| | | SHS04-M-04N | 1/4 NPTF | 35.0 | 1.38 | 59.0 | 2.32 | 19.0 | 0.75 |
| 10 | 08 (5/16) | SHS08-M-04G | 1/4 BSPP | 34.0 | 1.34 | 61.0 | 2.40 | 22.0 | 0.87 |
| | | SHS08-M-06G | 3/8 BSPP | 34.0 | 1.34 | 61.0 | 2.40 | 22.0 | 0.87 |
| | | SHS08-M-06N | 3/8 NPTF | 34.0 | 1.34 | 61.0 | 2.40 | 22.0 | 0.87 |
| 12.5 | 10 (3/8) | SHS10-M-06G | 3/8 BSPP | 42.1 | 1.66 | 64.0 | 2.52 | 30.0 | 1.18 |
| | | SHS10-M-08G | 1/2 BSPP | 42.1 | 1.66 | 64.0 | 2.52 | 30.0 | 1.18 |
| | | SHS10-M-08N | 1/2 NPTF | 42.1 | 1.66 | 64.0 | 2.52 | 30.0 | 1.18 |
| 20 | 12 (1/2) | SHS12-M-08G | 1/2 BSPP | 48.5 | 1.91 | 75.0 | 2.95 | 36.0 | 1.42 |
| | | SHS12-M-12G | 3/4 BSPP | 48.5 | 1.91 | 75.0 | 2.95 | 36.0 | 1.42 |
| | | SHS12-M-12N | 3/4 NPTF | 48.5 | 1.91 | 75.0 | 2.95 | 36.0 | 1.42 |
| N/A | 20 (3/4) | SHS20-M-12G | 3/4 BSPP | 55.0 | 2.17 | 81.0 | 3.19 | 41.0 | 1.61 |
| | | SHS20-M-16G | 1 BSPP | 55.0 | 2.17 | 81.0 | 3.19 | 41.0 | 1.61 |
| | | SHS20-M-16N | 1 NPTF | 55.0 | 2.17 | 81.0 | 3.19 | 41.0 | 1.61 |
| N/A | 25 (1) | SHS25-M-20G | 1 1/4 BSPP | 85.0 | 3.35 | 131.0 | 5.16 | 55.0 | 2.17 |
| | | SHS25-M-24G | 1 1/2 BSPP | 85.0 | 3.35 | 134.0 | 5.28 | 55.0 | 2.17 |

For all other configurations or thread types please contact the sales office.



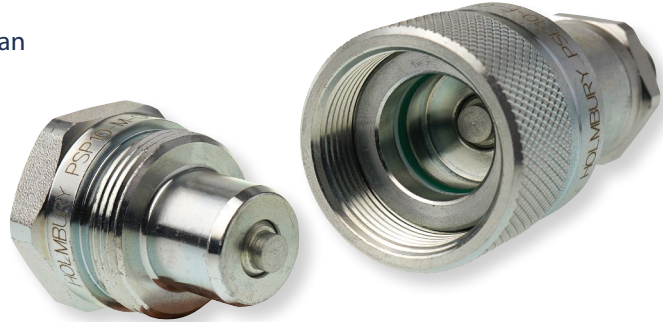
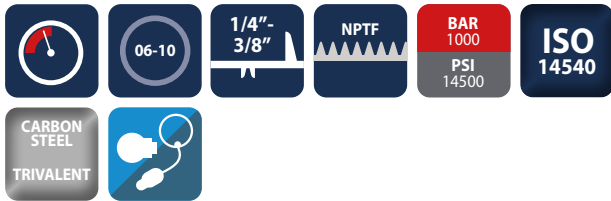
Screw to connect high pressure poppet and ball couplings made to the ISO 14540 Standard

PSP, PSB Series



INTRODUCTION

Holmbury's PSP Series screw to connect couplings are designed primarily for high pressure applications. They can be connected under low residual system pressures. The couplings are available with ball or poppet style valves.



CONSTRUCTION

- Carbon steel with trivalent plating
- Fitted with Polyurethane and NBR seals

FEATURES

- Screw to connect design eliminates brinelling
- PSP offers poppet style valve
- PSB offers ball style valve
- Can be connected with low residual pressure in the hydraulic circuit
- Bidirectional flow

ACCESSORIES

- Dust caps, plugs, plastic couplings and seal kits are available for the PSP and PSB Series

SPECIFICATIONS

- Operating temperatures (With NBR and Polyurethane seals): -30°C (-22°F) to 106°C (223°F)

APPLICATIONS

- High pressure applications (Up to 720 bar (10440 psi) for PSB and 1000 bar (14500 psi) for PSP)
- General industrial, construction plant, mobile equipment, demolition and agricultural industries
- Hydraulic jacks
- Torque wrenches

PSP, PSB PERFORMANCE CHARACTERISTICS

| Body Size | PSB06 | PSB10 | PSP06 | PSP10 |
|------------------------------------|-------------------------------|---------------|---------------|---------------|
| | Pressure in bar - Flow in LPM | | | |
| | Pressure in PSI - Flow in GPM | | | |
| Maximum working pressure (Coupled) | 720 10440 | 720 10440 | 1000 14500 | 1000 14500 |
| Burst pressure (Coupled) | 2160 31320 | 2160 31320 | 2160 31320 | 2160 31320 |
| Burst pressure (Male) | 1440 20880 | 1440 20880 | 2160 31320 | 2160 31320 |
| Burst pressure (Female) | 1400 20300 | 1400 20300 | 2100 30450 | 2100 30450 |
| Rated flow | 3 0.8 | 23 6.1 | 3 0.8 | 23 6.1 |

CAPS/PLUGS ACCESSORIES

| FEMALE PLUGS | MALE CAPS |
|--------------|------------|
| PS06-F-PLUG | PS06-M-CAP |
| PS10-F-PLUG | PS10-M-CAP |

Standard material is steel

DUAL CAP/PLUG

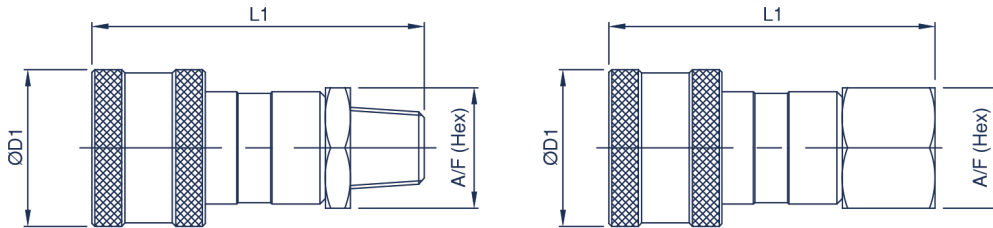
| |
|---------------|
| PS06-CAP/PLUG |
| PS10-CAP/PLUG |

Available in red or black, material is PVC

SEAL KITS

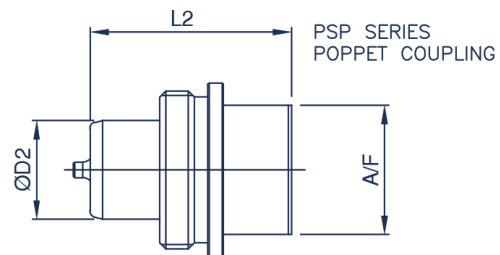
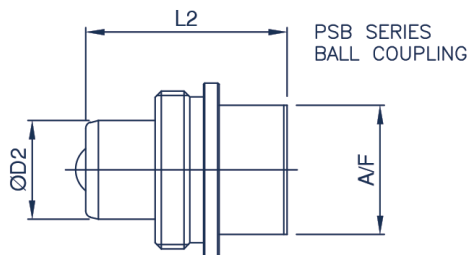
| |
|-----------------|
| PS06-F-SEAL KIT |
| PS10-F-SEAL KIT |

PSP, PSB Series



PSP, PSB FEMALE COUPLING

| Body Size | Part Number | Thread Size | D1 | | L1 | | A/F | |
|-----------|--------------|-------------|------|------|------|------|------|------|
| | | | mm | inch | mm | inch | mm | inch |
| 06 (1/4) | PSB06-F-04N | 1/4 NPTF | 28.6 | 1.13 | 59.7 | 2.35 | 22.0 | 0.87 |
| | PSB06-F-04NM | 1/4 NPTF | 28.6 | 1.13 | 60.8 | 2.39 | 22.0 | 0.87 |
| | PSP06-F-04N | 1/4 NPTF | 28.6 | 1.13 | 58.6 | 2.31 | 22.0 | 0.87 |
| | PSP06-F-04NM | 1/4 NPTF | 28.6 | 1.13 | 59.7 | 2.35 | 22.0 | 0.87 |
| 10 (3/8) | PSB10-F-06N | 3/8 NPTF | 35.0 | 1.38 | 73.5 | 2.89 | 25.0 | 0.98 |
| | PSB10-F-06NM | 3/8 NPTF | 35.0 | 1.38 | 73.5 | 2.89 | 25.0 | 0.98 |
| | PSP10-F-06N | 3/8 NPTF | 35.0 | 1.38 | 73.5 | 2.89 | 25.0 | 0.98 |
| | PSP10-F-06NM | 3/8 NPTF | 35.0 | 1.38 | 73.5 | 2.89 | 25.0 | 0.98 |



PSP, PSB MALE COUPLING

| Body Size | Part Number | Thread Size | D2 | | L2 | | A/F | |
|-----------|-------------|-------------|------|------|------|------|------|------|
| | | | mm | inch | mm | inch | mm | inch |
| 06 (1/4) | PSB06-M-04N | 1/4 NPTF | 15.8 | 0.62 | 32.5 | 1.28 | 19.0 | 0.75 |
| | PSP06-M-04N | 1/4 NPTF | 15.8 | 0.62 | 32.5 | 1.28 | 19.0 | 0.75 |
| 10 (3/8) | PSB10-M-06N | 3/8 NPTF | 19.0 | 0.75 | 35.0 | 1.38 | 32.0 | 1.26 |
| | PSP10-M-06N | 3/8 NPTF | 19.0 | 0.75 | 35.0 | 1.38 | 32.0 | 1.26 |

For all other configurations or thread types please contact the sales office.



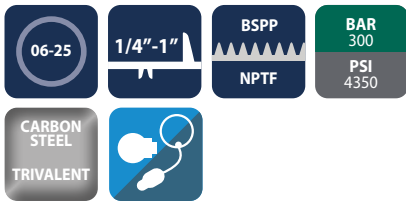
Screw to connect and pull break couplings

PLC Series



INTRODUCTION

Holmbury's PLC Series screw to connect couplings allow for connection under pressure and are ideal choice for agricultural applications with high pressure pulses.



CONSTRUCTION

- Carbon steel with trivalent plating
- Fitted with NBR seals

FEATURES

- Screw connection only possible with both halves of PLC Series
- Interchangeable with ISO A Series male (Size 1/2" ISO A only)
- Screw to connect design eliminates brinelling
- Can be connected with residual pressure in the system
- Bidirectional flow

ACCESSORIES

- Dust caps, plugs and seal kits are available for the PLC Series

SPECIFICATIONS

- Operating temperatures (with NBR seals): -40°C (-40°F) to 106°C (223°F)

APPLICATIONS

- Agricultural applications
- General industrial
- Snow ploughs

PLC PERFORMANCE CHARACTERISTICS

| Body Size | PLC06 | PLC10 | PLC12 | PLC19 | PLC25 |
|------------------------------------|-------------------------------|---------------|---------------|---------------|---------------|
| | Pressure in bar - Flow in LPM | | | | |
| | Pressure in PSI - Flow in GPM | | | | |
| Maximum working pressure (Coupled) | 300 4350 | 300 4350 | 300 4350 | 280 4060 | 250 3625 |
| Burst pressure (Coupled) | 1600 23200 | 1600 23200 | 1600 23200 | 1300 18850 | 1200 17400 |
| Burst pressure (Male) | 1600 23200 | 1600 23200 | 1550 22475 | 1300 18850 | 1200 17400 |
| Burst pressure (Female) | 1550 22475 | 1550 22475 | 1500 21750 | 1300 18850 | 1100 15950 |
| Rated flow | 3 0.8 | 23 6.1 | 45 12 | 106 28 | 189 50 |

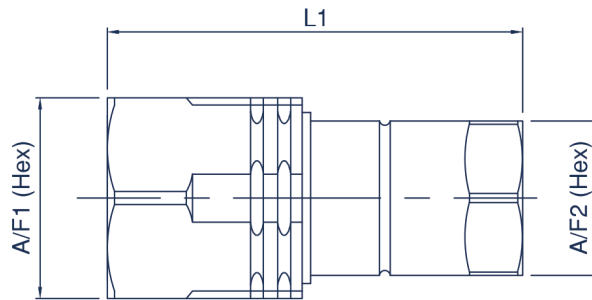
CAPS/PLUGS ACCESSORIES

| FEMALE PLUGS | MALE CAPS |
|--------------|-------------|
| PLC06-F-PLUG | PLC06-M-CAP |
| PLC10-F-PLUG | PLC10-M-CAP |
| PLC12-F-PLUG | PLC12-M-CAP |
| PLC19-F-PLUG | PLC19-M-CAP |
| PLC25-F-PLUG | PLC25-M-CAP |

Standard material is aluminium

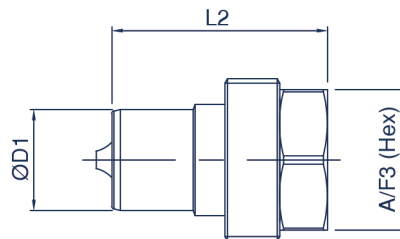
SEAL KITS

| |
|------------------|
| PLC06-F-SEAL KIT |
| PLC10-F-SEAL KIT |
| PLC12-F-SEAL KIT |
| PLC19-F-SEAL KIT |
| PLC25-F-SEAL KIT |



PLC FEMALE COUPLING

| Body Size | Part Number | Thread Size | A/F1 | | L1 | | A/F2 | |
|-----------|-------------|--------------|------|------|-------|------|------|------|
| | | | mm | inch | mm | inch | mm | inch |
| 06 (1/4) | PLC06-F-04G | 1/4 BSPP | 27.0 | 1.06 | 66.0 | 2.60 | 19.0 | 0.75 |
| | PLC06-F-04N | 1/4 NPTF | 27.0 | 1.06 | 66.0 | 2.60 | 19.0 | 0.75 |
| | PLC06-F-06S | 9/16-18 UNF | 27.0 | 1.06 | 66.0 | 2.60 | 19.0 | 0.75 |
| 10 (3/8) | PLC10-F-06G | 3/8 BSPP | 34.0 | 1.34 | 76.0 | 2.99 | 24.0 | 0.94 |
| | PLC10-F-06N | 3/8 NPTF | 34.0 | 1.34 | 76.0 | 2.99 | 24.0 | 0.94 |
| | PLC10-F-06S | 9/16-18 UNF | 34.0 | 1.34 | 76.0 | 2.99 | 24.0 | 0.94 |
| 12 (1/2) | PLC12-F-08G | 1/2 BSPP | 38.0 | 1.50 | 82.0 | 3.23 | 27.0 | 1.06 |
| | PLC12-F-08N | 1/2 NPTF | 38.0 | 1.50 | 82.0 | 3.23 | 27.0 | 1.06 |
| | PLC12-F-08S | 3/4-16 UNF | 38.0 | 1.50 | 82.0 | 3.23 | 27.0 | 1.06 |
| 19 (3/4) | PLC19-F-12G | 3/4 BSPP | 50.0 | 1.97 | 105.0 | 4.13 | 34.0 | 1.34 |
| | PLC19-F-12N | 3/4 NPTF | 50.0 | 1.97 | 105.0 | 4.13 | 34.0 | 1.34 |
| | PLC19-F-12S | 1 1/16-12 UN | 50.0 | 1.97 | 105.0 | 4.13 | 34.0 | 1.34 |
| 25 (1) | PLC25-F-16G | 1 BSPP | 55.0 | 2.17 | 125.0 | 4.92 | 41.0 | 1.61 |
| | PLC25-F-16N | 1 NPTF | 55.0 | 2.17 | 125.0 | 4.92 | 41.0 | 1.61 |
| | PLC25-F-16S | 1 5/16-12 UN | 55.0 | 2.17 | 125.0 | 4.92 | 41.0 | 1.61 |



PLC MALE COUPLING

| Body Size | Part Number | Thread Size | D1 | | L2 | | A/F3 | |
|-----------|-------------|--------------|------|------|------|------|------|------|
| | | | mm | inch | mm | inch | mm | inch |
| 06 (1/4) | PLC06-M-04G | 1/4 BSPP | 14.2 | 0.56 | 33.0 | 1.30 | 19.0 | 0.75 |
| | PLC06-M-04N | 1/4 NPTF | 14.2 | 0.56 | 33.0 | 1.30 | 19.0 | 0.75 |
| | PLC06-M-06S | 9/16-18 UNF | 14.2 | 0.56 | 33.0 | 1.30 | 19.0 | 0.75 |
| 10 (3/8) | PLC10-M-06G | 3/8 BSPP | 19.0 | 0.75 | 40.5 | 1.59 | 24.0 | 0.94 |
| | PLC10-M-06N | 3/8 NPTF | 19.0 | 0.75 | 40.5 | 1.59 | 24.0 | 0.94 |
| | PLC10-M-06S | 9/16-18 UNF | 19.0 | 0.75 | 40.5 | 1.59 | 24.0 | 0.94 |
| 12 (1/2) | PLC12-M-08G | 1/2 BSPP | 20.5 | 0.81 | 49.0 | 1.93 | 27.0 | 1.06 |
| | PLC12-M-08N | 1/2 NPTF | 20.5 | 0.81 | 49.0 | 1.93 | 27.0 | 1.06 |
| | PLC12-M-08S | 3/4-16 UNF | 20.5 | 0.81 | 49.0 | 1.93 | 27.0 | 1.06 |
| 19 (3/4) | PLC19-M-12G | 3/4 BSPP | 28.0 | 1.10 | 62.0 | 2.44 | 34.0 | 1.34 |
| | PLC19-M-12N | 3/4 NPTF | 28.0 | 1.10 | 62.0 | 2.44 | 34.0 | 1.34 |
| | PLC19-M-12S | 1 1/16-12 UN | 28.0 | 1.10 | 62.0 | 2.44 | 34.0 | 1.34 |
| 25 (1) | PLC25-M-16G | 1 BSPP | 31.3 | 1.23 | 73.0 | 2.87 | 41.0 | 1.61 |
| | PLC25-M-16N | 1 NPTF | 31.3 | 1.23 | 73.0 | 2.87 | 41.0 | 1.61 |
| | PLC25-M-16S | 1 5/16-12 UN | 31.3 | 1.23 | 73.0 | 2.87 | 41.0 | 1.61 |

For all other configurations or thread types please contact the sales office.



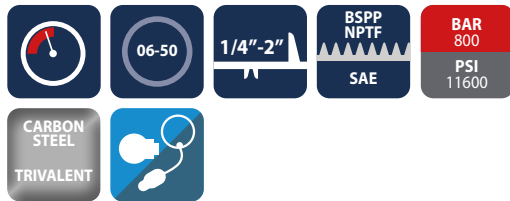
Screw to connect high pressure heavy duty couplings

PTC Series



INTRODUCTION

Holmbury's PTC Series screw to connect couplings are designed for heavy duty applications involving very high pressures and severe pressure pulse conditions.



CONSTRUCTION

- Carbon steel with trivalent plating
- Fitted with NBR seals
- Also available in AISI 316 stainless steel (See PTS Series)

FEATURES

- Screw to connect design eliminates brinelling
- Can be connected with up to 50 bar (735 psi) residual pressure in the hydraulic circuit
- Bidirectional flow

ACCESSORIES

- Dust caps, plugs and seal kits are available for the PTC Series

SPECIFICATIONS

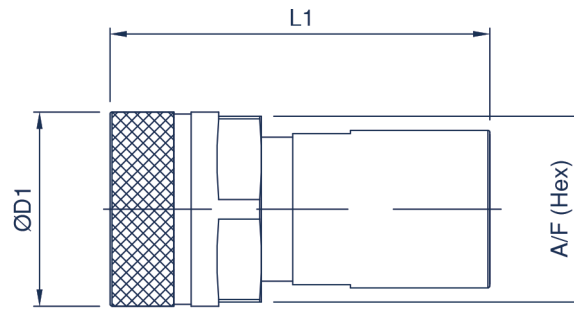
- Operating temperatures (With NBR seals): -40°C (-40°F) to 106°C (223°F)

APPLICATIONS

- Hydraulic jacks
- Hydraulic hammers
- Construction plant
- Mobile equipment
- Demolition
- Agricultural industries

PTC PERFORMANCE CHARACTERISTICS

| Body Size | PTC06 | PTC10 | PTC12 | PTC19 | PTC25 | PTC32 | PTC40 | PTC50 |
|------------------------------------|-------------------------------|---------------|---------------|---------------|---------------|---------------|---------------|---------------|
| | Pressure in bar - Flow in LPM | | | | | | | |
| | Pressure in PSI - Flow in GPM | | | | | | | |
| Maximum working pressure (Coupled) | 800 11600 | 750 10875 | 750 10875 | 700 10150 | 550 7975 | 550 7975 | 400 5800 | 350 5075 |
| Burst pressure (Coupled) | 2500 36250 | 2350 34075 | 2180 31610 | 2140 31030 | 1960 28420 | 2000 29000 | 1480 21460 | 1020 14790 |
| Burst pressure (Male) | 2400 34800 | 2850 41325 | 2400 34800 | 2120 30740 | 1580 22910 | 1780 25910 | 1180 17110 | 1300 18850 |
| Burst pressure (Female) | 2400 34800 | 2450 35525 | 2180 31610 | 2300 33350 | 2220 32190 | 1780 25810 | 1290 18705 | 1300 18850 |
| Rated flow | 3 0.8 | 23 6.1 | 45 12 | 106 28 | 189 50 | 288 76 | 379 100 | 757 200 |



PTC FEMALE COUPLING

| Body Size | Part Number | Thread Size | D1 | | L1 | | A/F | |
|------------|-------------|--------------|-------|------|-------|------|-------|------|
| | | | mm | inch | mm | inch | mm | inch |
| 06 (1/4) | PTC06-F-04G | 1/4 BSPP | 30.0 | 1.18 | 61.5 | 2.42 | 27.0 | 1.06 |
| | PTC06-F-04N | 1/4 NPTF | 30.0 | 1.18 | 61.5 | 2.42 | 27.0 | 1.06 |
| | PTC06-F-06S | 9/16-18 UNF | 30.0 | 1.18 | 61.5 | 2.42 | 27.0 | 1.06 |
| 10 (3/8) | PTC10-F-06G | 3/8 BSPP | 39.0 | 1.54 | 69.0 | 2.72 | 36.0 | 1.42 |
| | PTC10-F-06N | 3/8 NPTF | 39.0 | 1.54 | 69.0 | 2.72 | 36.0 | 1.42 |
| | PTC10-F-06S | 9/16-18 UNF | 39.0 | 1.54 | 69.0 | 2.72 | 36.0 | 1.42 |
| 12 (1/2) | PTC12-F-08G | 1/2 BSPP | 44.0 | 1.73 | 79.0 | 3.11 | 41.0 | 1.61 |
| | PTC12-F-08N | 1/2 NPTF | 44.0 | 1.73 | 79.0 | 3.11 | 41.0 | 1.61 |
| | PTC12-F-08S | 3/4-16 UNF | 44.0 | 1.73 | 79.0 | 3.11 | 41.0 | 1.61 |
| 19 (3/4) | PTC19-F-12G | 3/4 BSPP | 54.0 | 2.13 | 97.5 | 3.84 | 50.0 | 1.97 |
| | PTC19-F-12N | 3/4 NPTF | 54.0 | 2.13 | 97.5 | 3.84 | 50.0 | 1.97 |
| | PTC19-F-12S | 1 1/16-12 UN | 54.0 | 2.13 | 97.5 | 3.84 | 50.0 | 1.97 |
| 25 (1) | PTC25-F-16G | 1 BSPP | 59.0 | 2.32 | 112.5 | 4.43 | 54.5 | 2.15 |
| | PTC25-F-16N | 1 NPTF | 59.0 | 2.32 | 112.5 | 4.43 | 54.5 | 2.15 |
| | PTC25-F-16S | 1 5/16-12 UN | 59.0 | 2.32 | 112.5 | 4.43 | 54.5 | 2.15 |
| 32 (1 1/4) | PTC32-F-20G | 1 1/4 BSPP | 80.0 | 3.15 | 139.5 | 5.49 | 74.5 | 2.93 |
| | PTC32-F-20N | 1 1/4 NPTF | 80.0 | 3.15 | 139.5 | 5.49 | 74.5 | 2.93 |
| | PTC32-F-20S | 1 5/8-12 UN | 80.0 | 3.15 | 139.5 | 5.49 | 74.5 | 2.93 |
| 40 (1 1/2) | PTC40-F-24G | 1 1/2 BSPP | 98.0 | 3.86 | 172.0 | 6.77 | 90.0 | 3.54 |
| | PTC40-F-24N | 1 1/2 NPTF | 98.0 | 3.86 | 172.0 | 6.77 | 90.0 | 3.54 |
| | PTC40-F-24S | 1 7/8-12 UN | 98.0 | 3.86 | 172.0 | 6.77 | 90.0 | 3.54 |
| 50 (2) | PTC50-F-32G | 2 BSPP | 127.5 | 5.02 | 160.0 | 6.30 | 123.0 | 4.84 |
| | PTC50-F-32N | 2 NPTF | 127.5 | 5.02 | 160.0 | 6.30 | 123.0 | 4.84 |
| | PTC50-F-32S | 2 1/2-12 UN | 127.5 | 5.02 | 160.0 | 6.30 | 123.0 | 4.84 |

For all other configurations or thread types please contact the sales office.

CAPS/PLUGS ACCESSORIES

| FEMALE PLUGS | MALE CAPS |
|--------------|-------------|
| PTC06-F-PLUG | PTC06-M-CAP |
| PTC10-F-PLUG | PTC10-M-CAP |
| PTC12-F-PLUG | PTC12-M-CAP |
| PTC19-F-PLUG | PTC19-M-CAP |
| PTC25-F-PLUG | PTC25-M-CAP |

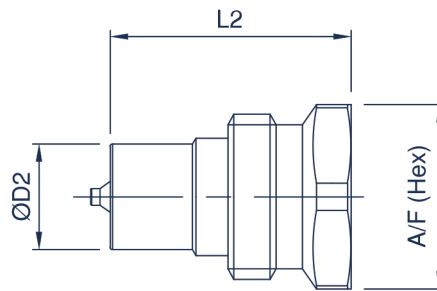
Standard material is aluminium

SEAL KITS

- PTC06-F-SEAL KIT
- PTC10-F-SEAL KIT
- PTC12-F-SEAL KIT
- PTC19-F-SEAL KIT
- PTC25-F-SEAL KIT
- PTC32-F-SEAL KIT
- PTC40-F-SEAL KIT
- PTC50-F-SEAL KIT



Screw to connect high pressure heavy duty couplings



PTC MALE COUPLING

| Body Size | Part Number | Thread Size | D2 | | L2 | | A/F | |
|------------|-------------|--------------|------|------|-------|------|-------|------|
| | | | mm | inch | mm | inch | mm | inch |
| 06 (1/4) | PTC06-M-04G | 1/4 BSPP | 14.2 | 0.56 | 43.0 | 1.69 | 25.0 | 0.98 |
| | PTC06-M-04N | 1/4 NPTF | 14.2 | 0.56 | 43.0 | 1.69 | 25.0 | 0.98 |
| | PTC06-M-06S | 9/16-18 UNF | 14.2 | 0.56 | 43.0 | 1.69 | 25.0 | 0.98 |
| 10 (3/8) | PTC10-M-06G | 3/8 BSPP | 19.0 | 0.75 | 48.5 | 1.91 | 32.0 | 1.26 |
| | PTC10-M-06N | 3/8 NPTF | 19.0 | 0.75 | 48.5 | 1.91 | 32.0 | 1.26 |
| | PTC10-M-06S | 9/16-18 UNF | 19.0 | 0.75 | 48.5 | 1.91 | 32.0 | 1.26 |
| 12 (1/2) | PTC12-M-08G | 1/2 BSPP | 20.5 | 0.81 | 53.0 | 2.09 | 34.0 | 1.34 |
| | PTC12-M-08N | 1/2 NPTF | 20.5 | 0.81 | 53.0 | 2.09 | 34.0 | 1.34 |
| | PTC12-M-08S | 3/4-16 UNF | 20.5 | 0.81 | 53.0 | 2.09 | 34.0 | 1.34 |
| 19 (3/4) | PTC19-M-12G | 3/4 BSPP | 28.0 | 1.10 | 63.0 | 2.48 | 46.0 | 1.81 |
| | PTC19-M-12N | 3/4 NPTF | 28.0 | 1.10 | 63.0 | 2.48 | 46.0 | 1.81 |
| | PTC19-M-12S | 1 1/16-12 UN | 28.0 | 1.10 | 63.0 | 2.48 | 46.0 | 1.81 |
| 25 (1) | PTC25-M-16G | 1 BSPP | 31.3 | 1.23 | 72.5 | 2.85 | 50.0 | 1.97 |
| | PTC25-M-16N | 1 NPTF | 31.3 | 1.23 | 72.5 | 2.85 | 50.0 | 1.97 |
| | PTC25-M-16S | 1 5/16-12 UN | 31.3 | 1.23 | 72.5 | 2.85 | 50.0 | 1.97 |
| 32 (1 1/4) | PTC32-M-20G | 1 1/4 BSPP | 44.0 | 1.73 | 86.0 | 3.39 | 65.0 | 2.56 |
| | PTC32-M-20N | 1 1/4 NPTF | 44.0 | 1.73 | 86.0 | 3.39 | 65.0 | 2.56 |
| | PTC32-M-20S | 1 5/8-12 UN | 44.0 | 1.73 | 86.0 | 3.39 | 65.0 | 2.56 |
| 40 (1 1/2) | PTC40-M-24G | 1 1/2 BSPP | 53.5 | 2.11 | 95.0 | 3.74 | 80.0 | 3.15 |
| | PTC40-M-24N | 1 1/2 NPTF | 53.5 | 2.11 | 95.0 | 3.74 | 80.0 | 3.15 |
| | PTC40-M-24S | 1 7/8-12 UN | 53.5 | 2.11 | 95.0 | 3.74 | 80.0 | 3.15 |
| 50 (2) | PTC50-M-32G | 2 BSPP | 82.0 | 3.23 | 118.5 | 4.67 | 110.0 | 4.33 |
| | PTC50-M-32N | 2 NPTF | 82.0 | 3.23 | 118.5 | 4.67 | 110.0 | 4.33 |
| | PTC50-M-32S | 2 1/2-12 UN | 82.0 | 3.23 | 118.5 | 4.67 | 110.0 | 4.33 |

Carbon steel standard, for stainless steel change PTC to PTS.

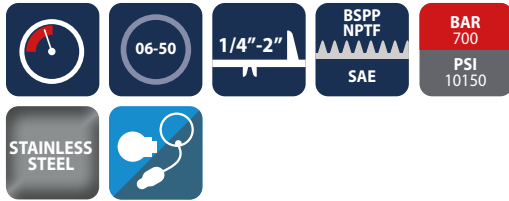
For all other configurations or thread types please contact the sales office.

PTS Series



INTRODUCTION

Holmbury's PTS Series stainless steel screw to connect couplings are designed for heavy duty applications involving very high pressures and severe pressure pulses. They incorporate all the benefits of the carbon steel PTC Series, whilst being perfectly suited for corrosive fluids and environments.



CONSTRUCTION

- AISI 316 stainless steel
- Fitted with FKM seals (Other seals available on request)
- Also available in carbon steel (See PTC Series)

FEATURES

- Can be connected with 50 bar (735 psi) residual pressure in the hydraulic circuit
- Bidirectional flow

ACCESSORIES

- Dust caps, plugs and seal kits are available for the PTS Series

SPECIFICATIONS

- Operating temperatures (With FKM seals): -20°C (-4°F) to 200°C (392°F)

APPLICATIONS

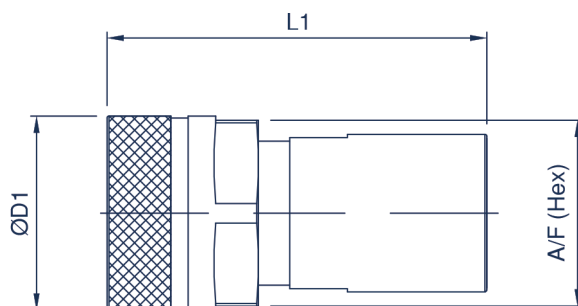
- Hydraulic jacks
- Marine
- Offshore/onshore

PTS PERFORMANCE CHARACTERISTICS

| Body Size | PTS06 | PTS10 | PTS12 | PTS19 | PTS25 | PTS32 | PTS40 | PTS50 |
|------------------------------------|-------------------------------|-------|-------|-------|-------|-------|-------|-------|
| | Pressure in bar - Flow in LPM | | | | | | | |
| | Pressure in PSI - Flow in GPM | | | | | | | |
| Maximum working pressure (Coupled) | 700 | 650 | 600 | 500 | 460 | 380 | 365 | 300 |
| | 10150 | 9425 | 8700 | 7250 | 6670 | 5510 | 5292 | 4350 |
| Burst pressure (Coupled) | 3700 | 2600 | 2500 | 2400 | 1500 | 1000 | 1000 | 900 |
| | 53650 | 37700 | 36250 | 34800 | 21750 | 14500 | 14500 | 13050 |
| Burst pressure (Male) | 3700 | 2300 | 2100 | 2100 | 1600 | 1000 | 900 | 900 |
| | 53650 | 33350 | 30450 | 30450 | 23200 | 14500 | 13050 | 13050 |
| Burst pressure (Female) | 3800 | 2000 | 2700 | 1700 | 1900 | 1000 | 950 | 900 |
| | 55100 | 29000 | 39150 | 24650 | 27550 | 14500 | 13775 | 13050 |
| Rated flow | 3 | 23 | 45 | 106 | 189 | 288 | 379 | 757 |
| | 0.8 | 6.1 | 12 | 28 | 50 | 76 | 100 | 200 |



Screw to connect high pressure heavy duty couplings



PTS FEMALE COUPLING

| Body Size | Part Number | Thread Size | D1 | | L1 | | A/F | |
|------------|-------------|--------------|-------|------|-------|------|-------|------|
| | | | mm | inch | mm | inch | mm | inch |
| 06 (1/4) | PTS06-F-04G | 1/4 BSPP | 30.0 | 1.18 | 61.5 | 2.42 | 27.0 | 1.06 |
| | PTS06-F-04N | 1/4 NPTF | 30.0 | 1.18 | 61.5 | 2.42 | 27.0 | 1.06 |
| | PTS06-F-06S | 9/16-18 UNF | 30.0 | 1.18 | 61.5 | 2.42 | 27.0 | 1.06 |
| 10 (3/8) | PTS10-F-06G | 3/8 BSPP | 39.0 | 1.54 | 69.0 | 2.72 | 36.0 | 1.42 |
| | PTS10-F-06N | 3/8 NPTF | 39.0 | 1.54 | 69.0 | 2.72 | 36.0 | 1.42 |
| | PTS10-F-06S | 9/16-18 UNF | 39.0 | 1.54 | 69.0 | 2.72 | 36.0 | 1.42 |
| 12 (1/2) | PTS12-F-08G | 1/2 BSPP | 44.0 | 1.73 | 79.0 | 3.11 | 41.0 | 1.61 |
| | PTS12-F-08N | 1/2 NPTF | 44.0 | 1.73 | 79.0 | 3.11 | 41.0 | 1.61 |
| | PTS12-F-08S | 3/4-16 UNF | 44.0 | 1.73 | 79.0 | 3.11 | 41.0 | 1.61 |
| 19 (3/4) | PTS19-F-12G | 3/4 BSPP | 54.0 | 2.13 | 97.5 | 3.84 | 50.0 | 1.97 |
| | PTS19-F-12N | 3/4 NPTF | 54.0 | 2.13 | 97.5 | 3.84 | 50.0 | 1.97 |
| | PTS19-F-12S | 1 1/16-12 UN | 54.0 | 2.13 | 97.5 | 3.84 | 50.0 | 1.97 |
| 25 (1) | PTS25-F-16G | 1 BSPP | 59.0 | 2.32 | 112.5 | 4.43 | 54.5 | 2.15 |
| | PTS25-F-16N | 1 NPTF | 59.0 | 2.32 | 112.5 | 4.43 | 54.5 | 2.15 |
| | PTS25-F-16S | 1 5/16-12 UN | 59.0 | 2.32 | 112.5 | 4.43 | 54.5 | 2.15 |
| 32 (1 1/4) | PTS32-F-20G | 1 1/4 BSPP | 80.0 | 3.15 | 139.5 | 5.49 | 74.5 | 2.93 |
| | PTS32-F-20N | 1 1/4 NPTF | 80.0 | 3.15 | 139.5 | 5.49 | 74.5 | 2.93 |
| | PTS32-F-20S | 1 5/8-12 UN | 80.0 | 3.15 | 139.5 | 5.49 | 74.5 | 2.93 |
| 40 (1 1/2) | PTS40-F-24G | 1 1/2 BSPP | 98.0 | 3.86 | 172.0 | 6.77 | 90.0 | 3.54 |
| | PTS40-F-24N | 1 1/2 NPTF | 98.0 | 3.86 | 172.0 | 6.77 | 90.0 | 3.54 |
| | PTS40-F-24S | 1 7/8-12 UN | 98.0 | 3.86 | 172.0 | 6.77 | 90.0 | 3.54 |
| 50 (2) | PTS50-F-32G | 2 BSPP | 127.5 | 5.02 | 160.0 | 6.30 | 123.0 | 4.84 |
| | PTS50-F-32N | 2 NPTF | 127.5 | 5.02 | 160.0 | 6.30 | 123.0 | 4.84 |
| | PTS50-F-32S | 2 1/2-12 UN | 127.5 | 5.02 | 160.0 | 6.30 | 123.0 | 4.84 |

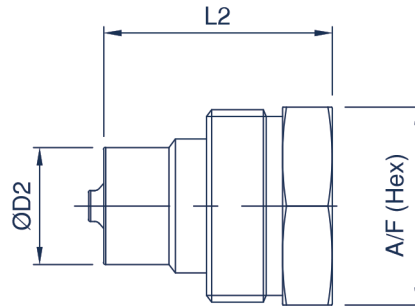
CAPS/PLUGS ACCESSORIES

| FEMALE PLUGS | MALE CAPS |
|--------------|-------------|
| PTS06-F-PLUG | PLC06-M-CAP |
| PTS10-F-PLUG | PLC10-M-CAP |
| PTS12-F-PLUG | PLC12-M-CAP |
| PTS19-F-PLUG | PLC19-M-CAP |
| PTS25-F-PLUG | PLC25-M-CAP |

Standard material is aluminium

SEAL KITS

| |
|------------------|
| PTS06-F-SEAL KIT |
| PTS10-F-SEAL KIT |
| PTS12-F-SEAL KIT |
| PTS19-F-SEAL KIT |
| PTS25-F-SEAL KIT |
| PTS32-F-SEAL KIT |
| PTS40-F-SEAL KIT |
| PTS50-F-SEAL KIT |



PTS MALE COUPLING

| Body Size | Part Number | Thread Size | D2 | | L2 | | A/F | |
|-------------------|-------------|--------------|------|------|-------|------|-------|------|
| | | | mm | inch | mm | inch | mm | inch |
| 06 (1/4) | PTS06-M-04G | 1/4 BSPP | 14.2 | 0.56 | 43.0 | 1.69 | 25.0 | 0.98 |
| | PTS06-M-04N | 1/4 NPTF | 14.2 | 0.56 | 43.0 | 1.69 | 25.0 | 0.98 |
| | PTS06-M-06S | 9/16-18 UNF | 14.2 | 0.56 | 43.0 | 1.69 | 25.0 | 0.98 |
| 10 (3/8) | PTS10-M-06G | 3/8 BSPP | 19.0 | 0.75 | 48.5 | 1.91 | 32.0 | 1.26 |
| | PTS10-M-06N | 3/8 NPTF | 19.0 | 0.75 | 48.5 | 1.91 | 32.0 | 1.26 |
| | PTS10-M-06S | 9/16-18 UNF | 19.0 | 0.75 | 48.5 | 1.91 | 32.0 | 1.26 |
| 12 (1/2) | PTS12-M-08G | 1/2 BSPP | 20.5 | 0.81 | 53.0 | 2.09 | 34.0 | 1.34 |
| | PTS12-M-08N | 1/2 NPTF | 20.5 | 0.81 | 53.0 | 2.09 | 34.0 | 1.34 |
| | PTS12-M-08S | 3/4-16 UNF | 20.5 | 0.81 | 53.0 | 2.09 | 34.0 | 1.34 |
| 19 (3/4) | PTS19-M-12G | 3/4 BSPP | 28.0 | 1.10 | 63.0 | 2.48 | 46.0 | 1.81 |
| | PTS19-M-12N | 3/4 NPTF | 28.0 | 1.10 | 63.0 | 2.48 | 46.0 | 1.81 |
| | PTS19-M-12S | 1 1/16-12 UN | 28.0 | 1.10 | 63.0 | 2.48 | 46.0 | 1.81 |
| 25 (1) | PTS25-M-16G | 1 BSPP | 31.3 | 1.23 | 72.5 | 2.85 | 50.0 | 1.97 |
| | PTS25-M-16N | 1 NPTF | 31.3 | 1.23 | 72.5 | 2.85 | 50.0 | 1.97 |
| | PTS25-M-16S | 1 5/16-12 UN | 31.3 | 1.23 | 72.5 | 2.85 | 50.0 | 1.97 |
| 32 (1 1/4) | PTS32-M-20G | 1 1/4 BSPP | 44.0 | 1.73 | 86.0 | 3.39 | 65.0 | 2.56 |
| | PTS32-M-20N | 1 1/4 NPTF | 44.0 | 1.73 | 86.0 | 3.39 | 65.0 | 2.56 |
| | PTS32-M-20S | 1 5/8-12 UN | 44.0 | 1.73 | 86.0 | 3.39 | 65.0 | 2.56 |
| 40 (1 1/2) | PTS40-M-24G | 1 1/2 BSPP | 53.5 | 2.11 | 95.0 | 3.74 | 80.0 | 3.15 |
| | PTS40-M-24N | 1 1/2 NPTF | 53.5 | 2.11 | 95.0 | 3.74 | 80.0 | 3.15 |
| | PTS40-M-24S | 1 7/8-12 UN | 53.5 | 2.11 | 95.0 | 3.74 | 80.0 | 3.15 |
| 50 (2) | PTS50-M-32G | 2 BSPP | 82.0 | 3.23 | 118.5 | 4.67 | 110.0 | 4.33 |
| | PTS50-M-32N | 2 NPTF | 82.0 | 3.23 | 118.5 | 4.67 | 110.0 | 4.33 |
| | PTS50-M-32S | 2 1/2-12 UN | 82.0 | 3.23 | 118.5 | 4.67 | 110.0 | 4.33 |

For all other configurations or thread types please contact the sales office.



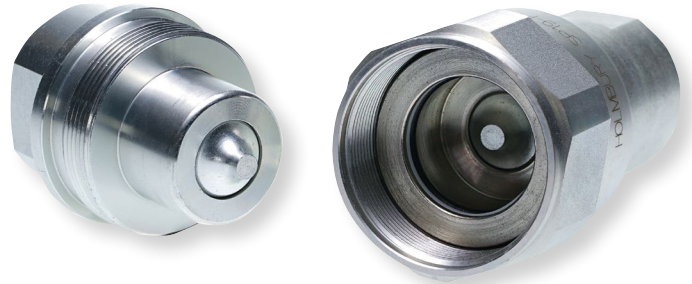
Screw to connect high pressure couplings

SP, SPS Series



INTRODUCTION

Holmbury's SP Series screw to connect couplings are designed for heavy duty applications involving very high pressures and severe pressure pulses.



CONSTRUCTION

- Carbon steel with trivalent plating
- Fitted with NBR seals
- Also available in AISI 316 (SPS Series) stainless steel

FEATURES

- Screw to connect design eliminates brinelling
- Can be connected with up to 50 bar (735 psi) residual pressure in the hydraulic circuit
- Bidirectional flow

ACCESSORIES

- Dust caps, plugs and seal kits are available for the SP and SPS Series

SPECIFICATIONS

- Operating temperatures (With NBR seals): -40°C (-40°F) to 106°C (223°F)

APPLICATIONS

- Hydraulic jacks
- Hydraulic hammers
- Construction plant
- Mobile equipment
- Demolition
- Agricultural industries

SP, SPS PERFORMANCE CHARACTERISTICS

| Body Size | SP06 | SP10 | SP12 | SP19 | SP25 |
|------------------------------------|-------|-------|-------|-------|-------|
| | | | | | |
| Pressure in PSI - Flow in GPM | | | | | |
| Maximum working pressure (Coupled) | 950 | 750 | 750 | 650 | 450 |
| | 13775 | 10875 | 10875 | 9425 | 6525 |
| Burst pressure (Coupled) | 3800 | 3000 | 3000 | 2600 | 1800 |
| | 55100 | 43500 | 43500 | 37700 | 26100 |
| Burst pressure (Male) | 3650 | 3000 | 2950 | 2520 | 1800 |
| | 52925 | 43500 | 42775 | 36540 | 26100 |
| Burst pressure (Female) | 3500 | 2900 | 3000 | 2500 | 1650 |
| | 50750 | 42050 | 43500 | 36250 | 23925 |
| Rated flow | 3 | 23 | 45 | 106 | 189 |
| | 0.8 | 6.1 | 12 | 28 | 50 |

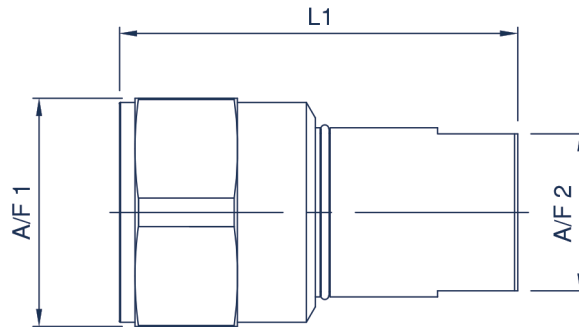
CAPS/PLUGS ACCESSORIES

| FEMALE PLUGS | MALE CAPS |
|--------------|------------|
| SP06-F-PLUG | SP06-M-CAP |
| SP10-F-PLUG | SP10-M-CAP |
| SP12-F-PLUG | SP12-M-CAP |
| SP19-F-PLUG | SP19-M-CAP |
| SP25-F-PLUG | SP25-M-CAP |

Standard material is steel

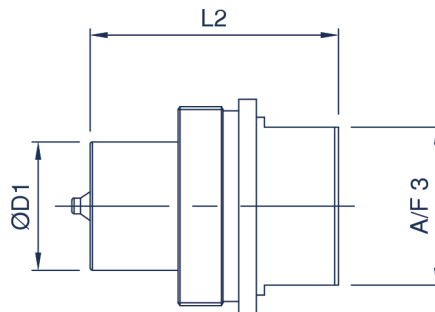
SEAL KITS

| |
|-----------------|
| SP06-F-SEAL KIT |
| SP10-F-SEAL KIT |
| SP12-F-SEAL KIT |
| SP19-F-SEAL KIT |
| SP25-F-SEAL KIT |



SP, SPS FEMALE COUPLING

| Body Size | Part Number | Thread Size | A/F1 | | L1 | | A/F2 | |
|-----------|-------------|-------------|------|------|-------|------|------|------|
| | | | mm | inch | mm | inch | mm | inch |
| 06 (1/4) | SP06-F-04G | 1/4 BSPP | 32.0 | 1.26 | 58.9 | 2.32 | 19.0 | 0.75 |
| | SP06-F-04N | 1/4 NPTF | 32.0 | 1.26 | 58.9 | 2.32 | 19.0 | 0.75 |
| 10 (3/8) | SP10-F-06G | 3/8 BSPP | 36.0 | 1.42 | 66.5 | 2.62 | 22.0 | 0.87 |
| | SP10-F-06N | 3/8 NPTF | 36.0 | 1.42 | 66.5 | 2.62 | 22.0 | 0.87 |
| 12 (1/2) | SP12-F-08G | 1/2 BSPP | 41.0 | 1.61 | 76.5 | 3.01 | 27.0 | 1.06 |
| | SP12-F-08N | 1/2 NPTF | 41.0 | 1.61 | 76.5 | 3.01 | 27.0 | 1.06 |
| 19 (3/4) | SP19-F-12G | 3/4 BSPP | 50.0 | 1.97 | 89.5 | 3.52 | 35.0 | 1.38 |
| | SP19-F-12N | 3/4 NPTF | 50.0 | 1.97 | 89.5 | 3.52 | 35.0 | 1.38 |
| 25 (1) | SP25-F-16G | 1 BSPP | 65.0 | 2.56 | 105.5 | 4.15 | 41.0 | 1.61 |
| | SP25-F-16N | 1 NPTF | 65.0 | 2.56 | 105.5 | 4.15 | 41.0 | 1.61 |



SP, SPS MALE COUPLING

| Body Size | Part Number | Thread Size | D1 | | L2 | | A/F3 | |
|-----------|-------------|-------------|------|------|------|------|------|------|
| | | | mm | inch | mm | inch | mm | inch |
| 06 (1/4) | SP06-M-04G | 1/4 BSPP | 15.0 | 0.59 | 36.0 | 1.42 | 19.0 | 0.75 |
| | SP06-M-04N | 1/4 NPTF | 15.0 | 0.59 | 36.0 | 1.42 | 19.0 | 0.75 |
| 10 (3/8) | SP10-M-06G | 3/8 BSPP | 19.0 | 0.75 | 40.5 | 1.59 | 22.0 | 0.87 |
| | SP10-M-06N | 3/8 NPTF | 19.0 | 0.75 | 40.5 | 1.59 | 22.0 | 0.87 |
| 12 (1/2) | SP12-M-08G | 1/2 BSPP | 22.0 | 0.87 | 49.0 | 1.93 | 27.0 | 1.06 |
| | SP12-M-08N | 1/2 NPTF | 22.0 | 0.87 | 49.0 | 1.93 | 27.0 | 1.06 |
| 19 (3/4) | SP19-M-12G | 3/4 BSPP | 29.0 | 1.14 | 56.0 | 2.20 | 35.0 | 1.38 |
| | SP19-M-12N | 3/4 NPTF | 29.0 | 1.14 | 56.0 | 2.20 | 35.0 | 1.38 |
| 25 (1) | SP25-M-16G | 1 BSPP | 36.0 | 1.42 | 66.0 | 2.60 | 41.0 | 1.61 |
| | SP25-M-16N | 1 NPTF | 36.0 | 1.42 | 66.0 | 2.60 | 41.0 | 1.61 |

For all other configurations or thread types please contact the sales office.



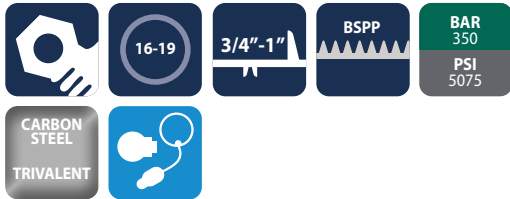
Screw to connect tipper couplings

TC Series



INTRODUCTION

Holmbury's TC Series screw to connect tipper couplings are designed for use on tipper trucks. The female coupling has a wing nut sleeve which enables operators to connect the couplings by hand, even when there is low residual pressure in the line.



CONSTRUCTION

- Carbon steel with trivalent plating
- Fitted with NBR seals

FEATURES

- Screw to connect design eliminates brinelling
- Wing nut sleeve design allows connection by hand
- Can be connected with up to 50 bar (735 psi) residual pressure in the hydraulic circuit
- Bidirectional flow
- Male has external thread for bulkhead mounting

ACCESSORIES

- Dust caps and plugs are available for the TC Series

SPECIFICATIONS

- Operating temperatures (With NBR seals): -40°C (-40°F) to 106°C (223°F)

APPLICATIONS

- Tipper trucks
- Commercial vehicle trailers, agricultural equipment and construction plant
- Mobile plant

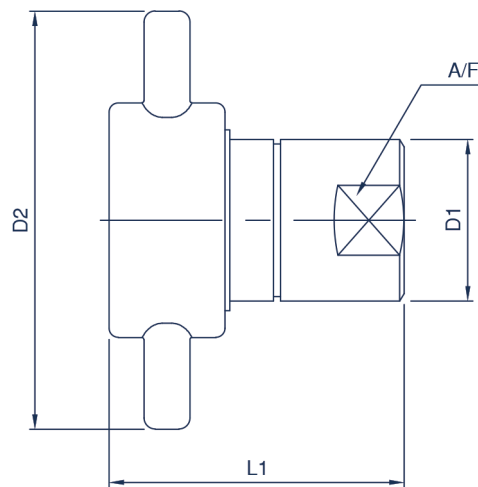
TC PERFORMANCE CHARACTERISTICS

| Body Size | TC16 | TC19 |
|------------------------------------|-------------------------------|----------------|
| | Pressure in bar - Flow in LPM | |
| | Pressure in PSI - Flow in GPM | |
| Maximum working pressure (Coupled) | 350 5075 | 300 4350 |
| Burst pressure (Coupled) | 1,325 19213 | 1,325 19213 |
| Burst pressure (Male) | 1,100 15950 | 1,200 17400 |
| Burst pressure (Female) | 1,300 18850 | 900 13050 |
| Rated flow | 106 28 | 189 50 |

CAPS/PLUGS ACCESSORIES

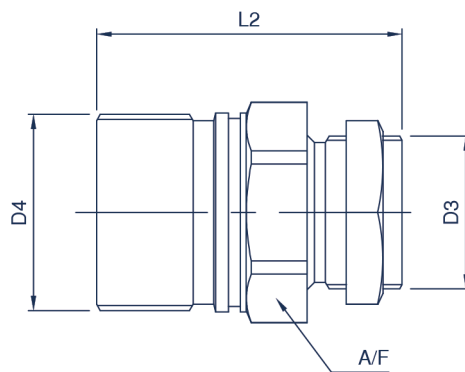
| FEMALE PLUGS | MALE CAPS |
|--------------|------------|
| TC16-F-PLUG | TC16-M-CAP |
| TC19-F-PLUG | TC19-M-CAP |

Standard material is steel



TC FEMALE COUPLING

| Body Size | Part Number | Thread Size | D2 | | L1 | | D1 | | A/F | |
|-----------------|-------------|-------------|-------|------|------|------|------|------|------|------|
| | | | mm | inch | mm | inch | mm | inch | mm | inch |
| 19 (3/4) | TC16-F-12G | 3/4 BSPP | 115.4 | 4.54 | 78.0 | 3.07 | 37.0 | 1.46 | 33.0 | 1.30 |
| 25 (1) | TC19-F-16G | 1 BSPP | 115.4 | 4.54 | 83.0 | 3.27 | 44.0 | 1.73 | 40.0 | 1.57 |



TC MALE COUPLING

| Body Size | Part Number | Thread Size | D4 | L2 | | D3 | | A/F | |
|-----------------|-------------|-------------|---------------|------|------|------|------|------|------|
| | | | (Thread size) | mm | inch | mm | inch | mm | inch |
| 19 (3/4) | TC16-M-12G | 3/4 BSPP | 1 3/4-10 | 78.0 | 3.07 | 42.0 | 1.65 | 46.0 | 1.81 |
| 25 (1) | TC19-M-16G | 1 BSPP | 2 1/8-10 | 83.0 | 3.27 | 42.0 | 1.65 | 55.0 | 2.17 |

For all other configurations or thread types please contact the sales office.



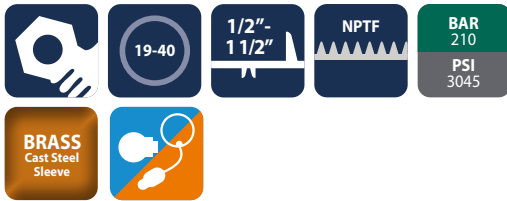
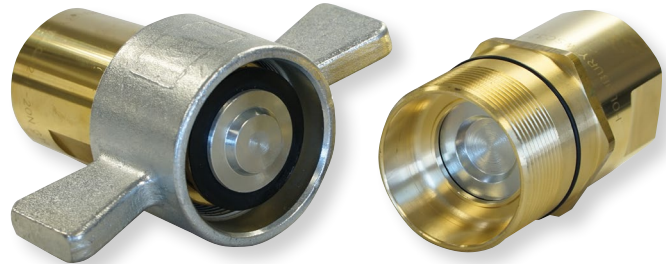
Screw to connect brass wing style couplings with steel nut

WSC Series



INTRODUCTION

Holmbury's WSC Series brass screw to connect couplings are designed to allow connection and disconnection by hand. The brass construction makes them the idea choice for water based applications.



CONSTRUCTION

- Brass body
- Wing nut carbon steel with trivalent plating
- Fitted with NBR seals

FEATURES

- Can be connected with 50 bar (735 psi) residual pressure in the hydraulic circuit
- Bidirectional flow

ACCESSORIES

- Dust caps, plugs and mounting flanges are available for the WSC Series

SPECIFICATIONS

- Operating temperatures (With NBR seals): -40°C (-40°F) to 106°C (223°F)

APPLICATIONS

- Trailers
- Wet line kits
- Offshore/onshore

WSC PERFORMANCE CHARACTERISTICS

| Body Size | WSC19 | WSC25 | WSC32 | WSC40 |
|------------------------------------|-------------------------------|-------------|-------------|-------------|
| | Pressure in bar - Flow in LPM | | | |
| | Pressure in PSI - Flow in GPM | | | |
| Maximum working pressure (Coupled) | 210 3045 | 210 3045 | 190 2755 | 175 2538 |
| Burst pressure (Coupled) | 650 9425 | 650 9425 | 650 9425 | 525 7613 |
| Burst pressure (Male) | 650 9425 | 650 9425 | 650 9425 | 525 7613 |
| Burst pressure (Female) | 600 8700 | 600 8700 | 600 8700 | 475 6888 |
| Rated flow | 106 28 | 189 50 | 288 76 | 379 100 |

CAPS/PLUGS ACCESSORIES

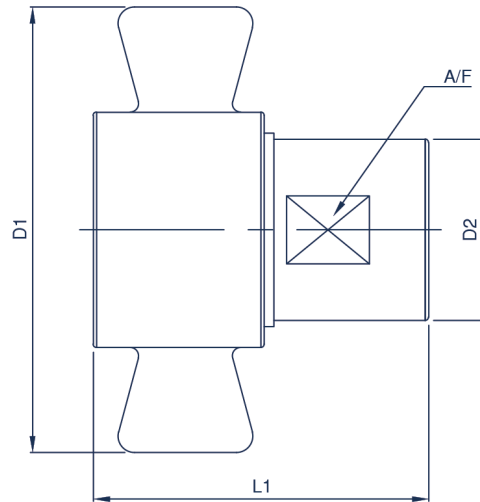
| FEMALE PLUGS | MALE CAPS |
|--------------|-------------|
| WSC19-F-PLUG | WSC19-M-CAP |
| WSC25-F-PLUG | WSC25-M-CAP |
| WSC32-F-PLUG | WSC32-M-CAP |
| WSC40-F-PLUG | WSC40-M-CAP |

Standard material is brass

FLANGE KITS

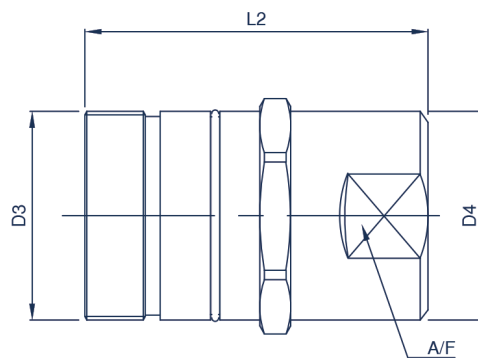
| |
|----------------|
| WSC19-M-FLANGE |
| WSC25-M-FLANGE |
| WSC32-M-FLANGE |
| WSC40-M-FLANGE |

Standard material is plated carbon steel



WSC FEMALE COUPLING

| Body Size | Part Number | Thread Size | D1 | | L1 | | D2 | | A/F | |
|------------|----------------|-------------|-------|------|-------|------|------|------|------|------|
| | | | mm | inch | mm | inch | mm | inch | mm | inch |
| 19 (3/4) | WSC19-F-08N | 1/2 NPTF | 103.0 | 4.06 | 78.5 | 3.09 | 31.7 | 1.25 | 29.5 | 1.16 |
| | WSC19-F-08N-HN | 1/2 NPTF | 44.4 | 1.75 | 78.5 | 3.09 | 31.7 | 1.25 | 29.5 | 1.16 |
| | WSC19-F-12N | 3/4 NPTF | 103.0 | 4.06 | 78.5 | 3.09 | 31.7 | 1.25 | 29.5 | 1.16 |
| | WSC19-F-12N-HN | 3/4 NPTF | 44.4 | 1.75 | 78.5 | 3.09 | 31.7 | 1.25 | 29.5 | 1.16 |
| 25 (1) | WSC25-F-16N | 1 NPTF | 111.0 | 4.37 | 93.0 | 3.66 | 39.8 | 1.57 | 36.5 | 1.44 |
| | WSC25-F-16N-HN | 1 NPTF | 54.0 | 2.13 | 93.0 | 3.66 | 39.8 | 1.57 | 36.5 | 1.44 |
| 32 (1 1/4) | WSC32-F-20N | 1 1/4 NPTF | 131.8 | 5.19 | 101.0 | 3.98 | 48.0 | 1.89 | 45.2 | 1.78 |
| | WSC32-F-20N-HN | 1 1/4 NPTF | 63.5 | 2.50 | 101.0 | 3.98 | 48.0 | 1.89 | 45.2 | 1.78 |
| 40 (1 1/2) | WSC40-F-24N | 1 1/2 NPTF | 134.9 | 5.31 | 102.0 | 4.02 | 55.0 | 2.17 | 50.8 | 2.00 |
| | WSC40-F-24N-HN | 1 1/2 NPTF | 70.0 | 2.76 | 102.0 | 4.02 | 55.0 | 2.17 | 50.8 | 2.00 |



WSC MALE COUPLING

| Body Size | Part Number | Thread Size | D3 | L2 | | D4 | | A/F | |
|------------|-------------|-------------|---------------|-------|------|------|------|------|------|
| | | | (Thread Size) | mm | inch | mm | inch | mm | inch |
| 19 (3/4) | WSC19-M-08N | 1/2 NPTF | 1 1/2-12 UN | 79.0 | 3.11 | 37.5 | 1.48 | 30.0 | 1.18 |
| | WSC19-M-12N | 3/4 NPTF | 1 1/2-12 UN | 79.0 | 3.11 | 37.5 | 1.48 | 30.0 | 1.18 |
| 25 (1) | WSC25-M-16N | 1 NPTF | 1 7/8-12 UN | 90.0 | 3.54 | 44.2 | 1.74 | 40.0 | 1.57 |
| 32 (1 1/4) | WSC32-M-20N | 1 1/4 NPTF | 2 1/8-12 UN | 94.0 | 3.70 | 53.0 | 2.09 | 47.7 | 1.88 |
| 40 (1 1/2) | WSC40-M-24N | 1 1/2 NPTF | 2 1/2-12 UN | 104.6 | 4.12 | 62.7 | 2.47 | 57.2 | 2.25 |

For all other configurations or thread types please contact the sales office.



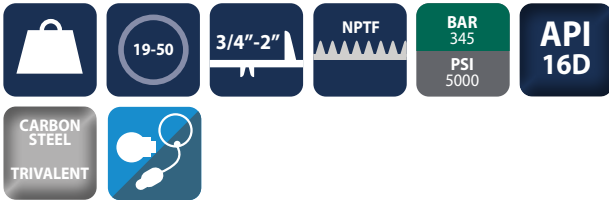
Screw to connect heavy duty couplings

LC Series



INTRODUCTION

Holmbury's LC Series heavy duty, screw to connect couplings are designed primarily for heavy duty applications.



CONSTRUCTION

- Carbon steel with trivalent plating
- Cast steel heavy duty sleeve
- Fitted with NBR seals

FEATURES

- API 16D certified and Lloyds approved for BOP applications in sizes 19 to 32
- Inspection hole enables check of complete connection between both halves
- Screw to connect design eliminates brinelling
- Hard wearing heavy duty sleeve
- Bidirectional flow

ACCESSORIES

- Dust caps, plugs and seal kits are available for the LC Series

SPECIFICATIONS

- Operating temperatures (With NBR seals): -40°C (-40°F) to 106°C (223°F)

APPLICATIONS

- Heavy duty applications
- Offshore/onshore
- Construction

LC PERFORMANCE CHARACTERISTICS

| Body Size | LC19 | LC25 | LC32 | LC40 | LC50 |
|------------------------------------|-------------------------------|---------------|---------------|---------------|---------------|
| | Pressure in bar - Flow in LPM | | | | |
| | Pressure in PSI - Flow in GPM | | | | |
| Maximum working pressure (Coupled) | 345 5000 | 345 5000 | 345 5000 | 345 5000 | 345 5000 |
| Burst pressure (Coupled) | 1380 20015 | 1380 20015 | 1050 15225 | 1050 15225 | 1050 15225 |
| Burst pressure (Male) | 1380 20015 | 1380 20015 | 1050 15225 | 1050 15225 | 1050 15225 |
| Burst pressure (Female) | 1380 20015 | 1380 20015 | 1050 15225 | 1050 15225 | 1050 15225 |
| Rated flow | 106 28 | 189 50 | 288 76 | 379 100 | 757 200 |

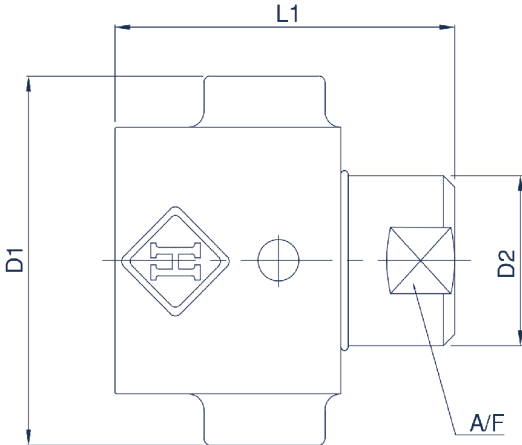
CAPS/PLUGS ACCESSORIES

| FEMALE PLUGS | MALE CAPS |
|--------------|------------|
| LC19-F-PLUG | LC19-M-CAP |
| LC25-F-PLUG | LC25-M-CAP |
| LC32-F-PLUG | LC32-M-CAP |
| LC40-F-PLUG | LC40-M-CAP |
| LC50-F-PLUG | LC50-M-CAP |

Standard material is aluminium

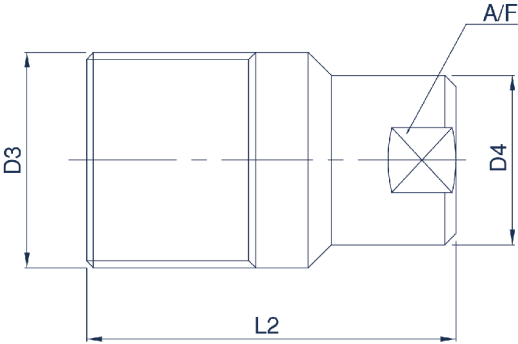
SEAL KITS

| |
|-----------------|
| LC19-M-SEAL KIT |
| LC25-M-SEAL KIT |
| LC32-M-SEAL KIT |
| LC40-M-SEAL KIT |
| LC50-M-SEAL KIT |



LC FEMALE COUPLING

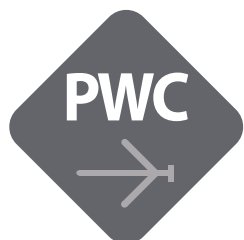
| Body Size | Part Number | Thread Size | D1 | | L1 | | D2 | | A/F | |
|------------|----------------|-------------|-------|------|-------|------|------|------|------|------|
| | | | mm | inch | mm | inch | mm | inch | mm | inch |
| 19 (3/4) | LC19-F-12N | 3/4 NPTF | 77.0 | 3.03 | 71.1 | 2.80 | 35.0 | 1.38 | 32.0 | 1.26 |
| | LC19-F-12N-BOP | 3/4 NPTF | 77.0 | 3.03 | 71.1 | 2.80 | 35.0 | 1.38 | 32.0 | 1.26 |
| 25 (1) | LC25-F-16N | 1 NPTF | 102.5 | 4.04 | 88.0 | 3.46 | 45.0 | 1.77 | 41.3 | 1.63 |
| | LC25-F-16N-BOP | 1 NPTF | 102.5 | 4.04 | 88.0 | 3.46 | 45.0 | 1.77 | 41.3 | 1.63 |
| 32 (1 1/4) | LC32-F-20N | 1 1/4 NPTF | 114.8 | 4.52 | 111.8 | 4.40 | 54.4 | 2.14 | 50.8 | 2.00 |
| | LC32-F-20N-BOP | 1 1/4 NPTF | 114.8 | 4.52 | 111.8 | 4.40 | 54.4 | 2.14 | 50.8 | 2.00 |
| 40 (1 1/2) | LC40-F-24N | 1 1/2 NPTF | 126.8 | 4.99 | 130.7 | 5.15 | 63.5 | 2.50 | 60.3 | 2.37 |
| 50 (2) | LC50-F-32N | 2 NPTF | 171.5 | 6.75 | 154.6 | 6.09 | 82.5 | 3.25 | 74.6 | 2.94 |



LC MALE COUPLING

| Body Size | Part Number | Thread Size | D3 | | L2 | | D4 | | A/F | |
|------------|----------------|-------------|-------|------|-------|------|------|------|------|------|
| | | | mm | inch | mm | inch | mm | inch | mm | inch |
| 19 (3/4) | LC19-M-12N | 3/4 NPTF | 44.5 | 1.75 | 83.0 | 3.27 | 35.4 | 1.39 | 32.0 | 1.26 |
| | LC19-M-12N-BOP | 3/4 NPTF | 44.5 | 1.75 | 83.0 | 3.27 | 35.4 | 1.39 | 32.0 | 1.26 |
| 25 (1) | LC25-M-16N | 1 NPTF | 57.0 | 2.24 | 106.0 | 4.17 | 45.0 | 1.77 | 41.3 | 1.63 |
| | LC25-M-16N-BOP | 1 NPTF | 57.0 | 2.24 | 106.0 | 4.17 | 45.0 | 1.77 | 41.3 | 1.63 |
| 32 (1 1/4) | LC32-M-20N | 1 1/4 NPTF | 66.5 | 2.62 | 136.0 | 5.35 | 54.4 | 2.14 | 50.8 | 2.00 |
| | LC32-M-20N-BOP | 1 1/4 NPTF | 66.5 | 2.62 | 136.0 | 5.35 | 54.4 | 2.14 | 50.8 | 2.00 |
| 40 (1 1/2) | LC40-M-24N | 1 1/2 NPTF | 82.5 | 3.25 | 152.0 | 5.98 | 64.0 | 2.52 | 60.3 | 2.37 |
| 50 (2) | LC50-M-32N | 2 NPTF | 101.5 | 4.00 | 179.0 | 7.05 | 82.5 | 3.25 | 74.6 | 2.94 |

For all other configurations or thread types please contact the sales office.



PRESSURE WASHER COUPLINGS

Pressure washer couplings can accommodate high flow rates with minimal pressure drops. Female coupling has a double 'O' ring sealing arrangement. Valveless design means careful attention must be given to potential fluid loss during disconnection. Suitable only for non-hazardous media only.





Valveless free flow couplings for commercial and industrial washers. Used in multiple applications across a wide range of markets.



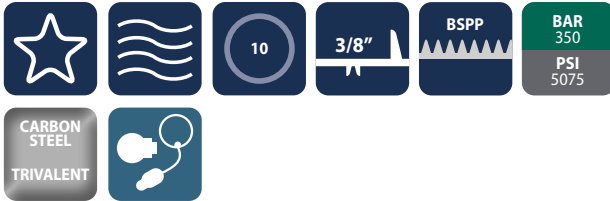
Free flow, valveless pressure washer couplings

PWC Series



INTRODUCTION

Holmbury's PWC Series couplings are able to accommodate high flow rates and minimal pressure drops. The couplings are valveless, hence when disconnected any fluid in the system can escape. This makes these couplings suitable for the transmission of non-hazardous fluids only.



CONSTRUCTION

- Carbon steel with trivalent plating
- Fitted with FKM seals
- Available in AISI 316 stainless steel (See PWS Series)

FEATURES

- Valveless design allows for high flow rates and minimal pressure drop characteristics
- Female half has double 'O' ring sealing arrangement
- Bidirectional flow

ACCESSORIES

- Seal kits are available for the PWC (S) Series

SPECIFICATIONS

- Operating temperatures (with FKM seals): -20°C (-4°F) to 200°C (392°F)

APPLICATIONS

- Designed for use in pressure washer systems and systems containing non-hazardous fluids

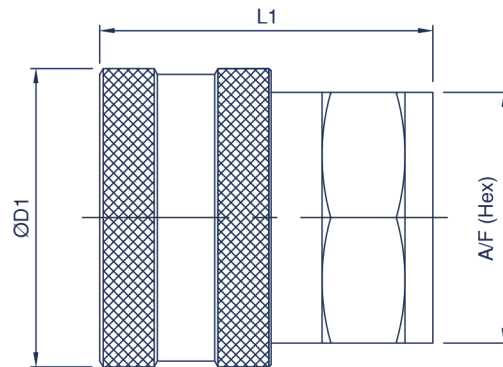
PWC PERFORMANCE CHARACTERISTICS

| Body Size | PWC10 | |
|------------------------------------|-------------------------------|-------------------------------|
| | Pressure in bar - Flow in LPM | Pressure in PSI - Flow in GPM |
| Maximum working pressure (Coupled) | 350 | 5075 |
| | 1500 | 21750 |
| Burst pressure (Coupled) | 23 | 6.1 |
| Rated flow | | |

SEAL KITS

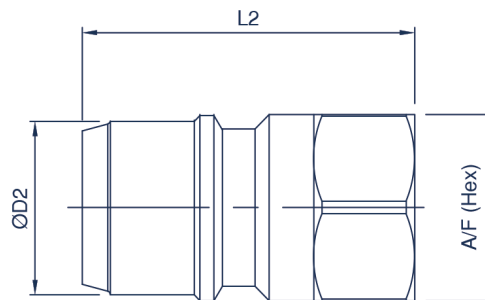
PWC10-F-SEAL KIT

Standard material is FKM



PWC FEMALE COUPLING

| Body Size | Part Number | Thread Size | D1 | | L1 | | A/F | |
|-----------|-------------|-------------|------|------|------|------|------|------|
| | | | mm | inch | mm | inch | mm | inch |
| 10 (3/8) | PWC10-F-06G | 3/8 BSPP | 35.0 | 1.38 | 39.0 | 1.54 | 30.0 | 1.18 |
| | PWC10-F-06N | 3/8 NPTF | 35.0 | 1.38 | 39.0 | 1.54 | 30.0 | 1.18 |



PWC MALE COUPLING

| Body Size | Part Number | Thread Size | D2 | | L2 | | A/F | |
|-----------|-------------|-------------|------|------|------|------|------|------|
| | | | mm | inch | mm | inch | mm | inch |
| 10 (3/8) | PWC10-M-06G | 3/8 BSPP | 20.0 | 0.79 | 38.0 | 1.50 | 22.0 | 0.87 |
| | PWC10-M-06N | 3/8 NPTF | 20.0 | 0.79 | 38.0 | 1.50 | 22.0 | 0.87 |

For all other configurations or thread types please contact the sales office.



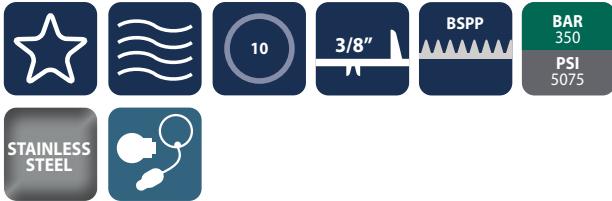
Free flow, valveless pressure washer couplings

PWS Series



INTRODUCTION

Holmbury's PWS Series couplings are able to accommodate high flow rates and minimal pressure drops. The couplings are valveless, hence when disconnected any fluid in the system can escape. This makes these couplings suitable for the transmission of non-hazardous fluids only.



CONSTRUCTION

- AISI 316 stainless steel
- Fitted with FKM seals
- Also available in carbon steel (See PWC Series)

FEATURES

- Valveless design allows for high flow rates and minimal pressure drop characteristics
- Female half has double 'O' ring sealing arrangement
- Bidirectional flow

ACCESSORIES

- Seal kits are available for the PWS (C) Series

SPECIFICATIONS

- Operating temperatures (with FKM seals): -20°C (-4°F) to 200°C (392°F)

APPLICATIONS

- Designed for use in pressure washer systems and systems containing non-hazardous fluids

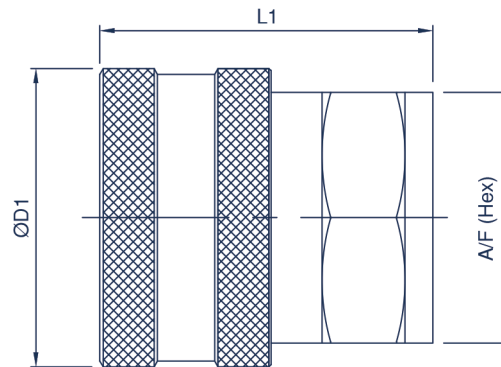
PWS PERFORMANCE CHARACTERISTICS

| Body Size | PWS10 | |
|------------------------------------|-------------------------------|-------------------------------|
| | Pressure in bar - Flow in LPM | Pressure in PSI - Flow in GPM |
| Maximum working pressure (Coupled) | 350 | |
| | | 5075 |
| Burst pressure (Coupled) | 1500 | |
| | | 21750 |
| Rated flow | 23 | |
| | | 6.1 |

SEAL KITS

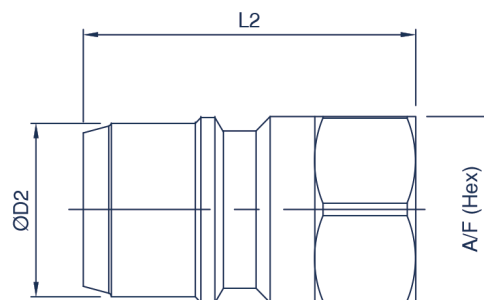
PWC10-F-SEAL KIT

Standard material is FKM



PWS FEMALE COUPLING

| Body Size | Part Number | Thread Size | D1 | | L1 | | A/F | |
|-----------|-------------|-------------|------|------|------|------|------|------|
| | | | mm | inch | mm | inch | mm | inch |
| 10 (3/8) | PWS10-F-06G | 3/8 BSPP | 35.0 | 1.38 | 39.0 | 1.54 | 30.0 | 1.18 |
| | PWS10-F-06N | 3/8 NPTF | 35.0 | 1.38 | 39.0 | 1.54 | 30.0 | 1.18 |



PWS MALE COUPLING

| Body Size | Part Number | Thread Size | D2 | | L2 | | A/F | |
|-----------|-------------|-------------|------|------|------|------|------|------|
| | | | mm | inch | mm | inch | mm | inch |
| 10 (3/8) | PWS10-M-06G | 3/8 BSPP | 20.0 | 0.79 | 38.0 | 1.50 | 22.0 | 0.87 |
| | PWS10-M-06N | 3/8 NPTF | 20.0 | 0.79 | 38.0 | 1.50 | 22.0 | 0.87 |

For all other configurations or thread types please contact the sales office.



Free flow, valveless pressure washer couplings

HFB, HFS, HFC Series



INTRODUCTION

Holmbury's HFB Series brass couplings are able to accommodate high flow rates and minimal pressure drops. The couplings are valveless, hence when disconnected any fluid in the system can escape. Suitable for non-hazardous fluids only.



CONSTRUCTION

- Brass body
- Fitted with NBR seals
- Available in carbon (HFC) and stainless steel (HFS) on request

FEATURES

- Valveless design allows for high flow rates and minimal pressure drop characteristics
- Bidirectional flow

ACCESSORIES

- Seal kits available for the HFB Series

SPECIFICATIONS

- Operating temperatures (with NBR seals): -40°C (-40°F) to 106°C (223°F)

APPLICATIONS

- Designed for use in pressure washer systems and systems containing non-hazardous fluids
- Carpet cleaners
- Steam washers
- Coolant lines
- Any non valved application

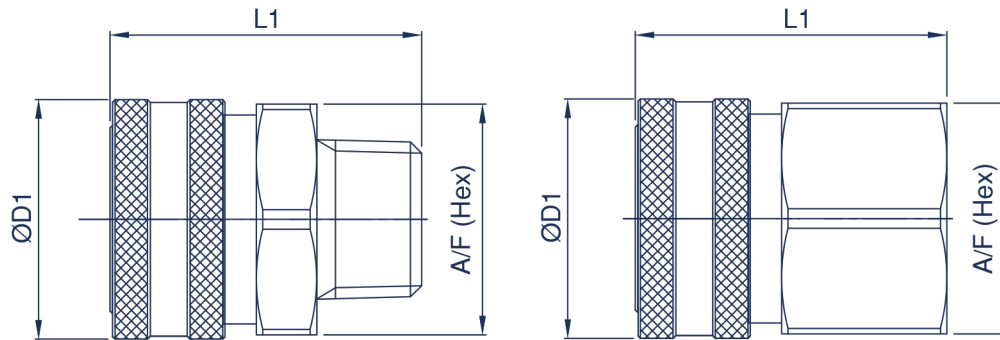
HFB PERFORMANCE CHARACTERISTICS

| Body Size | HFB06 | HFB10 | HFB12 | HFB19 | HFB25 |
|---|-------------------------------|-------|-------|-------|-------|
| | Pressure in bar - Flow in LPM | | | | |
| | Pressure in PSI - Flow in GPM | | | | |
| Brass working pressure (Coupled) | 360 | 185 | 150 | 120 | 85 |
| | 5220 | 2683 | 2175 | 1740 | 1233 |
| Brass coupling/ steel nipple working pressure (Coupled) | 380 | 240 | 185 | 185 | 140 |
| | 5510 | 3480 | 2683 | 2683 | 2030 |
| SS working pressure (Coupled) | 460 | 380 | 210 | 210 | 120 |
| | 6670 | 5510 | 3045 | 3045 | 1740 |
| Rated flow | 3 | 23 | 45 | 106 | 189 |
| | 0.8 | 6.1 | 12 | 28 | 50 |

SEAL KITS

- HFB06-F-SEAL KIT
- HFB10-F-SEAL KIT
- HFB12-F-SEAL KIT
- HFB19-F-SEAL KIT
- HFB25-F-SEAL KIT

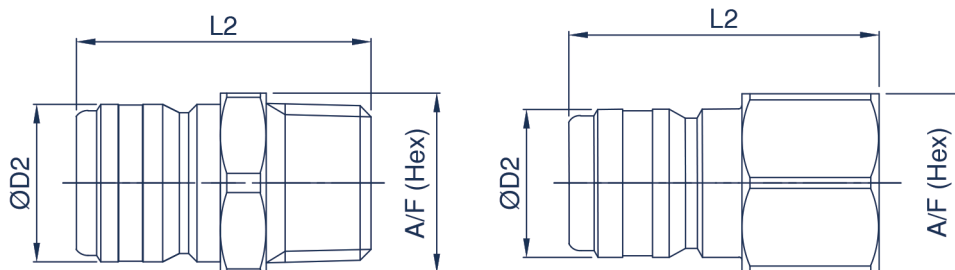
HFB, HFS, HFC Series



HFB FEMALE COUPLING

| Body Size | Part Number | Thread Size | D1 | | L1 | | A/F | |
|-----------|--------------|-------------|------|------|------|------|------|------|
| | | | mm | inch | mm | inch | mm | inch |
| 06 (1/4) | HFB06-F-04N | 1/4 NPTF | 24.0 | 0.94 | 37.3 | 1.47 | 20.5 | 0.81 |
| | HFB06-F-04NM | 1/4 NPTF | 24.0 | 0.94 | 44.0 | 1.73 | 20.5 | 0.81 |
| 10 (3/8) | HFB10-F-06N | 3/8 NPTF | 28.0 | 1.10 | 38.0 | 1.50 | 22.2 | 0.87 |
| | HFB10-F-06NM | 3/8 NPTF | 28.0 | 1.10 | 44.0 | 1.73 | 25.4 | 1.00 |
| 12 (1/2) | HFB12-F-08N | 1/2 NPTF | 33.5 | 1.32 | 41.3 | 1.63 | 28.5 | 1.12 |
| | HFB12-F-08NM | 1/2 NPTF | 33.5 | 1.32 | 49.6 | 1.95 | 29.0 | 1.14 |
| 19 (3/4) | HFB19-F-12N | 3/4 NPTF | 41.5 | 1.63 | 53.2 | 2.09 | 38.0 | 1.50 |
| | HFB19-F-12NM | 3/4 NPTF | 41.5 | 1.63 | 56.8 | 2.24 | 38.0 | 1.50 |
| 25 (1) | HFB25-F-16N | 1 NPTF | 51.0 | 2.01 | 53.0 | 2.09 | 44.5 | 1.75 |
| | HFB25-F-16NM | 1 NPTF | 51.0 | 2.01 | 66.3 | 2.61 | 44.5 | 1.75 |

HFB brass models listed. Substitute HFS for 316 stainless steel and HFC for carbon steel models



HFB MALE COUPLING

| Body Size | Part Number | Thread Size | D2 | | L2 | | A/F | |
|-----------|--------------|-------------|------|------|------|------|------|------|
| | | | mm | inch | mm | inch | mm | inch |
| 06 (1/4) | HFB06-M-04N | 1/4 NPTF | 11.8 | 0.46 | 34.0 | 1.34 | 17.5 | 0.69 |
| | HFB06-M-04NM | 1/4 NPTF | 11.8 | 0.46 | 38.0 | 1.50 | 14.3 | 0.56 |
| 10 (3/8) | HFB10-M-06N | 3/8 NPTF | 14.9 | 0.59 | 40.0 | 1.57 | 20.6 | 0.81 |
| | HFB10-M-06NM | 3/8 NPTF | 14.9 | 0.59 | 44.0 | 1.73 | 17.5 | 0.69 |
| 12 (1/2) | HFB12-M-08N | 1/2 NPTF | 18.0 | 0.71 | 44.6 | 1.76 | 25.4 | 1.00 |
| | HFB12-M-08NM | 1/2 NPTF | 18.0 | 0.71 | 48.6 | 1.91 | 22.0 | 0.87 |
| 19 (3/4) | HFB19-M-12N | 3/4 NPTF | 24.9 | 0.98 | 52.0 | 2.05 | 30.0 | 1.18 |
| | HFB19-M-12NM | 3/4 NPTF | 24.9 | 0.98 | 57.0 | 2.24 | 27.0 | 1.06 |
| 25 (1) | HFB25-M-16N | 1 NPTF | 33.3 | 1.31 | 59.6 | 2.35 | 38.0 | 1.50 |
| | HFB25-M-16NM | 1 NPTF | 33.3 | 1.31 | 61.0 | 2.40 | 34.0 | 1.34 |

For all other configurations or thread types please contact the sales office.



ROTARY COUPLINGS AND SWIVEL JOINTS

Rotary couplings and swivel joints are designed for use on hydraulic lines subject to torsional stress. Can also be used on hose reel applications.

The correct use of rotary couplings will increase the life of hydraulic lines.



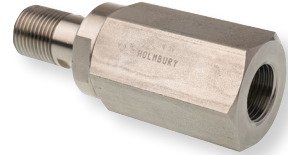
CRIL SERIES 130



CR90 Series 132



SSIL Series 134



SS90 SERIES 136



Est.

1984



Industrial range of in-line and 90° rotary and swivel joint couplings for multiple applications



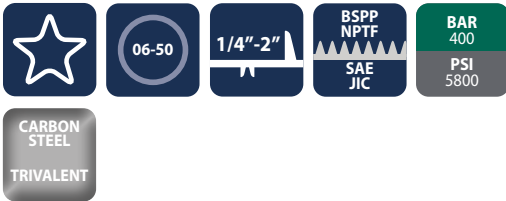
In-line rotary couplings

CRIL Series



INTRODUCTION

Holmbury's CRIL Series in-line rotary couplings are designed for in-line use on hydraulic circuits. Using a rotary coupling in the hydraulic line stops the hose twisting, limiting stress and increasing hose lifespan.



CONSTRUCTION

- Carbon steel with trivalent plating
- Fitted with NBR seals
- Also available in AISI 316 stainless steel (See SSIL Series, swivel joint)

FEATURES

- Reduces torsional forces
- Can also be used in applications that are required to rotate but not under pressure, such as hose reels
- Spindle is carried on a roller bearing and has a low friction shaft seal allowing rotation at maximum pressure with low torque

ACCESSORIES

- Not applicable

SPECIFICATIONS

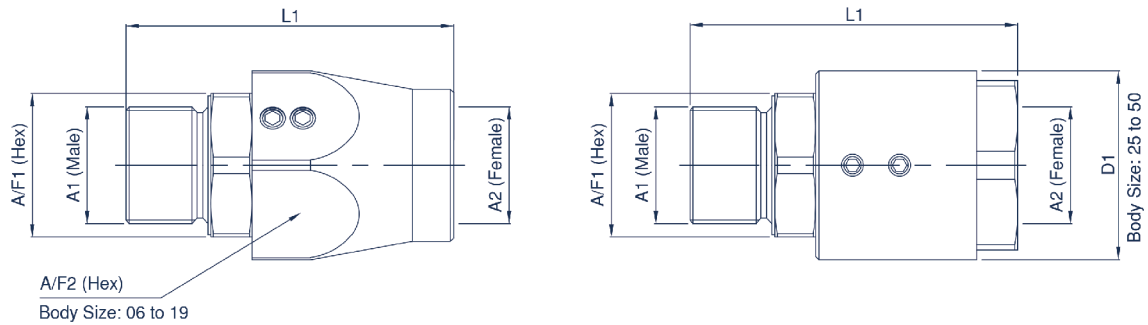
- Operating temperatures (with NBR seals): -40°C (-40°F) to 106°C (223°F)

APPLICATIONS

- General hydraulic systems
- Machine tools
- Test equipment
- Agricultural
- Mobile hydraulics

CRIL PERFORMANCE CHARACTERISTICS

| Body Size | CRIL06 | CRIL10 | CRIL12 | CRIL19 | CRIL25 | CRIL32 | CRIL40 | CRIL50 |
|--------------------------------|-------------------------------|--------|--------|--------|--------|--------|--------|--------|
| | Pressure in bar - Flow in LPM | | | | | | | |
| | Pressure in PSI - Flow in GPM | | | | | | | |
| Maximum working pressure | 400 | 400 | 360 | 310 | 280 | 250 | 210 | 180 |
| | 5800 | 5800 | 5220 | 4495 | 4060 | 3625 | 3045 | 2610 |
| Maximum flow rate | 25 | 45 | 80 | 120 | 150 | 200 | 250 | 300 |
| | 6.6 | 11.9 | 21.1 | 31.7 | 39.6 | 52.8 | 66.0 | 79.3 |
| Maximum rotational speed (RPM) | 500 | 400 | 370 | 280 | 230 | 200 | 170 | 140 |



CRIL SERIES

| Body Size | Part Number | A/F1 | | A1 x A2 Thread | L1 | | A/F2 or D1 | |
|------------|------------------|------|------|-------------------------|-------|------|------------|------|
| | | mm | inch | | mm | inch | mm | inch |
| 06 (1/4) | CRIL-06-04GM-04G | 19.0 | 0.75 | 1/4 BSPP x BSPP | 66.0 | 2.60 | 30.0 | 1.18 |
| | CRIL-06-04JM-04S | 19.0 | 0.75 | 7/16-20 JIC x SAE ORB | 65.0 | 2.56 | 30.0 | 1.18 |
| | CRIL-06-04NM-04N | 19.0 | 0.75 | 1/4 NPTF x NPTF | 66.0 | 2.60 | 30.0 | 1.18 |
| 10 (3/8) | CRIL-10-06GM-06G | 24.0 | 0.94 | 3/8 BSPP x BSPP | 69.0 | 2.72 | 34.0 | 1.34 |
| | CRIL-10-06JM-06S | 24.0 | 0.94 | 9/16-18 JIC x SAE ORB | 66.0 | 2.60 | 34.0 | 1.34 |
| | CRIL-10-06NM-06N | 24.0 | 0.94 | 3/8 NPTF x NPTF | 69.0 | 2.72 | 34.0 | 1.34 |
| 12 (1/2) | CRIL-12-08GM-08G | 27.0 | 1.06 | 1/2 BSPP x BSPP | 76.0 | 2.99 | 36.0 | 1.42 |
| | CRIL-12-08JM-08S | 27.0 | 1.06 | 3/4-16 JIC x SAE ORB | 74.0 | 2.91 | 36.0 | 1.42 |
| | CRIL-12-10JM-10S | 27.0 | 1.06 | 7/8-14 JIC x SAE ORB | 76.0 | 2.99 | 36.0 | 1.42 |
| | CRIL-12-08NM-08N | 27.0 | 1.06 | 1/2 NPTF x NPTF | 76.0 | 2.99 | 36.0 | 1.42 |
| 19 (3/4) | CRIL-19-12GM-12G | 34.0 | 1.34 | 3/4 BSPP x BSPP | 78.5 | 3.09 | 46.0 | 1.81 |
| | CRIL-19-12JM-12S | 34.0 | 1.34 | 1 1/16-12 JIC x SAE ORB | 81.0 | 3.19 | 46.0 | 1.81 |
| | CRIL-19-12NM-12N | 34.0 | 1.34 | 3/4 NPTF x NPTF | 78.5 | 3.09 | 46.0 | 1.81 |
| 25 (1) | CRIL-25-16GM-16G | 41.0 | 1.61 | 1 BSPP x BSPP | 92.5 | 3.64 | 59.0 | 2.32 |
| | CRIL-25-16JM-16S | 41.0 | 1.61 | 1 5/16-12 JIC x SAE ORB | 90.0 | 3.54 | 59.0 | 2.32 |
| | CRIL-25-16NM-16N | 41.0 | 1.61 | 1 NPTF x NPTF | 92.5 | 3.64 | 59.0 | 2.32 |
| 32 (1 1/4) | CRIL-32-20GM-20G | 50.0 | 1.97 | 1 1/4 BSPP x BSPP | 98.0 | 3.86 | 59.0 | 2.32 |
| | CRIL-32-20JM-20S | 50.0 | 1.97 | 1 5/8-12 JIC x SAE ORB | 98.3 | 3.87 | 59.0 | 2.32 |
| | CRIL-32-20NM-20N | 50.0 | 1.97 | 1 1/4 NPTF x NPTF | 98.0 | 3.86 | 59.0 | 2.32 |
| 40 (1 1/2) | CRIL-40-24GM-24G | 55.0 | 2.17 | 1 1/2 BSPP x BSPP | 107.0 | 4.21 | 69.0 | 2.72 |
| | CRIL-40-24JM-24S | 55.0 | 2.17 | 1 7/8-12 JIC x SAE ORB | 126.6 | 4.98 | 69.0 | 2.72 |
| | CRIL-40-24NM-24N | 55.0 | 2.17 | 1 1/2 NPTF x NPTF | 107.0 | 4.21 | 69.0 | 2.72 |
| 50 (2) | CRIL-50-32GM-32G | 70.0 | 2.76 | 2 BSPP x BSPP | 118.0 | 4.65 | 84.0 | 3.31 |
| | CRIL-50-32JM-32S | 70.0 | 2.76 | 2 1/2-12 JIC x SAE ORB | 175.6 | 6.91 | 84.0 | 3.31 |
| | CRIL-50-32NM-32N | 70.0 | 2.76 | 2 NPTF x NPTF | 118.0 | 4.65 | 84.0 | 3.31 |

For all other configurations or thread types please contact the sales office.



In-line and 90° rotary couplings

CR90 Series



INTRODUCTION

Holmbury's CR90 Series 90° rotary couplings are designed to reduce torsional stress caused by rotation of hose.



CONSTRUCTION

- Carbon steel with trivalent plating
- Fitted with NBR seals
- Also available in AISI 316 stainless steel (See SS90 Series, swivel joint)

FEATURES

- Reduces torsional forces
- Can also be used in applications that are required to rotate but not under pressure, such as hose reels
- Spindle is carried on a roller bearing and has a low friction shaft seal that can rotate at maximum pressure with low torque



ACCESSORIES

- Not applicable

SPECIFICATIONS

- Operating temperatures (with NBR seals): -40°C (-40°F) to 106°C (223°F)

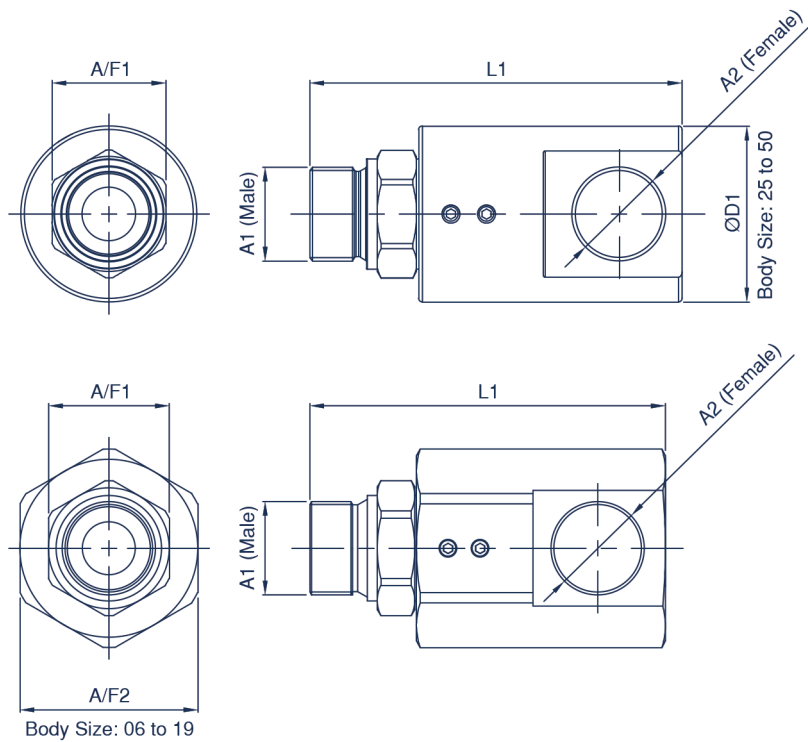
APPLICATIONS

- General hydraulic systems
- Machine tools
- Test equipment
- Agricultural
- Mobile hydraulics

CR90 PERFORMANCE CHARACTERISTICS

| Body Size | CR9006 | CR9010 | CR9012 | CR9019 | CR9025 | CR9032 | CR9040 | CR9050 |
|--------------------------------|-------------------------------|--------|--------|--------|--------|--------|--------|--------|
| | Pressure in bar - Flow in LPM | | | | | | | |
| | Pressure in PSI - Flow in GPM | | | | | | | |
| Maximum working pressure | 400 | 400 | 360 | 310 | 280 | 250 | 210 | 180 |
| | 5800 | 5800 | 5220 | 4495 | 4060 | 3625 | 3045 | 2610 |
| Maximum flow rate | 25 | 45 | 80 | 120 | 150 | 200 | 250 | 300 |
| | 6.6 | 11.9 | 21.1 | 31.7 | 39.6 | 52.8 | 66.0 | 79.3 |
| Maximum rotational speed (RPM) | 500 | 400 | 370 | 280 | 230 | 200 | 170 | 140 |

CR90 Series



CR90 SERIES

| Body Size | Part Number | A/F1 | | A1 x A2 Thread | L1 | | A/F2 or D1 | |
|-------------------|------------------|------|------|-------------------------|-------|------|------------|------|
| | | mm | inch | | mm | inch | mm | inch |
| 06 (1/4) | CR90-06-04GM-04G | 19.0 | 0.75 | 1/4 BSPP x BSPP | 72.0 | 2.83 | 30.0 | 1.18 |
| | CR90-06-04JM-04S | 19.0 | 0.75 | 7/16-20 JIC x SAE ORB | 71.0 | 2.80 | 30.0 | 1.18 |
| | CR90-06-04NM-04N | 19.0 | 0.75 | 1/4 NPTF x NPTF | 72.0 | 2.83 | 30.0 | 1.18 |
| 10 (3/8) | CR90-10-06GM-06G | 24.0 | 0.94 | 3/8 BSPP x BSPP | 79.0 | 3.11 | 34.0 | 1.34 |
| | CR90-10-06JM-06S | 24.0 | 0.94 | 9/16-18 JIC x SAE ORB | 77.0 | 3.03 | 34.0 | 1.34 |
| | CR90-10-06NM-06N | 24.0 | 0.94 | 3/8 NPTF x NPTF | 79.0 | 3.11 | 34.0 | 1.34 |
| 12 (1/2) | CR90-12-08GM-08G | 27.0 | 1.06 | 1/2 BSPP x BSPP | 90.0 | 3.54 | 36.0 | 1.42 |
| | CR90-12-08JM-08S | 27.0 | 1.06 | 3/4-16 JIC x SAE ORB | 88.0 | 3.46 | 36.0 | 1.42 |
| | CR90-12-10JM-10S | 27.0 | 1.06 | 7/8-14 JIC x SAE ORB | 90.0 | 3.54 | 36.0 | 1.42 |
| | CR90-12-08NM-08N | 27.0 | 1.06 | 1/2 NPTF x NPTF | 90.0 | 3.54 | 36.0 | 1.42 |
| 19 (3/4) | CR90-19-12GM-12G | 34.0 | 1.34 | 3/4 BSPP x BSPP | 100.0 | 3.94 | 46.0 | 1.81 |
| | CR90-19-12JM-12S | 34.0 | 1.34 | 1 1/16-12 JIC x SAE ORB | 102.0 | 4.02 | 46.0 | 1.81 |
| | CR90-19-12NM-12N | 34.0 | 1.34 | 3/4 NPTF x NPTF | 100.0 | 3.94 | 46.0 | 1.81 |
| 25 (1) | CR90-25-16GM-16G | 41.0 | 1.61 | 1 BSPP x BSPP | 123.0 | 4.84 | 59.0 | 2.32 |
| | CR90-25-16JM-16S | 41.0 | 1.61 | 1 5/16-12 JIC x SAE ORB | 121.0 | 4.76 | 59.0 | 2.32 |
| | CR90-25-16NM-16N | 41.0 | 1.61 | 1 NPTF x NPTF | 123.0 | 4.84 | 59.0 | 2.32 |
| 32 (1 1/4) | CR90-32-20GM-20G | 50.0 | 1.97 | 1 1/4 BSPP x BSPP | 134.0 | 5.28 | 78.0 | 3.07 |
| | CR90-32-20JM-20S | 50.0 | 1.97 | 1 5/8-12 JIC x SAE ORB | 137.3 | 5.41 | 78.0 | 3.07 |
| | CR90-32-20NM-20N | 50.0 | 1.97 | 1 1/4 NPTF x NPTF | 134.0 | 5.28 | 78.0 | 3.07 |
| 40 (1 1/2) | CR90-40-24GM-24G | 55.0 | 2.17 | 1 1/2 BSPP x BSPP | 138.0 | 5.43 | 89.0 | 3.50 |
| | CR90-40-24JM-24S | 55.0 | 2.17 | 1 7/8-12 JIC x SAE ORB | 142.5 | 5.61 | 89.0 | 3.50 |
| | CR90-40-24NM-24N | 55.0 | 2.17 | 1 1/2 NPTF x NPTF | 138.0 | 5.43 | 89.0 | 3.50 |
| 50 (2) | CR90-50-32GM-32G | 70.0 | 2.76 | 2 BSPP x BSPP | 159.0 | 6.26 | 98.0 | 3.86 |
| | CR90-50-32JM-32S | 70.0 | 2.76 | 2 1/2-12 JIC x SAE ORB | 166.5 | 6.56 | 98.0 | 3.86 |
| | CR90-50-32NM-32N | 70.0 | 2.76 | 2 NPTF x NPTF | 159.0 | 6.26 | 98.0 | 3.86 |

For all other configurations or thread types please contact the sales office.



Stainless steel in-line swivel joint couplings

SSIL Series



INTRODUCTION

Holmbury's SSIL Series stainless steel in-line swivel joint couplings are designed for in-line use on hydraulic circuits. Using a rotary coupling in the hydraulic line stops the hose twisting, limiting stress and increasing hose lifespan.



CONSTRUCTION

- AISI 316 stainless steel
- Fitted with FKM seals
- Also available in carbon steel as rotary coupling (See CRIL Series)

FEATURES

- Reduces torsional forces
- Can also be used in applications that are required to rotate but not under pressure, such as hose reels
- Spindle is carried on a roller bearing and has a low friction shaft seal that can rotate at maximum pressure with low torque

ACCESSORIES

- Not applicable

SPECIFICATIONS

- Operating temperatures (With FKM seals): -20°C (-4°F) to 200°C (392°F)

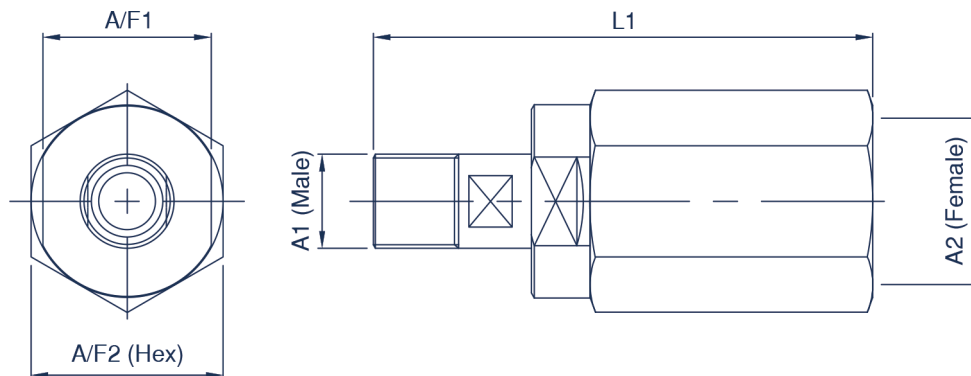
APPLICATIONS

- General hydraulic systems
- Machine tools
- Test equipment
- Offshore/onshore
- Mobile hydraulics

SSIL PERFORMANCE CHARACTERISTICS

| Body Size | SSIL06 | SSIL10 | SSIL12 | SSIL19 | SSIL25 | SSIL32 | SSIL40 | SSIL50 |
|--------------------------------|-------------------------------|--------|--------|--------|--------|--------|--------|--------|
| | Pressure in bar - Flow in LPM | | | | | | | |
| | Pressure in PSI - Flow in GPM | | | | | | | |
| Maximum working pressure | 350 | 300 | 300 | 250 | 250 | 180 | 150 | 150 |
| | 5075 | 4350 | 4350 | 3625 | 3625 | 2610 | 2175 | 2175 |
| Maximum flow rate | 25 | 45 | 80 | 120 | 150 | 200 | 250 | 300 |
| | 6.6 | 11.9 | 21.1 | 31.7 | 39.6 | 52.8 | 66.0 | 79.3 |
| Maximum rotational speed (RPM) | 10 | 10 | 10 | 10 | 10 | 10 | 10 | 10 |

SSIL Series



SSIL SERIES

| Body Size | Part Number | A/F1 | | A1 x A2 Thread | L1 | | A/F2 | |
|------------|------------------|------|------|-------------------|-------|------|------|------|
| | | mm | inch | | mm | inch | mm | inch |
| 06 (1/4) | SSIL-06-04GM-04G | 24.0 | 0.94 | 1/4 BSPP x BSPP | 75.0 | 2.95 | 27.0 | 1.06 |
| | SSIL-06-04NM-04N | 24.0 | 0.94 | 1/4 NPTF x NPTF | 75.0 | 2.95 | 27.0 | 1.06 |
| 10 (3/8) | SSIL-10-06GM-06G | 30.0 | 1.18 | 3/8 BSPP x BSPP | 88.0 | 3.46 | 34.0 | 1.34 |
| | SSIL-10-06NM-06N | 30.0 | 1.18 | 3/8 NPTF x NPTF | 88.0 | 3.46 | 34.0 | 1.34 |
| 12 (1/2) | SSIL-12-08GM-08G | 32.0 | 1.26 | 1/2 BSPP x BSPP | 101.0 | 3.98 | 36.0 | 1.42 |
| | SSIL-12-08NM-08N | 32.0 | 1.26 | 1/2 NPTF x NPTF | 101.0 | 3.98 | 36.0 | 1.42 |
| 19 (3/4) | SSIL-19-12GM-12G | 40.0 | 1.57 | 3/4 BSPP x BSPP | 110.0 | 4.33 | 45.0 | 1.77 |
| | SSIL-19-12NM-12N | 40.0 | 1.57 | 3/4 NPTF x BSPP | 110.0 | 4.33 | 45.0 | 1.77 |
| 25 (1) | SSIL-25-16GM-16G | 50.0 | 1.97 | 1 BSPP x BSPP | 124.0 | 4.88 | 55.0 | 2.17 |
| | SSIL-25-16NM-16N | 50.0 | 1.97 | 1 NPTF x NPTF | 124.0 | 4.88 | 55.0 | 2.17 |
| 32 (1 1/4) | SSIL-32-20GM-20G | 55.0 | 2.17 | 1 1/4 BSPP x BSPP | 129.0 | 5.08 | 60.0 | 2.36 |
| | SSIL-32-20NM-20N | 55.0 | 2.17 | 1 1/4 NPTF x NPTF | 129.0 | 5.08 | 60.0 | 2.36 |
| 40 (1 1/2) | SSIL-40-24GM-24G | 68.0 | 2.68 | 1 1/2 BSPP x BSPP | 138.0 | 5.43 | 75.0 | 2.95 |
| | SSIL-40-24NM-24N | 68.0 | 2.68 | 1 1/2 NPTF x NPTF | 138.0 | 5.43 | 75.0 | 2.95 |
| 50 (2) | SSIL-50-32GM-32G | 80.0 | 3.15 | 2 BSPP x BSPP | 149.0 | 5.87 | 85.0 | 3.35 |
| | SSIL-50-32NM-32N | 80.0 | 3.15 | 2 NPTF x NPTF | 149.0 | 5.87 | 85.0 | 3.35 |

For all other configurations or thread types please contact the sales office.



Stainless steel 90° swivel joint couplings

SS90 Series



INTRODUCTION

Holmbury's SS90 Series stainless steel 90° swivel joint couplings are designed for use on hydraulic lines that may be subject to torsional stress caused by rotation of hose.



CONSTRUCTION

- AISI 316 stainless steel
- Fitted with FKM seals
- Also available in carbon steel as rotary coupling (See CR90 Series)

FEATURES

- Reduces torsional forces
- Can also be used in applications that are required to rotate but not under pressure, such as hose reels
- Spindle is carried on a roller bearing and has a low friction shaft seal that can rotate at maximum pressure with low torque

ACCESSORIES

- Not applicable

SPECIFICATIONS

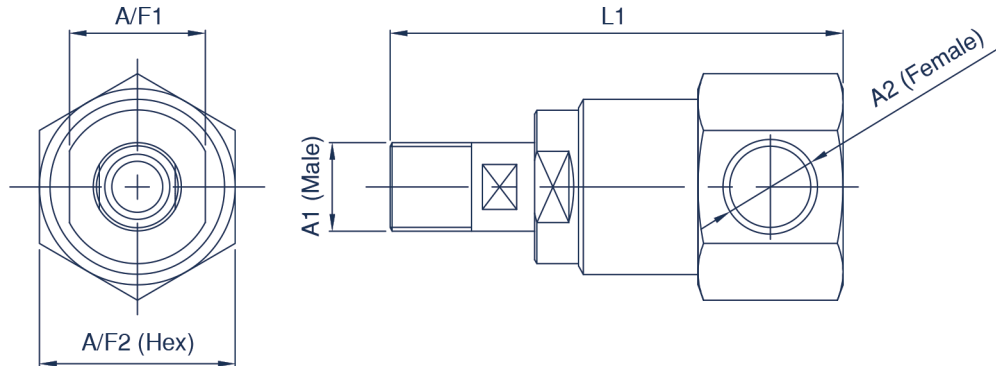
- Operating temperatures (With FKM seals): -20°C (-4°F) to 200°C (392°F)

APPLICATIONS

- General hydraulic systems
- Machine tools
- Test equipment
- Offshore/onshore
- Mobile hydraulics

SS90 PERFORMANCE CHARACTERISTICS

| Body Size | SS9006 | SS9010 | SS9012 | SS9019 | SS9025 | SS9032 | SS9040 | SS9050 |
|--------------------------------|-------------------------------|--------|--------|--------|--------|--------|--------|--------|
| | Pressure in bar - Flow in LPM | | | | | | | |
| | Pressure in PSI - Flow in GPM | | | | | | | |
| Maximum working pressure | 350 | 300 | 300 | 250 | 250 | 180 | 150 | 150 |
| | 5075 | 4350 | 4350 | 3625 | 3625 | 2610 | 2175 | 2175 |
| Maximum flow rate | 25 | 45 | 80 | 120 | 150 | 200 | 250 | 300 |
| | 6.6 | 11.9 | 21.1 | 31.7 | 39.6 | 52.8 | 66.0 | 79.3 |
| Maximum rotational speed (RPM) | 10 | 10 | 10 | 10 | 10 | 10 | 10 | 10 |



SS90 SERIES

| Body Size | Part Number | A/F1 | | A1 x A2 Thread | L1 | | A/F2 | |
|------------|------------------|------|------|-------------------|-------|------|------|------|
| | | mm | inch | | mm | inch | mm | inch |
| 06 (1/4) | SS90-06-04GM-04G | 21.0 | 0.83 | 1/4 BSPP x BSPP | 78.0 | 3.07 | 32.0 | 1.26 |
| | SS90-06-04NM-04N | 21.0 | 0.83 | 1/4 NPTF x NPTF | 78.0 | 3.07 | 32.0 | 1.26 |
| 10 (3/8) | SS90-10-06GM-06G | 27.0 | 1.06 | 3/8 BSPP x BSPP | 98.0 | 3.86 | 36.0 | 1.42 |
| | SS90-10-06NM-06N | 27.0 | 1.06 | 3/8 NPTF x NPTF | 98.0 | 3.86 | 36.0 | 1.42 |
| 12 (1/2) | SS90-12-08GM-08G | 32.0 | 1.26 | 1/2 BSPP x BSPP | 106.0 | 4.17 | 46.0 | 1.81 |
| | SS90-12-08NM-08N | 32.0 | 1.26 | 1/2 NPTF x NPTF | 106.0 | 4.17 | 46.0 | 1.81 |
| 19 (3/4) | SS90-19-12GM-12G | 37.0 | 1.46 | 3/4 BSPP x BSPP | 118.0 | 4.65 | 50.0 | 1.97 |
| | SS90-19-12NM-12N | 37.0 | 1.46 | 3/4 NPTF x NPTF | 118.0 | 4.65 | 50.0 | 1.97 |
| 25 (1) | SS90-25-16GM-16G | 46.0 | 1.81 | 1 BSPP x BSPP | 142.0 | 5.59 | 60.0 | 2.36 |
| | SS90-25-16NM-16N | 46.0 | 1.81 | 1 NPTF x NPTF | 142.0 | 5.59 | 60.0 | 2.36 |
| 32 (1 1/4) | SS90-32-20GM-20G | 55.0 | 2.17 | 1 1/4 BSPP x BSPP | 155.0 | 6.10 | 60.0 | 2.36 |
| | SS90-32-20NM-20N | 55.0 | 2.17 | 1 1/4 NPTF x NPTF | 155.0 | 6.10 | 60.0 | 2.36 |
| 40 (1 1/2) | SS90-40-24GM-24G | 70.0 | 2.76 | 1 1/2 BSPP x BSPP | 170.0 | 6.69 | 75.0 | 2.95 |
| | SS90-40-24NM-24N | 70.0 | 2.76 | 1 1/2 NPTF x NPTF | 170.0 | 6.69 | 75.0 | 2.95 |
| 50 (2) | SS90-50-32GM-32G | 80.0 | 3.15 | 2 BSPP x BSPP | 190.0 | 7.48 | 90.0 | 3.54 |
| | SS90-50-32NM-32N | 80.0 | 3.15 | 2 NPTF x NPTF | 190.0 | 7.48 | 90.0 | 3.54 |

For all other configurations or thread types please contact the sales office.

BRITISH ENGINEERING - GLOBAL PRODUCTION - WORLD CLASS

HOLMBURY LTD, TERMS & CONDITIONS OF SALE

1. DEFINITIONS: In these Conditions "Holmbury" shall mean Holmbury Limited., "The Customer" shall mean the person or persons or firm or company to whom any quotation is addressed or with whom any contract is made and "the Goods" shall mean the goods or any part thereof, agreed to be sold as described on the face hereof, and any repaired, replaced or spare part. "The Delivery Date" shall mean the date notified to the Customer by Holmbury under Clause 4 (c) hereof. **2. CONTRACT:** (a) All quotations given and all contracts made by Holmbury are subject to these terms, conditions and exceptions contained herein, and all conditions and exceptions referred to by the Customer or contained in any order, acceptance of estimate or quotation, or otherwise brought to Holmbury's notice are hereby excluded. (b) Quotations issued by Holmbury are not offers capable of acceptance so as to make a binding contract. All orders placed with Holmbury require its acceptance before any contract arises. Any delivery period shall run from the date of such acceptance. (c) No servant or agent of Holmbury has any authority to make any representation, or to give any warranty relating to the Goods or to agree to any variation of, or addition to these conditions, unless such representation, warranty, variation or addition is expressed in writing and signed on behalf of Holmbury by a Director and is incorporated or referred to in Holmbury's quotation or acceptance of order. (d) These conditions, together with any special terms and conditions specified on the quotation or acceptance of order issued by Holmbury and any drawings plans or other documents referred to therein, shall on acceptance by Holmbury of the Customer's order constitute the entire agreement between Holmbury and the Customer to the exclusion of any antecedent or contemporaneous written or oral understandings, agreements or representations in respect of the supply of the Goods. **3. PRICES AND PAYMENT:** (a) All prices quoted in the contract are F.O.B the port of shipment selected by Holmbury or ex Holmbury's warehouse or otherwise as may be specified in Holmbury's quotation or acceptance of order and are those prevailing at the time of the contract, but the prices ruling at the date of delivery shall apply and shall be paid by the Customer. (b) Holmbury may add to the prices quoted in the contract a sum sufficient to compensate Holmbury for any increase in the cost to Holmbury of producing the Goods occurring after the date of the quotation (including, but not limited to increases in the costs of labour, raw materials, bought in parts, transport and overheads) and to preserve Holmbury's profit margin. (c) If work is suspended or slowed down because of the Customer's instructions, lack of instructions or failure to supply specifications or parts, additional charges may be made. (d) Unless the prices quoted in the contract are expressly shown to include Value Added Tax, all prices are subject to the addition of such Tax, where applicable. (e) Unless otherwise agreed in writing with the Customer or stated on the face hereof the price of the Goods shall be paid to Holmbury in full in cash not later than the tenth day of the month following the date of Holmbury's invoice in respect of the Goods. Interest shall be due and payable to Holmbury for late payment at the rate of 6% per annum from the due date of payment of Holmbury's invoice (As well as before any judgement) until payment is actually received by Holmbury. (f) All amounts due to Holmbury in respect of the supply of the Goods shall be paid at the offices of Holmbury Ltd at Premier House, 1 Vale Rise, Tonbridge, Kent TN9 1TB. (g) If where the price payable in respect of the Goods is due otherwise than in advance of or on delivery of the Goods, in the reasonable opinion of Holmbury the credit rating of the Customer becomes unsatisfactory prior to delivery, or if the Customer fails to perform or observe any obligations on his part to be performed or observed under this or any other contract made with Holmbury, Holmbury shall be entitled at its discretion to delay delivery of the Goods until payment therefore is rendered by the Customer or until such obligations are duly performed or observed or by notice in writing to the Customer unilaterally to cancel the contract for the supply of Goods. **4. DELIVERY AND RISKS:** (a) Delivery is to take place F.O.B the port of shipment selected by Holmbury or ex Holmbury's warehouse as may be specified in Holmbury's quotation or acceptance of order, unless otherwise specified by Holmbury and the risks of damage to or destruction of the Goods shall thereupon pass to the Customer. Where delivery is delayed due to any act of the Customer for whatever reason, such risk shall pass on the date on which delivery would have taken place for such act. (b) Any delivery date or delivery period, whether stated in the contract or otherwise notified to the Customer is an estimate only and Holmbury shall not be liable for any loss or damage whatsoever caused by the failure to make delivery on such date or within such period. **5. PROPERTY:** (a) Although risk in Goods shall pass to the Customer, as provided in Clause 4 above, property in the Goods shall not then pass to the Customer but shall remain in Holmbury until the Customer has paid to Holmbury all sums owing or due to Holmbury on any account whatsoever and has duly performed or observed all obligations of whatsoever kind on his part to be performed or observed under this or any other contract made with Holmbury provided that always that the Customer shall indemnify Holmbury against all claims, demands, damages, penalties, costs, expenses or liabilities arising out of or in connection with Holmbury's continued ownership of the Goods. (b) Whilst the Goods remain the property of Holmbury, Holmbury may retake possession of them at any time without notice to the Customer and for this purpose Holmbury may be its servants or agents enter upon any land or premises where it believes the Goods may be. (c) The Customer may sell the Goods and deliver them to the purchaser thereof provide that the Customer does so in the ordinary course of its business. Notwithstanding any agreement or provision for the granting of credit by Holmbury to the Customer, the Customer shall account to Holmbury for the proceeds of such sale, and pending such accounting shall hold such proceeds of sale as fiduciary for Holmbury. If Holmbury so requires, the Customer will assign any debt due from such purchaser to Holmbury. (d) The provision of Clause 5(A), (B) and (C) above shall continue to apply to the Goods notwithstanding any admixture with other Goods or other use or transformation of the Goods by any process of manufacture. **6. STORAGE:** Holmbury shall be entitled to store the Goods, either at their own premises or elsewhere at the Customer's expense in the following circumstances: (A) If the Goods are delivered F.O.B or ex Holmbury's warehouse, where the Customer fails to take delivery on the due date: or (b) If the Goods are delivered by the Customer to a specified place: (i) Where Holmbury is ready to despatch the Goods, but needs delivery instructions and such instructions have not been provided by the Customer; or (ii) Where Holmbury is ready to despatch the Goods and the Customer is or will be unable to accept delivery when tendered. **7. ALTERATIONS AND IMPROVEMENTS:** (a) Holmbury or its sub-contractors may carry out without notice to the Customer alterations or improvements in design, materials, or methods of manufacture from time to time, and may substitute other reasonably similar parts for any proprietary or special part ordered by the Customer, which Holmbury or its sub-contractors considers to be unprocurable, or unprocurable in sufficient quantities or unprocurable in sufficient time or procurable with difficulty or at an excessive cost. (b) Further Holmbury may supersede, materially alter or abandon the design or type of the Goods contracted for, and may substitute another design or type. In exercising this right, Holmbury shall give written notice to the Customer and the Customer may within 14 days after such notice is given, terminate the contract by giving notice to Holmbury. If the contract is so terminated, the deposit, if any, shall be returned to the Customer, but no other claim for loss or damage may be made. (c) If, in the opinion of Holmbury, there is no design or type which could reasonably be substituted under sub-clause (b) of this clause Holmbury's obligation to complete performance or the contract shall be suspended until such time as a substitute therefore can be found and becomes available. **8. LIABILITY FOR DEFECTS:** (a) If any defect is discovered in the Goods within twelve months of their delivery or the date up to which delivery could have been made to the customer, and is shown to be due solely to defective materials or workmanship or to the failure of the Goods to perform in accordance with any plans or specifications referred to in Holmbury's quotation or acceptance of order (subject to customarily accepted tolerance) then Holmbury will at its own option, either repair or replace the defective part or parts of the Goods (or will allow the Customer credit for the price paid in respect of the Goods), and Holmbury will make no charge for any such repair or replacement. These conditions shall apply to repaired or replaced parts. (b) The undertaking given in sub-clause (a) of this clause is subject to the provisions of Clause 9 and 10 below and to the following conditions: (i) That the Customer shall return the defective part or parts of the Goods to Holmbury's works (or to such other place as Holmbury may specify), as soon as after discovery of the defect as is reasonably practicable, and in any event not later than 28 days after discovery of the defect; (ii) That the cost of transporting the defective part or parts of the Goods to and from Holmbury's works shall be paid by the Customer; (iii) That the Customer shall give written notice to Holmbury specifying the nature of the defects in the part or parts of the Goods so returned; (iv) That the Goods had been used and maintained properly and carefully and in accordance with any instruction issued by Holmbury. (c) The undertaking contained in sub-clause (a) does not apply to goods or any part of goods not manufactured by Holmbury. In the case of such goods, Holmbury will use its best endeavours to pass on to the Customer the benefit of any guarantee, condition, warranty or servicing arrangement received by Holmbury from the manufacturer of such goods, but Holmbury shall be under no liability whatsoever, for any defect in such goods. (d) In the case of a part or parts being replaced under the provisions of this clause, the original of such part or parts shall become the property of Holmbury without payment. (e) Save as above provided, Holmbury shall be under no liability by reason of the manufacture, sale or delivery of any goods which do not comply with or have not been made to comply with, the specification or description applicable to this contract, and the Customer accepts Holmbury's obligation above in lieu of any remedy or right he might otherwise have in respect of such delivery, notwithstanding that failure to provide goods which comply with the contract, or which have been made so to comply, be due to negligence on the part of Holmbury, its servants, agent, sub-contractors or others. **9. EXCLUSIONS:** (a) subject to clause 8 hereof, all conditions and warranties in respect of the Goods relating to quality, fitness for purpose, merchantability or otherwise, whether implied by statute or by common law or otherwise, are hereby excluded. (b) Without prejudice to the generality of the foregoing, any warranty or condition as to performance or suitability for any particular purpose of the Goods, and in particular any warrant or condition that the specification design or other details of the Goods will meet any particular requirement of any national or local authority or regulations or bye-laws affecting the same, except as agreed in writing with the customer, in respect of any such requirements regulations or bye-laws notified to Holmbury by the Customer on or before the making of the contract is hereby excluded. **10. PRODUCT LIABILITY AND CONSEQUENTIAL LOSS:** (a) **The Customers will, on or before delivery of the Goods as herein provided, if so requested by Holmbury, enter into a written undertaking to take such steps as may be specified to the Customer by Holmbury, and set out in such undertaking relating to the safe and proper use of the Goods, without risk to health. The Customer shall indemnify Holmbury in respect of any liability, monetary penalty, or fine in respect of, or in connection with, the Goods incurred by Holmbury under the Health and Safety at Work Act 1974 or any statutory modification or re-enactment thereof or any regulations orders or directions made thereunder. (b) In no circumstances, whatsoever shall Holmbury be liable in contract or tort or otherwise for any consequential or indirect damage or loss, howsoever caused. **11. DAMAGES:** In the event, Holmbury's liability to the customer in respect of the consequences of any breach or non-performance of this contract however caused or arising, shall be limited to the price of the goods. **12. DRAWINGS, DESCRIPTION, ETC.:** All drawings, photographs, illustrations, specifications, performance data, dimensions, weights and all the like, whether contained in the contract or made by way of representation, have been provided by Holmbury in the belief that they are as accurate as reasonably possible, but they do not constitute a description of the Goods, shall not be taken to be representations made by Holmbury, and are not warranted to be accurate. **13. TERMINATION OF THE CONTRACT:** (a) Without prejudice to any other rights which Holmbury may have, Holmbury shall be entitled, on giving written notice to the Customer, to determine any contract forthwith demand immediate payment of any amount due or accruing due to Holmbury thereunder, and to retain any deposits if any of the following circumstances occur: (i) The Customer, not being a body corporate, becomes bankrupt or compounds or makes any arrangements with his creditors or commits any act of bankruptcy; (ii) The Customer, being a body corporate goes into liquidation whether compulsory or voluntary (save for the purpose of reconstruction or amalgamation) or has a receiver appointed, of its undertaking or assets or any part thereof. (b) On termination of the contract by Holmbury under sub-clause (a) of this clause, Holmbury shall have a general lien over all materials and property belonging to the Customer, which are in the possession of Holmbury for any sum due under, or in connection with, this contract or any other contract. Holmbury shall be entitled to sell such materials or property and to re-sell the Goods. **14. FORCE MAJEURE:** In the event of any delay affecting the performance of this contract by reason of any cause arising from, or attributable to acts, events, the non-occurrence of events, omissions or other accidents or matters beyond the reasonable control of Holmbury, including but not limited to the following matters, whether affecting Holmbury's own operation or those of any supplier, sub-contractor or transport contractor: (i) Strikes, lockouts or any other labour disputes (regardless of the reasonableness of the demands of labour or management's or shortage of labour); (ii) Civil commotion, riots, invasion, war or warlike state (Whether war be declared or not) or the breaking off of diplomatic relations or sabotage; (iii) Fire, explosion, storm, flood, earthquake, fog, subsidence, epidemics; (iv) Voluntary or mandatory compliance with any directions or order of any person having or appearing to have authority of the Government, whether local or national, for defence or other statutory or national purposes; (v) Inability, difficulty or delay in obtaining, or shortages of suitable raw materials, equipment, fuel, power, components or transportation. Holmbury shall be under no liability for loss or injury suffered by the Customer thereby; and the contract shall be suspended during such delay, upon the cessation of the cause of the delay, the contract shall again become operative, provided that, if as a result of such delay, a modification of the terms of the contract or cancellation thereof is requested by one party, and it is reasonable that such modification or cancellation should be made, the contract shall be so modified or cancelled, and the in the case of cancellation a proper proportion of the price shall be paid for any expenditure incurred by Holmbury or any benefit conferred upon the Customer. **15. INDUSTRIAL PROPERTY:** The Customer shall indemnify Holmbury from all claims, demands, damage, penalties, costs, expenses or liability in respect of the infringement of any letters patent, registered design, design copyright, copyright or other industrial property right or breach of confidence (not being a breach by Holmbury), resulting from or arising in the performance of this contract or of any contract in accordance with the terms of this contract. Holmbury does not warrant that the supply or use of the Goods in the United Kingdom or elsewhere is not an infringement of the rights of third parties in industrial property. **16. MISCELLANEOUS:** If any of these conditions, or any part of one of these Conditions is rendered void by any legislation to which it is subject, it shall be void to the extent and no further. If any of these Conditions or any part of one of these Conditions is rendered unenforceable by any legislation to which it is subject, it shall be enforceable to the extent that it is not a fair or reasonable one to be included but no further. **17. LEGAL CONSTRUCTION:** Unless otherwise agreed in writing, this contract shall in all respects be construed and governed by the Law of England, and the Customer submits to the jurisdiction of the Courts of England.**

HOLMBURY, INC. TERMS & CONDITIONS OF SALE

1: DEFINITIONS In these Terms and Conditions "Holmbury" shall mean Holmbury Inc. a Delaware Corporation, "the Customer" shall mean the person or persons or firm or company to whom any quotation is addressed or with whom any contract is made and "the Goods" shall mean the goods or any part thereof, agreed to be sold as described on the face hereof, and any repaired, replaced or spare part. "The Delivery Date" shall mean the date notified to the Customer by Holmbury under Clause 4 hereof. **2: CONTRACT** (a) All quotations given, and all contracts made by Holmbury are subject to these terms, conditions, and exceptions contained herein, and all conditions and exceptions referred to by the Customer or contained in any order, acceptance of estimate or quotation, or otherwise brought to Holmbury's notice are hereby excluded. (b) Quotations issued by Holmbury are not offers capable of acceptance so as to make a binding contract. All orders placed with Holmbury require its acceptance before any contract arises. Any delivery period shall run from the date of such acceptance. (c) No servant or agent of Holmbury has any authority to make any representation, or to give any warranty relating to the Goods or to agree to any variation of, or addition to these conditions, unless such representation, warranty, variation, or addition is expressed in writing and signed on behalf of Holmbury by a duly appointed officer and is incorporated or referred to in Holmbury's quotation or acceptance of order. (d) These conditions, together with any special terms and conditions specified on the quotation, or acceptance of order issued by Holmbury and any drawings plans, or other documents referred to therein, shall on acceptance by Holmbury of the Customer's order constitute the entire agreement between Holmbury and the Customer to the exclusion of any antecedent or contemporaneous written or oral understandings, agreements, or representations in respect of the supply of the Goods. **3: PRICES AND PAYMENT** (a) All prices quoted in the contract are F.O.B. the port of shipment selected by Holmbury or ex Holmbury's warehouse or otherwise as may be specified in Holmbury's quotation or acceptance of order and are those prevailing at the time of the contract, but the prices ruling at the date of delivery shall apply and shall be paid by the Customer. Holmbury may add to the prices quoted in the contract a sum sufficient to compensate Holmbury for any increase in the cost to Holmbury of producing the Goods occurring after the date of the quotation (including, but not limited to increases in the costs of labor, raw materials, bought in parts, transport and overheads) and to preserve Holmbury's profit margin. (b) If work is suspended or slowed down because of the Customer's instructions, lack of instructions, or failure to supply specifications or parts, additional charges may be made. (c) Unless the prices quoted in the contract are expressly shown to include Sales Tax, all prices are subject to the addition of such Tax (where applicable). (d) Unless otherwise agreed in writing with the Customer or stated on the face of any Quotation, Purchase Order, Acknowledgment or Invoice, the price of the Goods shall be paid to Holmbury in full in cash not later than thirty (30) days following the date of Holmbury's invoice in respect of the Goods. Interest shall be due and payable to Holmbury for late payment at the rate of 6% per annum from the due date of payment of Holmbury's invoice (as well as before any judgement) until payment is actually received by Holmbury. (e) All amounts due to Holmbury in respect of the supply of the Goods shall be paid at the offices of Holmbury, Inc. at 33801 Curtis Boulevard, Suite 104, Eastlake, Ohio 44095. (f) If where the price payable in respect of the Goods is due otherwise than in advance of or on delivery of the Goods, in the reasonable opinion of Holmbury, the credit rating of the Customer becomes unsatisfactory prior to delivery, or if the Customer fails to perform or observe any obligations on his part to be performed or observed under this or any other contract made with Holmbury, Holmbury shall be entitled at its discretion to delay delivery of the Goods until payment therefore is rendered by the Customer or until such obligations are duly performed or observed or by notice in writing to the Customer unilaterally to cancel the contract for the supply of Goods. **4: DELIVERY AND RISKS** (a) Delivery is to take place F.O.B. the port of shipment selected by Holmbury or ex Holmbury's warehouse as may be specified in Holmbury's quotation or acceptance of order, unless otherwise specified by Holmbury, and the risks of damage to or destruction of the Goods shall thereupon pass to the Customer. If delivery is delayed due to any act of the Customer for whatever reason, such risk shall pass on the date on which delivery would have taken place but for such act. (b) Any delivery date or delivery period, whether stated in the contract or otherwise notified to the Customer is an estimate only and Holmbury shall not be liable for any loss or damage whatsoever caused by the failure to make delivery on such date or within such period. **5: PROPERTY** (a) Although risk in Goods shall pass to the Customer, as provided in Clause 4 above, title to the Goods shall not then pass to the Customer, but shall remain in Holmbury until the Customer has paid to Holmbury all sums owing or due to Holmbury on any account whatsoever and has duly performed or observed all obligations of whatsoever kind on Customer's part to be performed or observed under this or any other contract made with Holmbury provided always that the Customer shall indemnify Holmbury against all claims, demands, damages, penalties, costs, expenses or liabilities arising out of or in connection with Holmbury's continued ownership of the Goods. (b) While the Goods remain the property of Holmbury, Holmbury may retake possession of them at any time without notice to the Customer and for this purpose Holmbury may by its servants or agents enter upon any land or premises where it believes the Goods may be in order to possess such Goods. (c) The Customer may sell the Goods and deliver them to the purchaser thereof provided that the Customer does so in the ordinary course of its business. Notwithstanding any agreement or provision for the granting of credit by Holmbury to the Customer, the Customer shall account to Holmbury for the proceeds of such sale, and pending such accounting, shall hold such proceeds of sale as fiduciary for Holmbury. If Holmbury so requires, the Customer will assign any debt due from such purchaser to Holmbury. (d) The provision of Clause 5(a), (b) and (c) above shall continue to apply to the Goods notwithstanding any admixture with other Goods or other use or transformation of the Goods by any process of manufacture. **6: STORAGE** Holmbury shall be entitled to store the Goods, either at their own premises or elsewhere at the Customer's expense, in the following circumstances: (a) if the Goods are delivered F.O.B. ex Holmbury's warehouse, where the Customer fails to take delivery on the due date: or (b) if the Goods are delivered by the Customer to a specified place: (i) where Holmbury is ready to transport the Goods, but needs delivery instructions and such instructions have not been provided by the Customer; or (ii) where Holmbury is ready to transport the Goods and the Customer is or will be unable to accept delivery when tendered. **7: ALTERATIONS AND IMPROVEMENTS** (a) Holmbury or its sub-contractors may carry out without notice to the Customer alterations or improvements in design, materials, or methods of manufacture from time to time, and may substitute other reasonably similar parts for any proprietary or special part ordered by the Customer, which Holmbury or its sub-contractors considers to be unprocureable, or unprocureable in sufficient quantities or unprocureable in sufficient time or procurable with difficulty or at an excessive cost. (b) Further, Holmbury may supersede, materially alter, or abandon the design or type of the Goods contracted for and may substitute another design or type. In exercising this right, Holmbury shall give written notice to the Customer and the Customer may within 14 days after such notice is given, terminate the contract by giving notice to Holmbury. If the contract is so terminated, the deposit, if any, shall be returned to the Customer, but no other claim for loss or damage may be made. (c) If, in the opinion of Holmbury, there is no design or type which could reasonably be substituted under sub-clause (b) of this clause Holmbury's obligation to complete performance or the contract shall be suspended until such time as a substitute therefore can be found and becomes available. **8: WARRANTY** (a) If any defect is discovered in the Goods within twelve months of their delivery or the date up to which delivery could have been made to the customer, and is shown to be due solely to defective materials or workmanship or to the failure of the Goods to perform in accordance with any plans or specifications referred to in Holmbury's quotation or acceptance of order (subject to customarily accepted tolerance) then Holmbury will at its own option, either repair or replace the defective part or parts of the Goods (or will allow the Customer credit for the price paid in respect of the Goods), and Holmbury will make no charge for any such repair or replacement. These conditions shall apply to repaired or replaced parts. EXCEPT AS SPECIFICALLY STATED IN THIS SECTION, THE SALE SHALL BE "AS-IS" AND HOLMBURY MAKES NO OTHER WARRANTIES EXPRESSED OR IMPLIED, INCLUDING, BUT NOT LIMITED TO, WARRANTIES AS TO THE NON-INFRINGEMENT, MERCHANTABILITY OR AS TO THE FITNESS OF THE GOODS FOR ANY PARTICULAR USE OR PURPOSE, AND HOLMBURY SHALL NOT BE LIABLE FOR ANY LOSS OR DAMAGE, DIRECTLY OR INDIRECTLY, ARISING FROM THE USE OF SUCH GOODS. (b) The undertaking given in sub-clause (a) of this clause is subject to the provisions of Clause 9 and 10 below and to the following conditions: (i) That the Customer shall return the defective part or parts of the Goods to Holmbury's works (or to such other place as Holmbury may specify), as soon as after discovery of the defect as is reasonably practicable, and in any event not later than 28 days after discovery of the defect; (ii) that the cost of transporting the defective part or parts of the Goods to and from Holmbury's works shall be paid by the Customer; (iii) that the Customer shall give written notice to Holmbury specifying the nature of the defects in the part or parts of the Goods so returned; (iv) that the Goods had been used and maintained properly and carefully and in accordance with any instruction issued by Holmbury. (c) The undertaking contained in sub-clause (a) does not apply to goods or any part of goods not manufactured by Holmbury. In the case of such goods, Holmbury will use its best efforts to pass on to the Customer the benefit of any guarantee, condition, warranty or servicing arrangement received by Holmbury from the manufacturer of such goods, but Holmbury shall be under no liability whatsoever, for any defect in such goods. (d) In the case of a part or parts being replaced under the provisions of this clause, the original of such part or parts shall become the property of Holmbury without payment. **9: EXCLUSIONS** (a) Subject to clause 8 hereof, all conditions and warranties in respect of the Goods relating to quality, fitness for purpose, merchantability or otherwise, whether implied by statute or by common law or otherwise, are hereby excluded. (b) Without prejudice to the generality of the foregoing, any warranty or condition as to performance or suitability for any particular purpose of the Goods, and in particular any warrant or condition that the specification design or other details of the Goods will meet any particular requirement of any national or local authority or regulations or bye-laws affecting the same, except as agreed in writing with the customer, in respect of any such requirements regulations or bye-laws notified to Holmbury by the Customer on or before the making of the contract is hereby excluded. **10: PRODUCT LIABILITY AND DISCLAIMER OF CONSEQUENTIAL DAMAGES** (a) The Customer will, on or before delivery of the Goods as herein provided, if so requested by Holmbury, enter into a written undertaking to take such steps as may be specified to the Customer by Holmbury, and set out in such undertaking relating to the safe and proper use of the Goods, without risk to health. The Customer shall indemnify Holmbury in respect of any liability, monetary penalty, or fine in respect of, or in connection. (b) IN NO EVENT SHALL HOLMBURY BE LIABLE FOR CONSEQUENTIAL DAMAGES ARISING OUT OF OR IN CONNECTION WITH THIS AGREEMENT AND/OR ANY SALE OF GOODS TO CUSTOMER, INCLUDING, WITHOUT LIMITATION, BREACH OF ANY OBLIGATION IMPOSED ON HOLMBURY HEREUNDER OR IN CONNECTION HERewith. CONSEQUENTIAL DAMAGES FOR PURPOSES HEREOF SHALL INCLUDE, WITHOUT LIMITATION, LOSS OF USE, INCOME OR PROFIT, OR LOSSES SUSTAINED AS THE RESULT OF INJURY; INCLUDING DEATH TO ANY PERSON, OR LOSS OF OR DAMAGE TO PROPERTY (INCLUDING, WITHOUT LIMITATION, PROPERTY HANDLED OR PROCESSED BY THE USE OF THE GOODS). CUSTOMER SHALL INDEMNIFY HOLMBURY AGAINST ALL LIABILITY, COST OR EXPENSE WHICH MAY BE SUSTAINED BY SELLER ON ACCOUNT OF ANY SUCH LOSS, DAMAGE OR INJURY. **11: LIMITATION OF LIABILITY** HOLMBURY'S LIABILITY (WHETHER UNDER THE THEORIES OF BREACH OF CONTRACT OR WARRANTY, NEGLIGENCE, OR STRICT LIABILITY) FOR ITS GOODS SHALL BE LIMITED TO REPAIRING OR REPLACING PARTS FOUND BY HOLMBURY TO BE DEFECTIVE OR AT HOLMBURY'S OPTION, TO REFUNDING THE PURCHASE PRICE OF SUCH GOODS OR PARTS THEREOF. CUSTOMER WILL SEND, AT HOLMBURY'S SOLE EXPENSE, ANY ALLEGEDLY DEFECTIVE PARTS AS INSTRUCTED BY HOLMBURY. **12: DRAWINGS, DESCRIPTION, ETC** All drawings, photographs, illustrations, specifications, performance data, dimensions, weights and all the like, whether contained in the contract or made by way of representation, have been provided by Holmbury in the belief that they are as accurate as reasonably possible, but they do not constitute a description of the Goods, shall not be taken to be representations made by Holmbury, and are not warranted to be accurate. **13: TERMINATION OF THE CONTRACT** (a) Without prejudice to any other rights which Holmbury may have, Holmbury shall be entitled, on giving written notice to the Customer, to determine any contract forthwith demand immediate payment of any amount due or accruing due to Holmbury thereunder, and to retain any deposits if any of the following circumstances occur: (i) The Customer becomes bankrupt or compounds or makes any arrangements with his creditors or commits any act of bankruptcy; (ii) The Customer goes into liquidation whether compulsory or voluntary (save for the purpose of reconstruction or amalgamation) or has a receiver appointed, of its undertaking or assets or any part thereof. (b) On termination of the contract by Holmbury under sub-clause (a) of this clause, Holmbury shall have a general lien over all materials and property belonging to the Customer, which are in the possession of Holmbury for any sum due under, or in connection with, this contract or any other contract. Holmbury shall be entitled to sell such materials or property and to re-sell the Goods. **14: FORCE MAJEURE** In the event of any delay affecting the performance of this contract by reason of any cause arising from, or attributable to acts, events, the non-occurrence of events, omissions or other accidents or matters beyond the reasonable control of Holmbury, including but not limited to the following matters, whether affecting Holmbury's own operation or those of any supplier, sub-contractor or transport contractor; (i) strikes, lockouts or any other labor disputes (regardless of the reasonableness of the demands of labor or management or shortage of labor); (ii) civil commotion, riots, invasion, war or warlike state (whether war be declared or not) or the breaking off of diplomatic relations or sabotage; (iii) fire, explosion, storm, flood, earthquake, fog, subsidence, epidemics and/or pandemics; (iv) voluntary or mandatory compliance with any directions or order of any person having or appearing to have authority of the Government, whether local or national, for defense or other statutory or national purposes; (v) inability, difficulty or delay in obtaining, or shortages of suitable raw materials, equipment, fuel, power, components or transportation. Holmbury shall be under no liability for loss or injury suffered by the Customer thereby; and the contract shall be suspended during such delay, upon the cessation of the cause of the delay, the contract shall again become operative, provided that, if as a result of such delay, a modification of the terms of the contract or cancellation thereof is requested by one party, and it is reasonable that such modification or cancellation should be made, the contract shall be so modified or cancelled, and in the case of cancellation a proper proportion of the price shall be paid for any expenditure incurred by Holmbury or any benefit conferred upon the Customer. **15: INDUSTRIAL PROPERTY** The Customer shall indemnify Holmbury from all claims, demands, damage, penalties, costs, expenses or liability in respect of the infringement of any letters patent, registered design, design copyright, copyright or other industrial property right or breach of confidence (not being a breach by Holmbury), resulting from or arising in the performance of this contract or of any contract in accordance with the terms of this contract. Holmbury does not warrant that the supply or use of the Goods in the United States of America or elsewhere is not an infringement of the rights of third parties in industrial property. **16: MISCELLANEOUS** If any of these conditions, or any part of one of these Conditions is rendered void by any legislation to which it is subject, it shall be void to the extent and no further. If any of these Conditions or any part of one of these Conditions is rendered unenforceable by any legislation to which it is subject, it shall be enforceable to the extent that it is not a fair or reasonable one to be included but no further. **17: LEGAL CONSTRUCTION** Ohio Law Applies. The laws of the State of Ohio, without giving effect to its principles of conflicts of law, govern all proceedings arising out of these Terms and Conditions. The parties agree that any litigation arising out of these Terms and Conditions or concerning the rights and obligations hereunder, shall be commenced and maintained in the appropriate court located in and having jurisdiction over Cuyahoga County, Ohio. **18: PRIVACY POLICY** The Customer has read and agrees to the information contained in our Privacy Policy (which can be found on our website or provided upon request).



BRITISH ENGINEERING - GLOBAL PRODUCTION - WORLD CLASS

Distributor details:

HOLMBURY LTD

Premier House, 1 Vale Rise, Tonbridge,
Kent, TN9 1TB United Kingdom
Tel: **+44 (0) 1732 378912**
Email: sales@holmbury.com
www.holmbury.com

HOLMBURY INC

33801 Curtis Blvd, Suite 104,
Eastlake, OH 44095 United States of America
Tel: **+1 (866) 465-6287**
Email: couplings@holmburyusa.com
www.holmbury.com



www.holmbury.com

